



For Husqvarna Parts Call 606-678-9623 or 606-561-4983



SERVICE 		5
		I0400092

IPL, 340, 345, 350, 340 EPA, 345 EPA, 350 EPA, 2004-03, 106 25 18-65

340, 345, 350

340 EPA

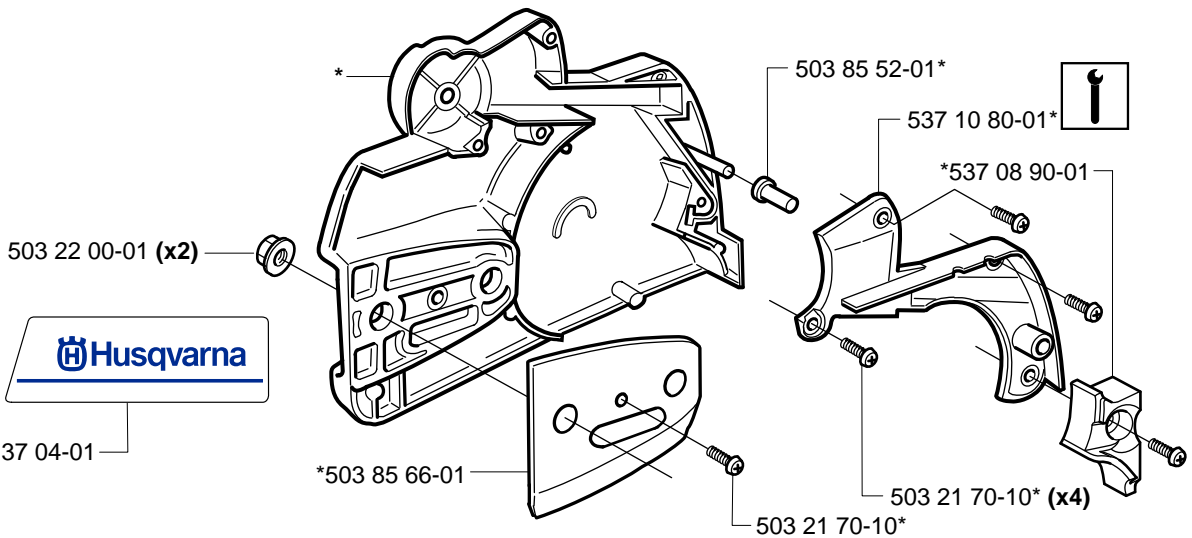
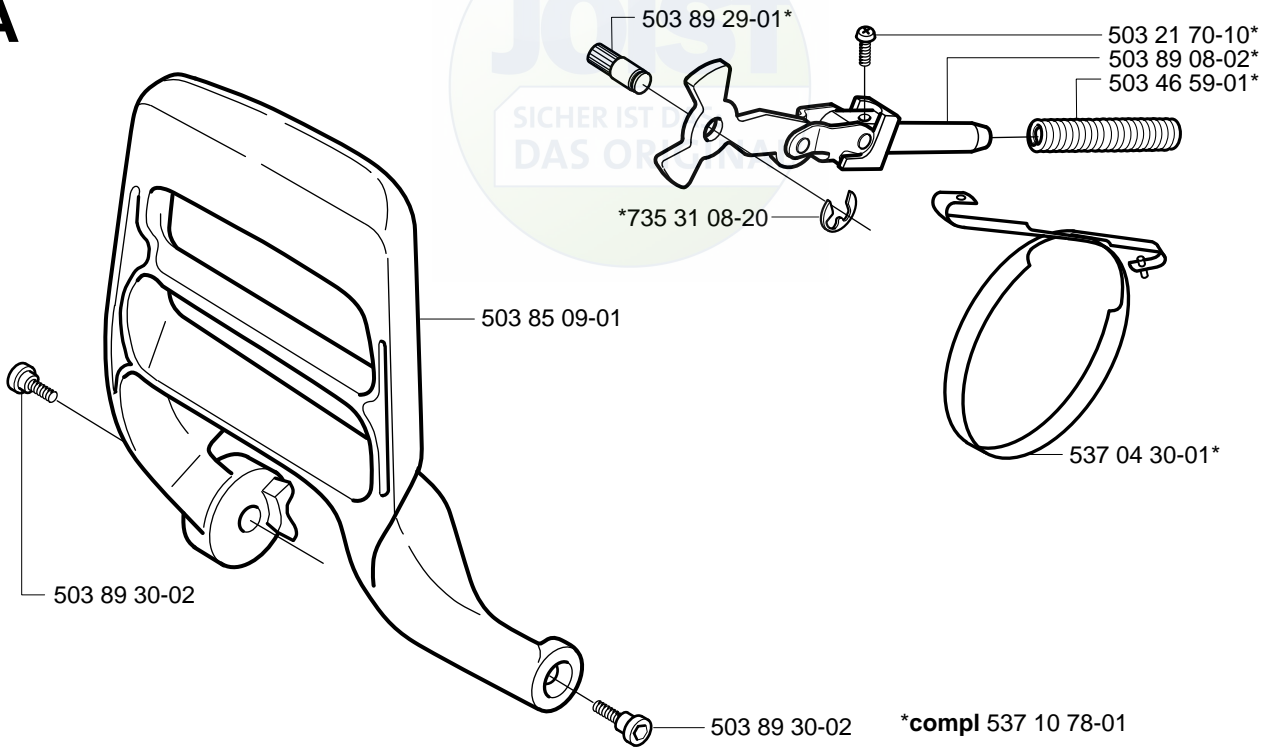
345 EPA

350 EPA

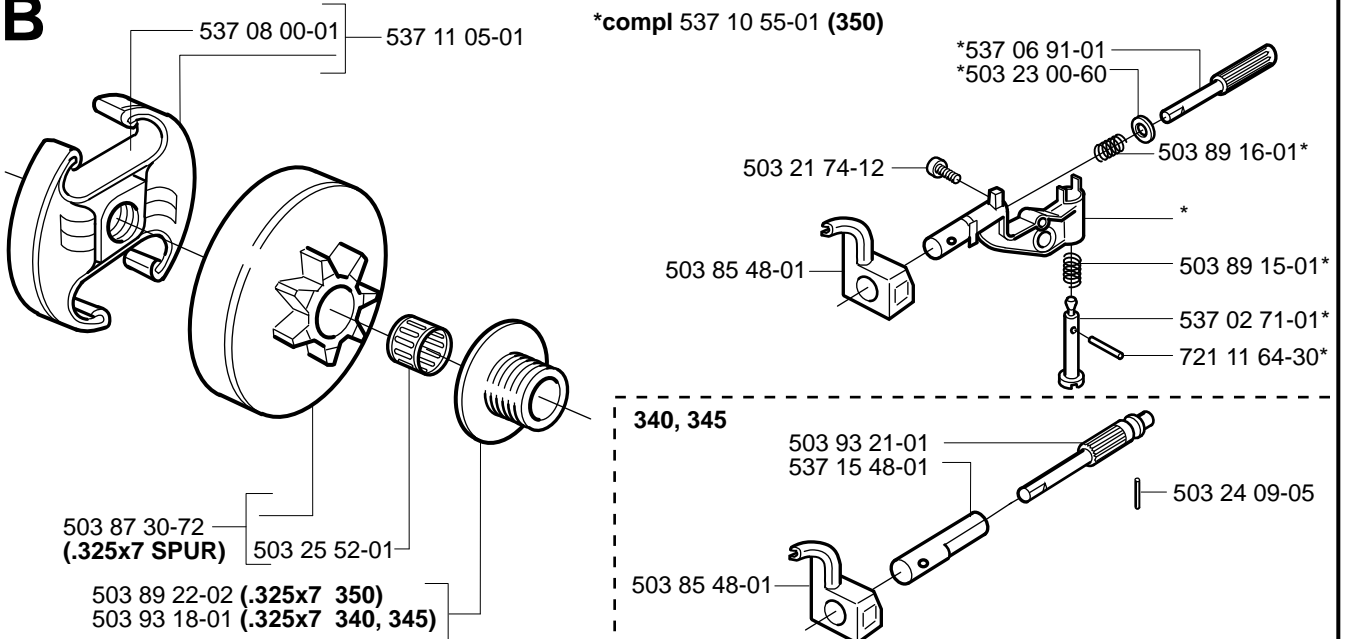
Spare parts	Replaces	
Ersatzteile	Ersetzt	
Pièces détachées	Remplace	
Reserve onderdelen	Vervangt	
Repuestos	Reemplaza	
Reservdelar	Ersätter	106 25 18-64

106 25 18-65

A



B

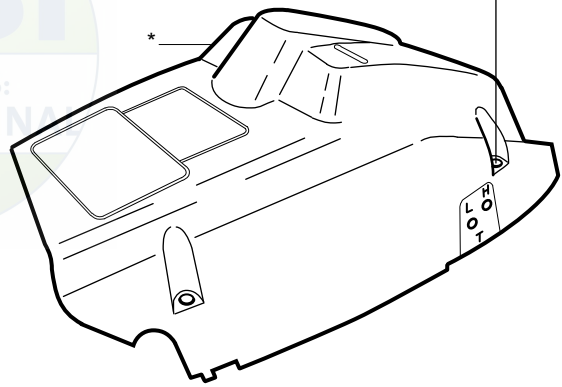


C *compl 503 91 05-01

*503 98 74-01



*503 20 34-25 (x3)

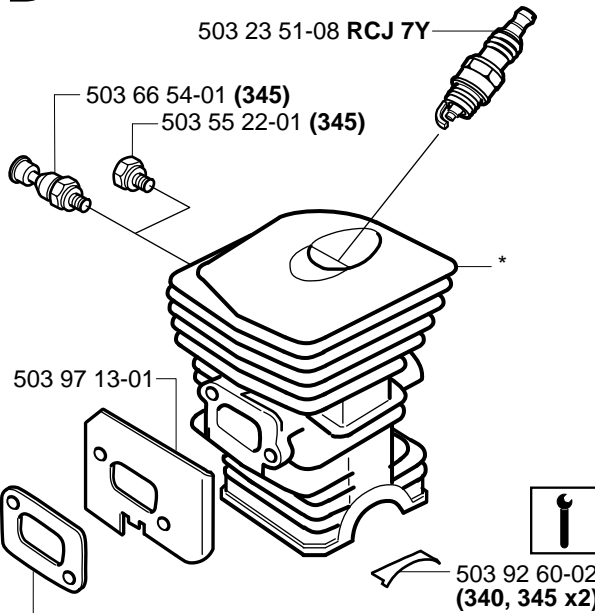


D *compl 503 87 00-76 (340)
*compl 503 87 02-76 (345)

503 23 51-08 RCJ 7Y

503 66 54-01 (345)

503 55 22-01 (345)



503 97 13-01

503 92 60-02 (340, 345 x2)

503 86 25-01 (3)

503 28 90-03 (340)

503 28 90-05 (345)

737 44 10-00 (x2)

compl 503 87 01-71* (340)

compl 503 90 73-71* (345)

503 20 05-32 (x4)*

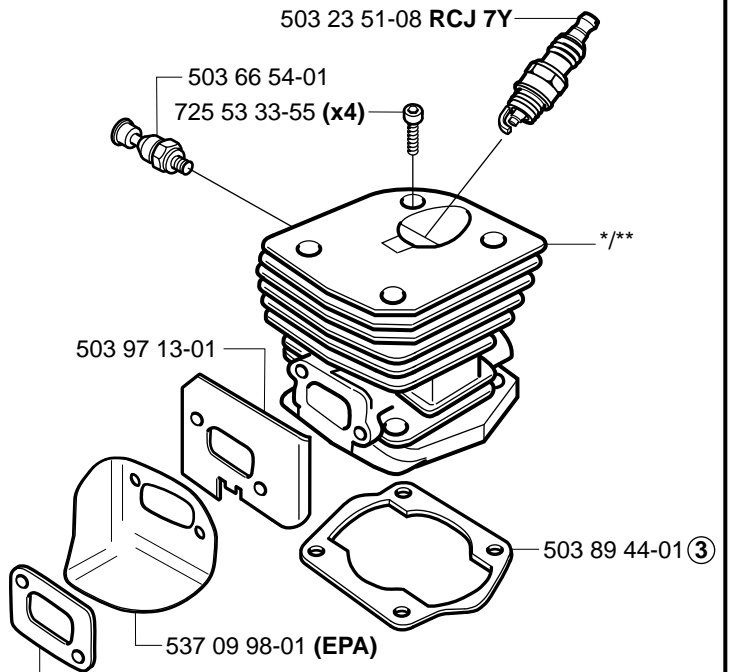
*compl 503 86 99-71 (350)

**compl 537 25 30-02 (350EPA)

503 23 51-08 RCJ 7Y

503 66 54-01

725 53 33-55 (x4)



503 97 13-01

503 89 44-01 (3)

537 09 98-01 (EPA)

503 86 25-01 (3)

503 28 90-10

503 28 90-11 (EPA)

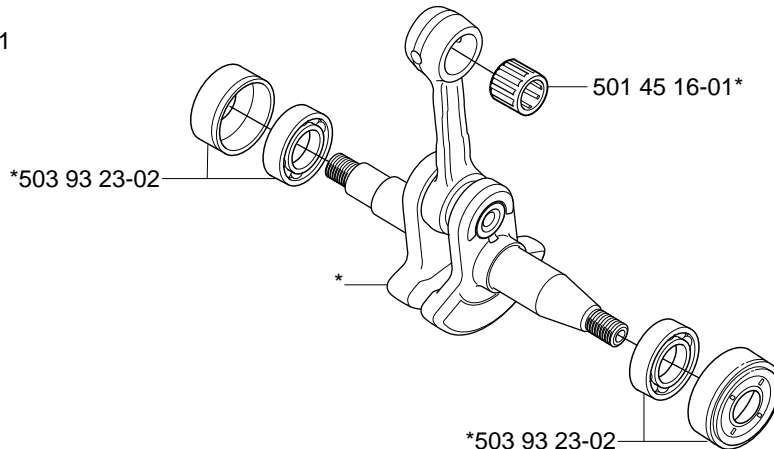
737 44 10-00 (x2)

compl 503 89 96-71* compl 537 22 34-02** (EPA)

E *compl 503 85 80-71

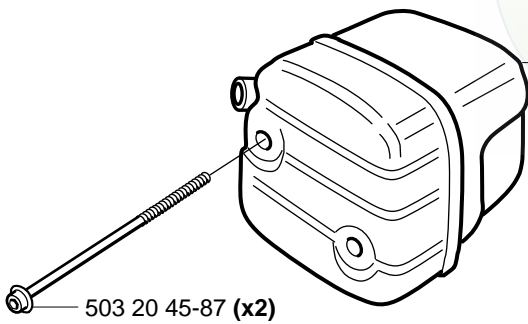
*503 93 23-02

501 45 16-01*

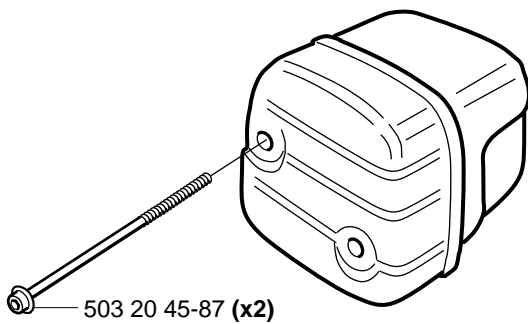


*503 93 23-02

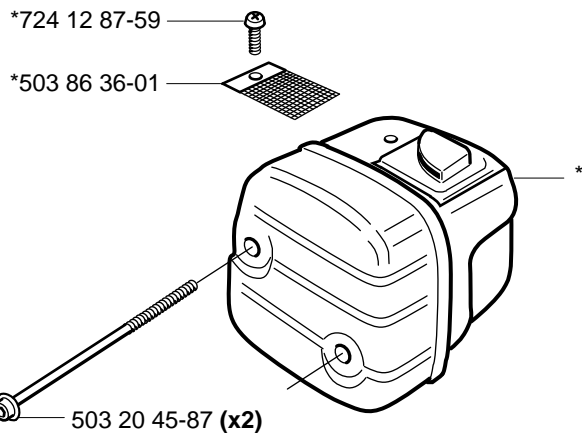
F *compl 503 86 27-03 (EU) 350



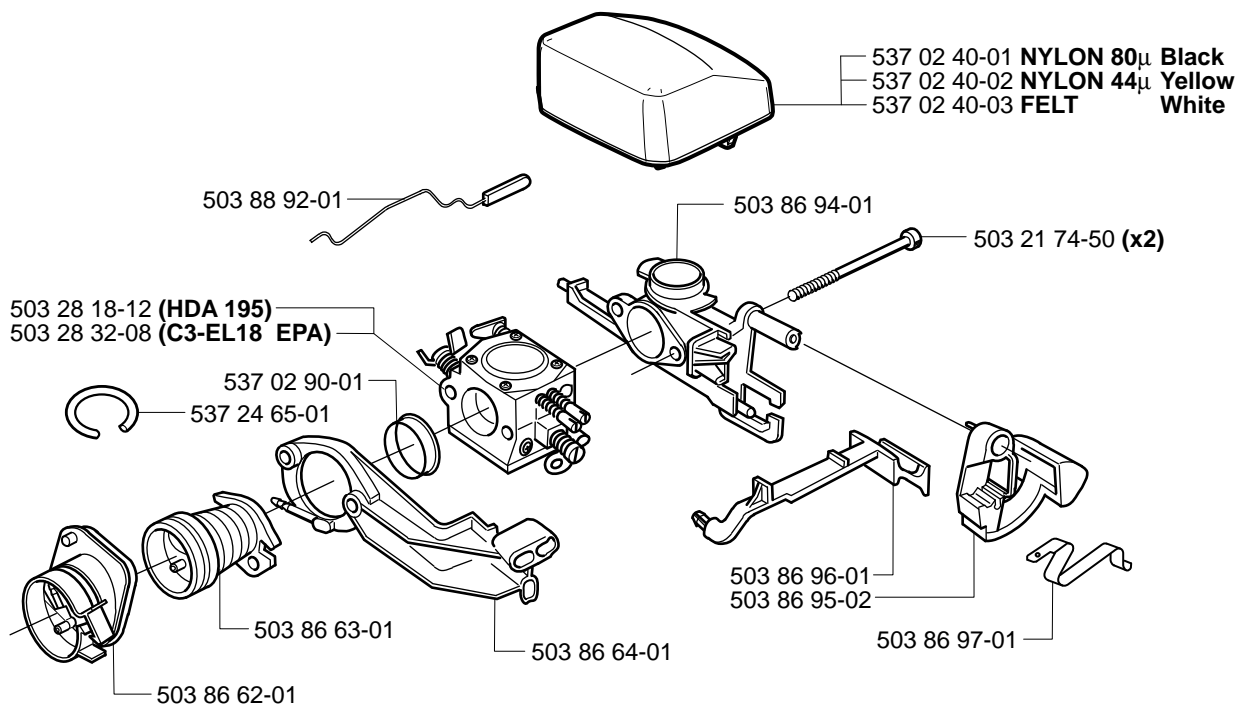
*compl 503 87 96-02 (FG) 340, 345



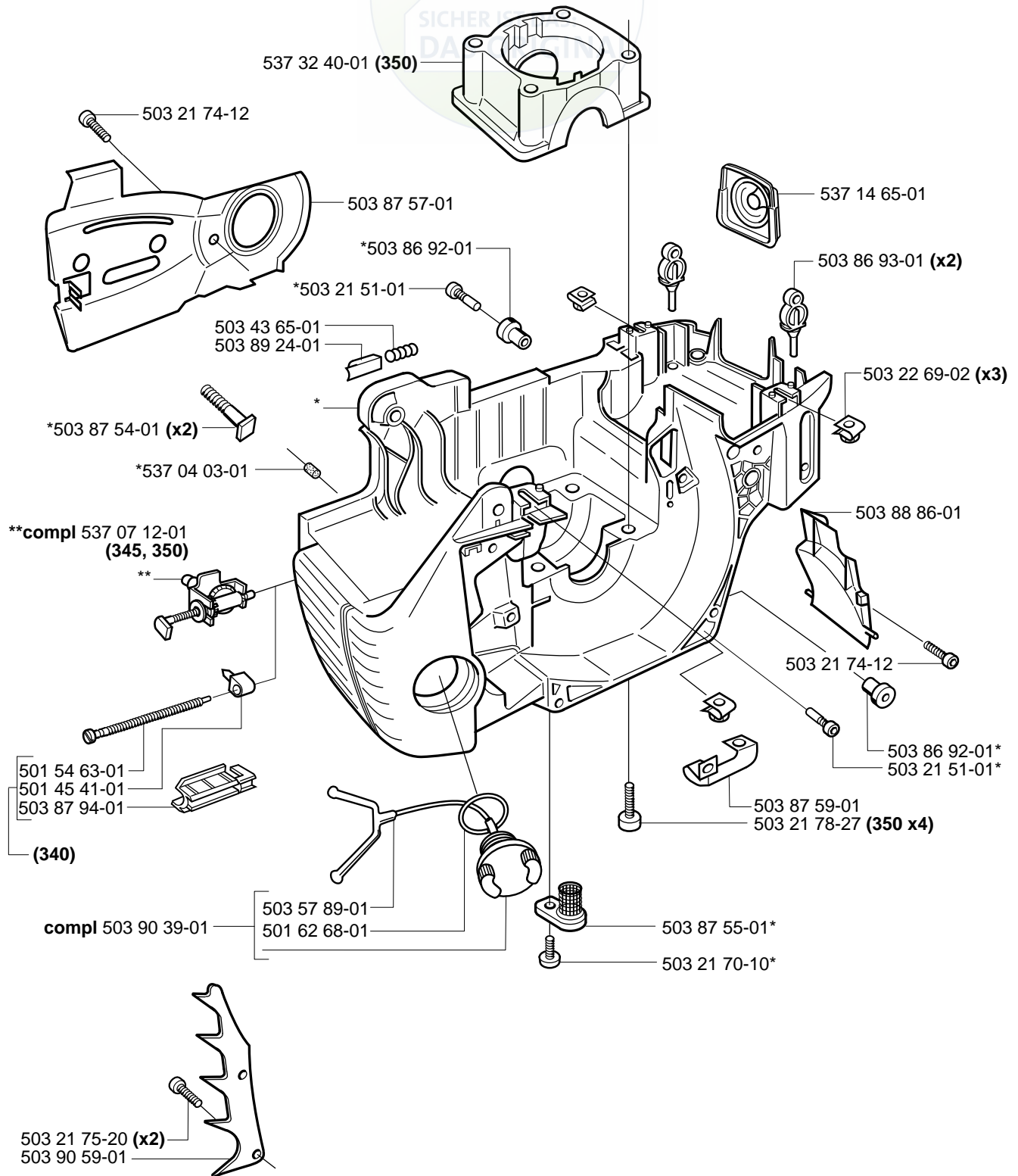
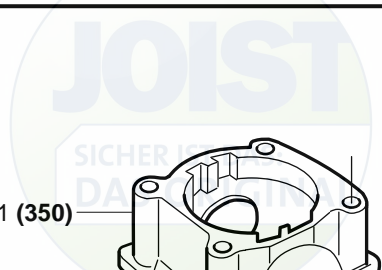
*compl 503 86 28-03 (DF) 340, 345, 350



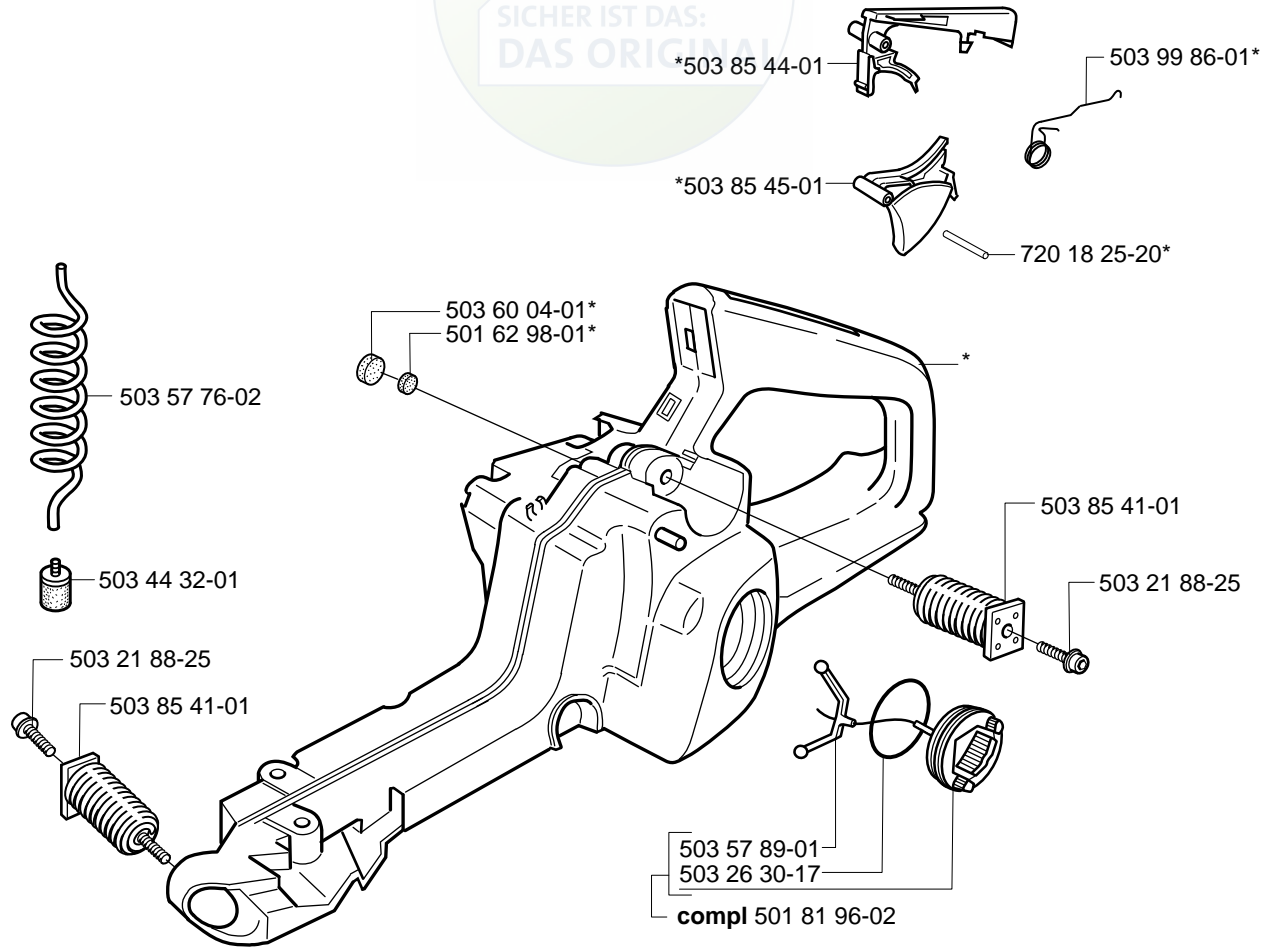
G



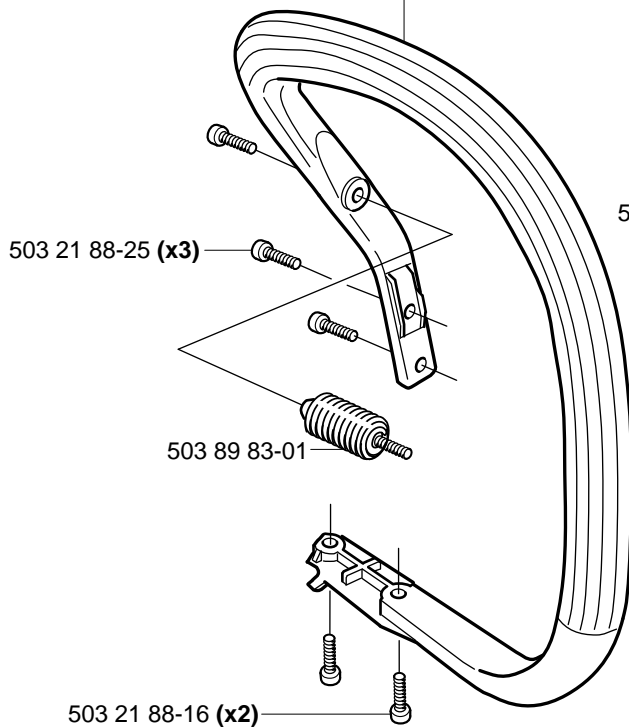
H *compl 537 17 20-01



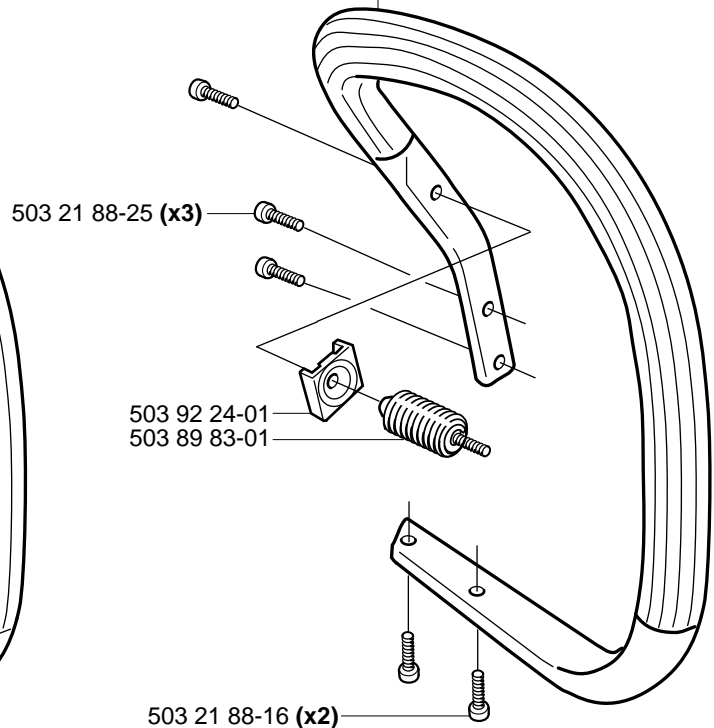
J *compl 503 86 37-71



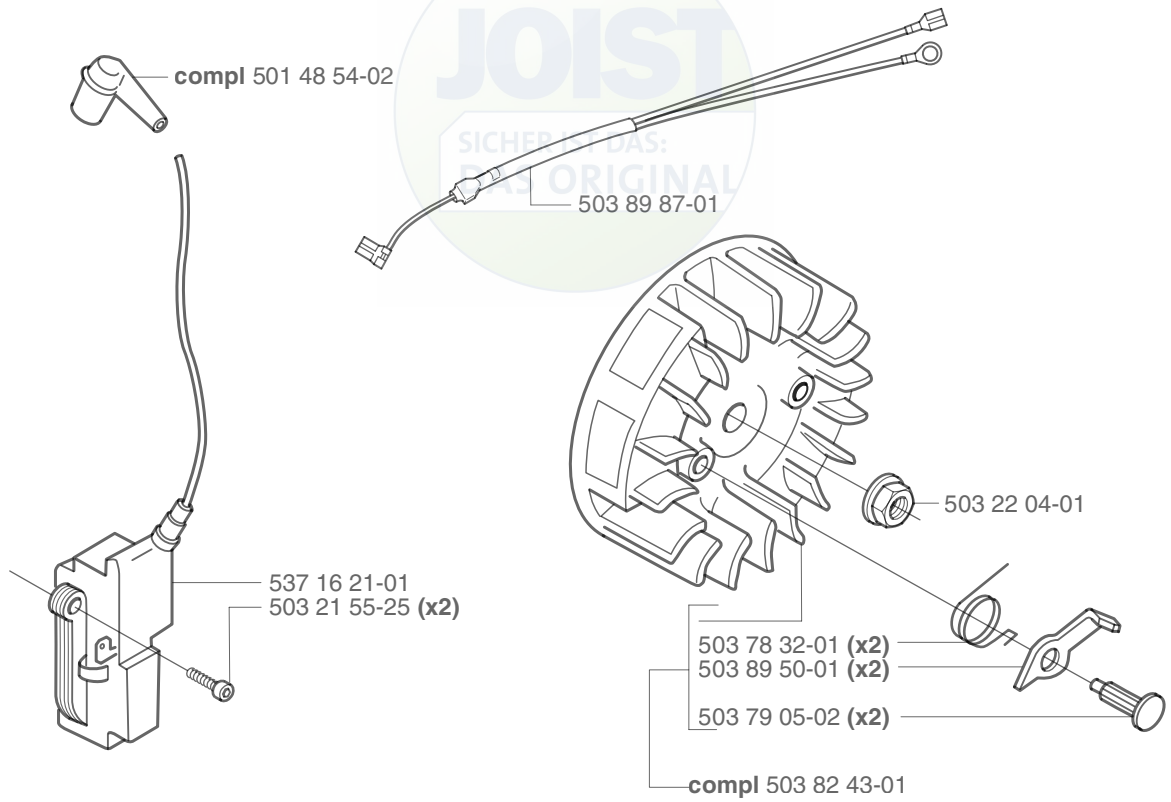
K 503 85 37-01 (340, 345)



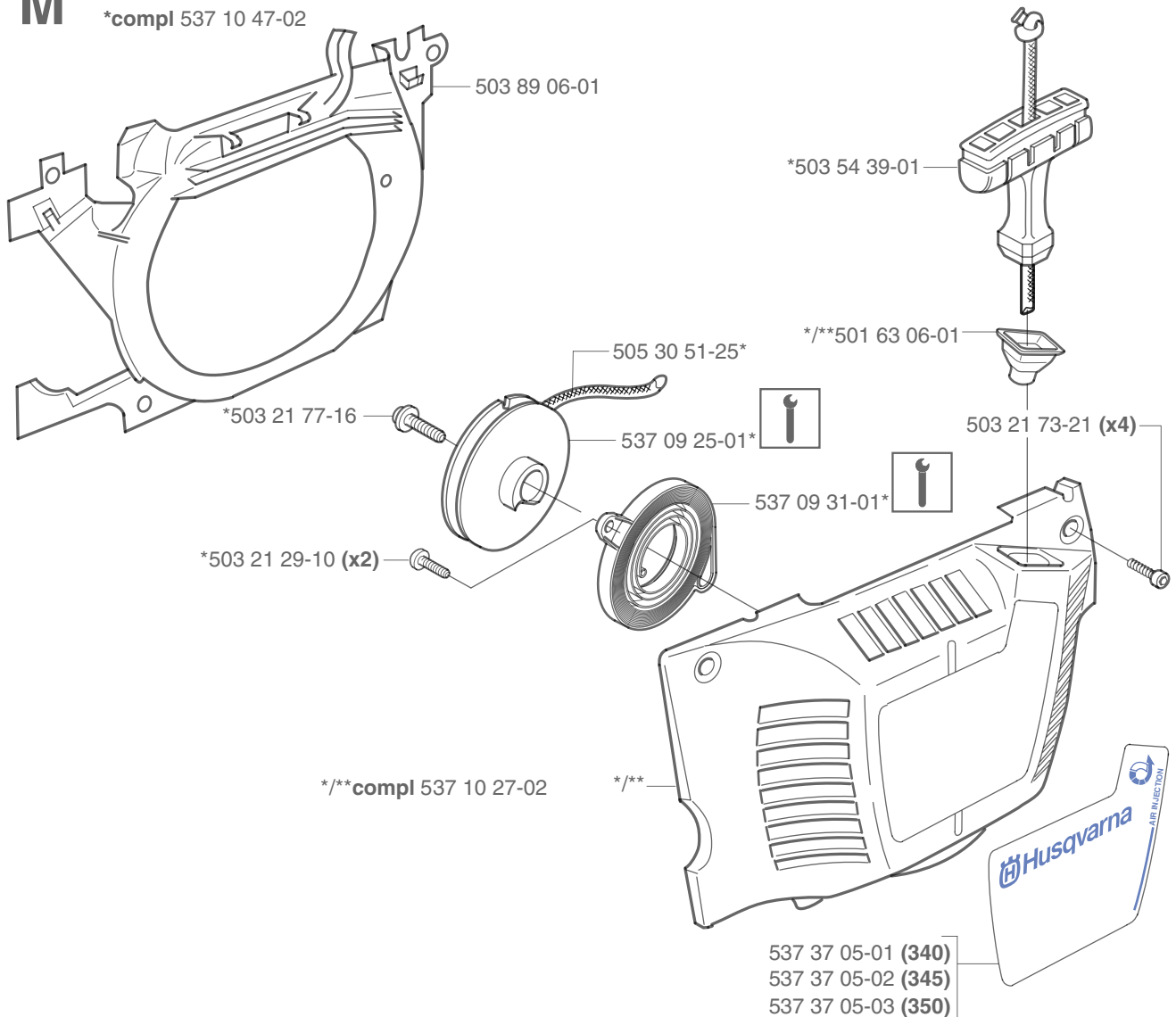
503 90 93-01 (350)



L

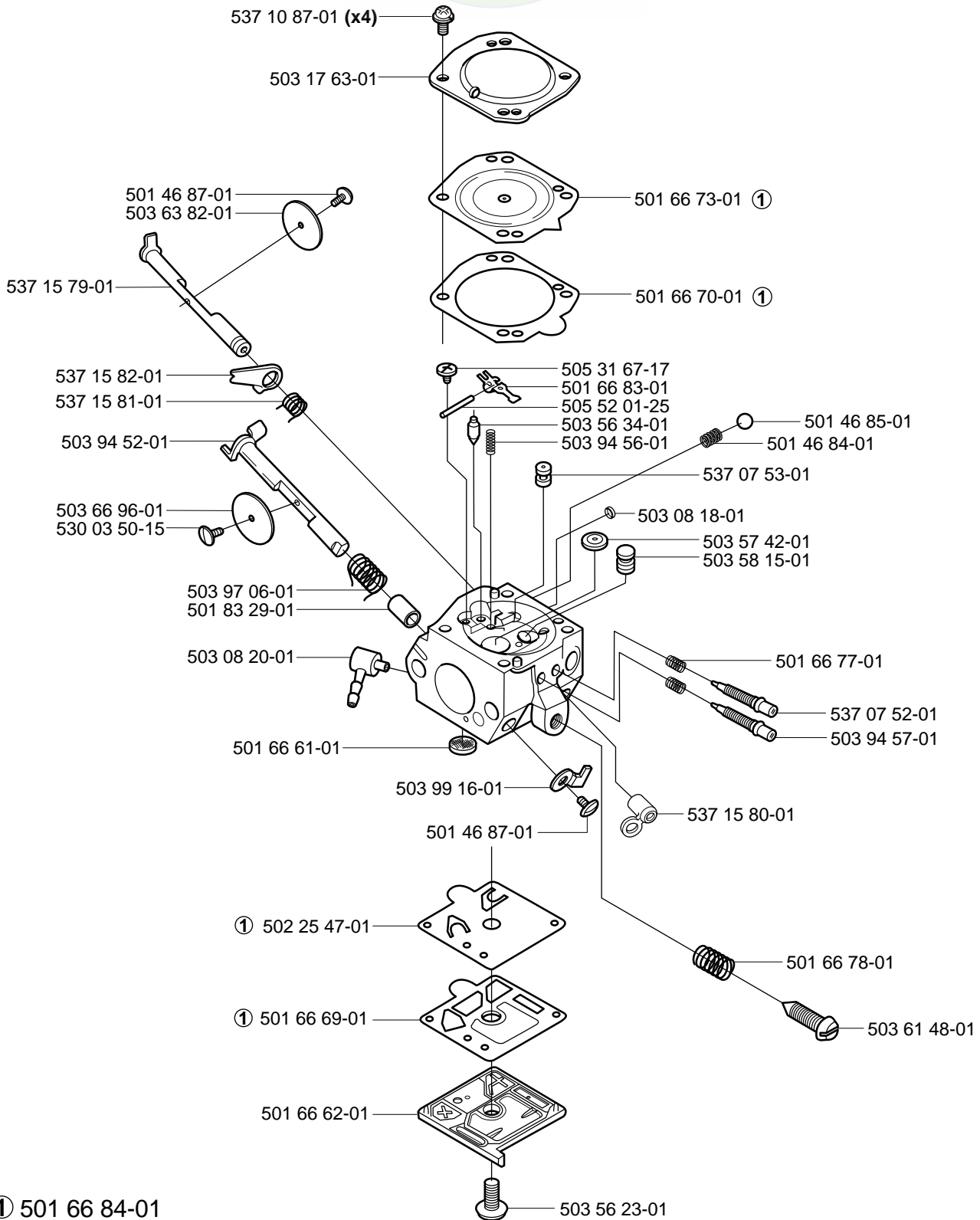


M



N

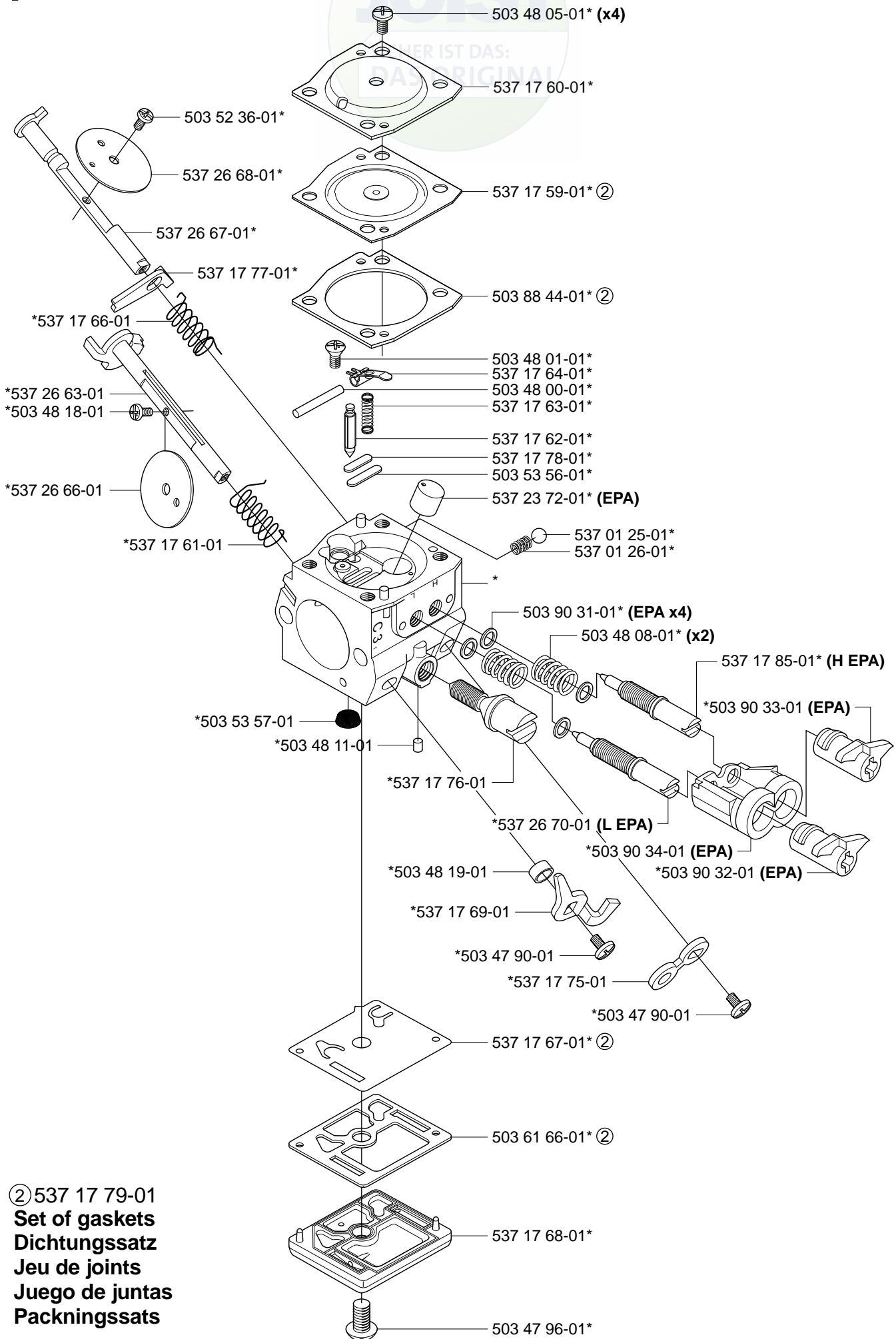
compl 503 28 18-12 Walbro HDA 195



① 501 66 84-01
Set of gaskets
Dichtungssatz
Jeu de joints
Juego de juntas
Packningssats

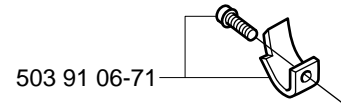
P *compl 503 28 32-08 ZAMA C3-EL18 (EPA)

ZAMA C3-EL18



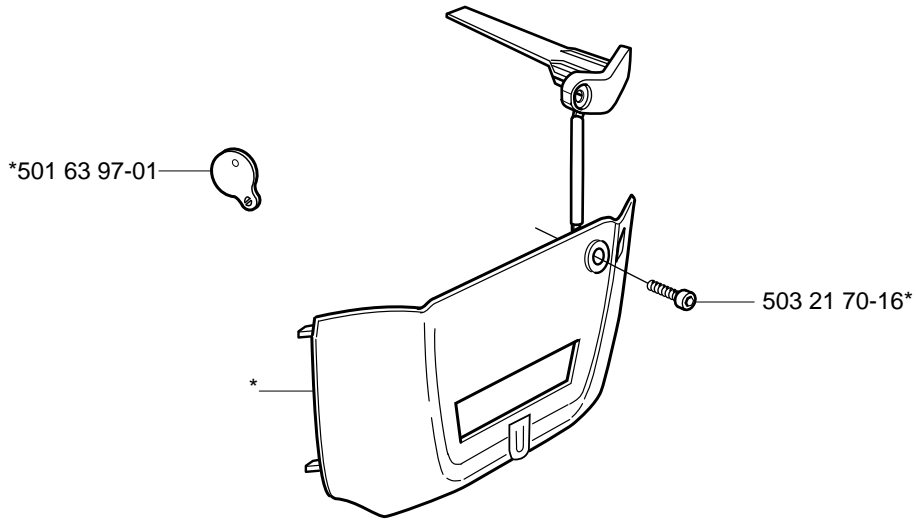
② 537 17 79-01
Set of gaskets
Dichtungssatz
Jeu de joints
Juego de juntas
Packningssats

Q Tillbehör
Accessories
Zubehöre
Accessoires
Accesorios



Winter kit

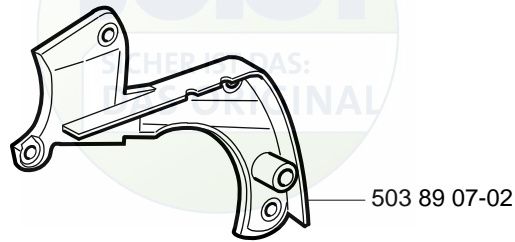
*compl 537 04 28-02



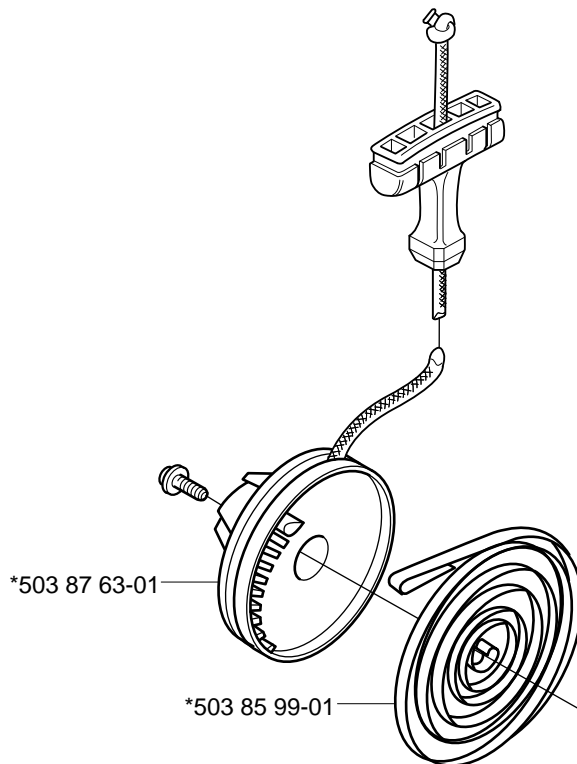
R



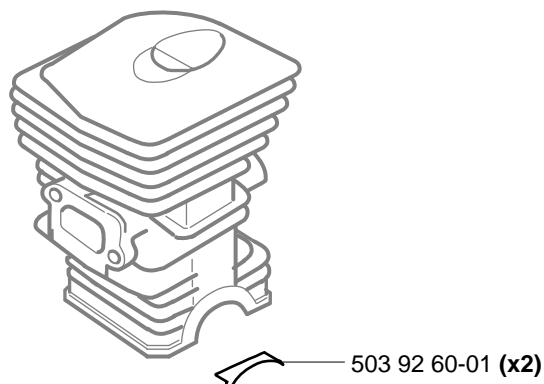
Up to 991499999



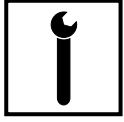
Up to 010604200 (340)
Up to 010602850 (345)
Up to 010702450 (350)



Up to 000601101 (340, 345)

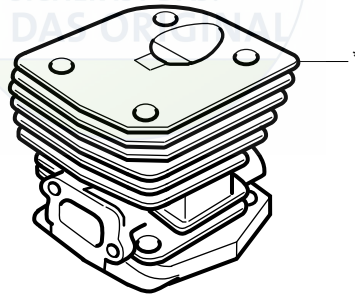


R



**Up to 030103001
Only EPA (350)**

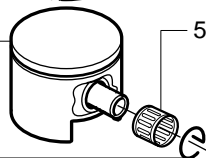
*compl 503 89 99-71 (350)



503 28 90-10



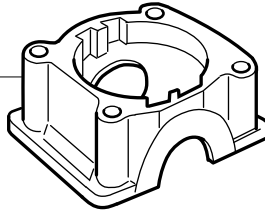
501 45 16-01*



737 44 10-00 (x2)

compl 503 89 96-71*

537 32 40-01 (350)



PART NUMBER	SQUARE NOTE	PART NUMBER	SQUARE NOTE	PART NUMBER	SQUARE NOTE	PART NUMBER	SQUARE NOTE
501 45 16-01	D,E,R	503 53 56-01	P	503 89 96-71	D,R	537 17 64-01	P
501 45 41-01	H	503 53 57-01	P	503 90 31-01	P	537 17 66-01	P
501 46 84-01	N	503 54 39-01	M	503 90 32-01	P	537 17 67-01	P 2
501 46 85-01	N	503 55 22-01	D	503 90 33-01	P	537 17 68-01	P
501 46 87-01	N	503 56 23-01	N	503 90 34-01	P	537 17 69-01	P
501 48 54-02	L	503 56 34-01	N	503 90 39-01	H	537 17 75-01	P
501 54 63-01	H	503 57 76-02	J	503 90 59-01	H	537 17 76-01	P
501 62 68-01	H	503 57 89-01	H,J	503 90 73-71	D	537 17 77-01	P
501 62 98-01	J	503 58 15-01	N	503 90 93-01	K	537 17 78-01	P
501 63 06-01	M	503 60 04-01	J	503 91 05-01	C	537 17 79-01	P 2=Compl
501 63 97-01	Q	503 61 48-01	N	503 91 06-71	Q	537 17 85-01	P EPA
501 66 61-01	N	503 61 66-01	P 2	503 92 24-01	K N	537 22 34-02	D EPA
501 66 62-01	N	503 63 82-01	N	503 92 60-01	R	537 23 72-01	P N,EPA
501 66 69-01	N 1	503 66 54-01	D	503 92 60-02	D	537 24 65-01	G
501 66 70-01	N 1	503 66 96-01	N	503 93 18-01	B	537 25 30-02	D EPA
501 66 73-01	N 1	503 78 32-01	L	503 93 21-01	B	537 26 63-01	P
501 66 77-01	N	503 79 05-02	L	503 93 23-02	E	537 26 66-01	P
501 66 78-01	N	503 82 43-01	L	503 94 28-02	3=Compl	537 26 67-01	P
501 66 83-01	N	503 85 09-01	A	503 94 52-01	N	537 26 68-01	P
501 66 84-01	N 1=Compl	503 85 37-01	K	503 94 56-01	N	537 26 70-01	P EPA
501 69 17-01	Q	503 85 41-01	J	503 94 57-01	N	537 32 40-01	H,R N
501 81 96-02	J	503 85 44-01	J	503 97 06-01	N	537 37 04-01	A N
501 83 29-01	N	503 85 45-01	J	503 97 13-01	D	537 37 05-01	M N
502 25 47-01	N 1	503 85 48-01	B	503 98 74-01	C	537 37 05-02	M N
503 08 18-01	N	503 85 52-01	A	503 99 16-01	N	537 37 05-03	M N
503 08 20-01	N	503 85 66-01	A	503 99 86-01	J	720 18 25-20	J
503 17 63-01	N	503 85 80-71	E	505 30 51-25	M	721 11 64-30	B
503 20 05-32	D	503 85 99-01	R	505 31 67-17	N	724 12 87-59	F
503 20 34-25	C	503 86 25-01	D 3	505 52 01-25	N	725 53 33-55	D N
503 20 45-87	F N	503 86 27-03	F N	507 57 42-01	N	735 31 08-20	A
503 21 29-10	M	503 86 28-03	F N	530 03 50-15	N	737 44 10-00	D,R
503 21 51-01	H	503 86 36-01	F	537 01 25-01	P		
503 21 55-25	L N	503 86 37-71	J	537 01 26-01	P		
503 21 70-10	A,H	503 86 62-01	G	537 02 40-01	G		
503 21 70-16	Q	503 86 63-01	G	537 02 40-02	G		
503 21 73-21	M	503 86 64-01	G	537 02 40-03	G		
503 21 74-12	B,H	503 86 92-01	H	537 02 71-01	B		
503 21 74-50	G	503 86 93-01	H	537 02 90-01	G		
503 21 75-20	H	503 86 94-01	G	537 04 03-01	H		
503 21 77-16	M	503 86 95-02	G	537 04 28-02	Q N		
503 21 78-27	H	503 86 96-01	G	537 04 30-01	A		
503 21 88-16	K	503 86 97-01	G	537 06 91-01	B		
503 21 88-25	J,K	503 86 99-71	D,R	537 07 12-01	H		
503 22 00-01	A	503 87 00-76	D	537 07 52-01	N		
503 22 04-01	L	503 87 01-71	D	537 07 53-01	N		
503 22 69-02	H	503 87 02-76	D	537 08 00-01	B		
503 23 00-60	B	503 87 30-72	B	537 08 90-01	A		
503 23 51-08	D	503 87 54-01	H	537 09 25-01	M		
503 24 09-05	B	503 87 55-01	H	537 09 31-01	M		
503 25 52-01	B	503 87 57-01	H	537 09 98-01	D N,EPA		
503 26 30-17	J	503 87 59-01	H	537 10 27-02	M		
503 28 18-12	G,N	503 87 63-01	R	537 10 47-02	M		
503 28 32-08	G,P EPA	503 87 94-01	H	537 10 55-01	B		
503 28 90-03	D	503 87 96-02	F N	537 10 78-01	A		
503 28 90-05	D	503 88 44-01	P 2	537 10 80-01	A		
503 28 90-10	D,R	503 88 86-01	H	537 10 87-01	N		
503 28 90-11	D EPA	503 88 92-01	G	537 11 05-01	B		
503 43 65-01	H	503 89 06-01	M	537 14 65-01	H		
503 44 32-01	J	503 89 07-02	R	537 15 48-01	B		
503 46 59-01	A	503 89 08-02	A	537 15 79-01	N		
503 47 90-01	P	503 89 15-01	B	537 15 80-01	N		
503 47 96-01	P	503 89 16-01	B	537 15 81-01	N		
503 48 00-01	P	503 89 22-02	B	537 15 82-01	N		
503 48 01-01	P	503 89 24-01	H	537 16 21-01	L		
503 48 05-01	P	503 89 29-01	A	537 17 20-01	H		
503 48 08-01	P	503 89 30-02	A	537 17 59-01	P 2		
503 48 11-01	P	503 89 44-01	D 3	537 17 60-01	P		
503 48 18-01	P	503 89 50-01	L	537 17 61-01	P		
503 48 19-01	P	503 89 83-01	K	537 17 62-01	P		
503 52 36-01	P	503 89 87-01	L	537 17 63-01	P		

1 = 501 66 84-01
 2 = 537 17 79-01
 3 = 503 94 28-02

Set of gaskets, Dichtungssatz,
 Jeu de joints, Juego de juntas,
 Packningssats

N = New part, Neues teil,
 Nouvelle piece, Nueva pieza
 Ny detalj

EPA = Environmental Protection Agency
 (for USA only)