

340 340e 345e 350

Spare parts

Replaces

Ersatzteile

Ersetzt

Pièces détachées

Remplace

Reserve onderdelen

Vervangt

Repuestos

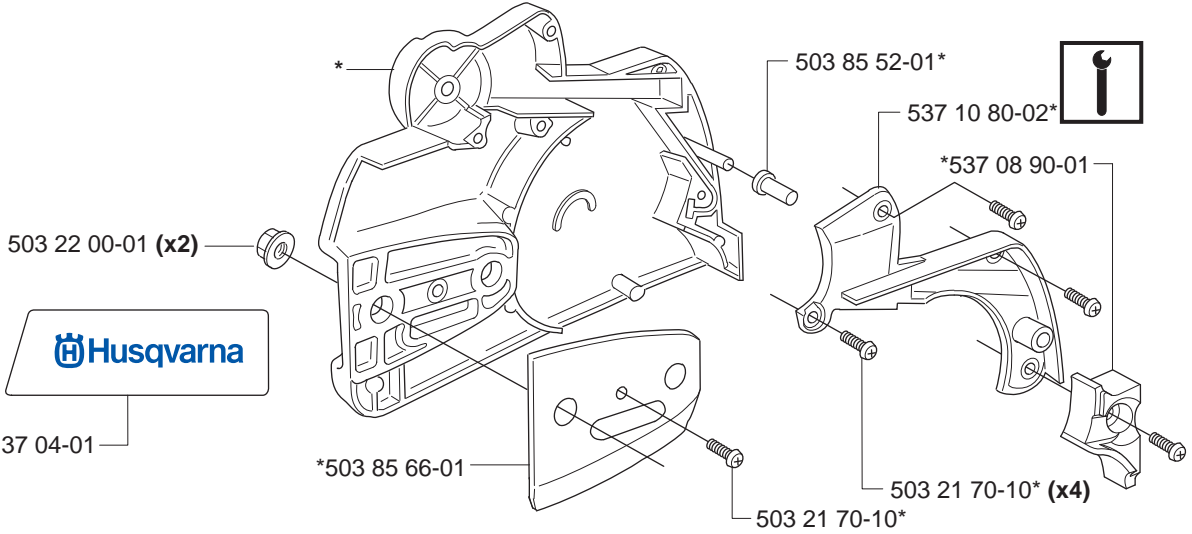
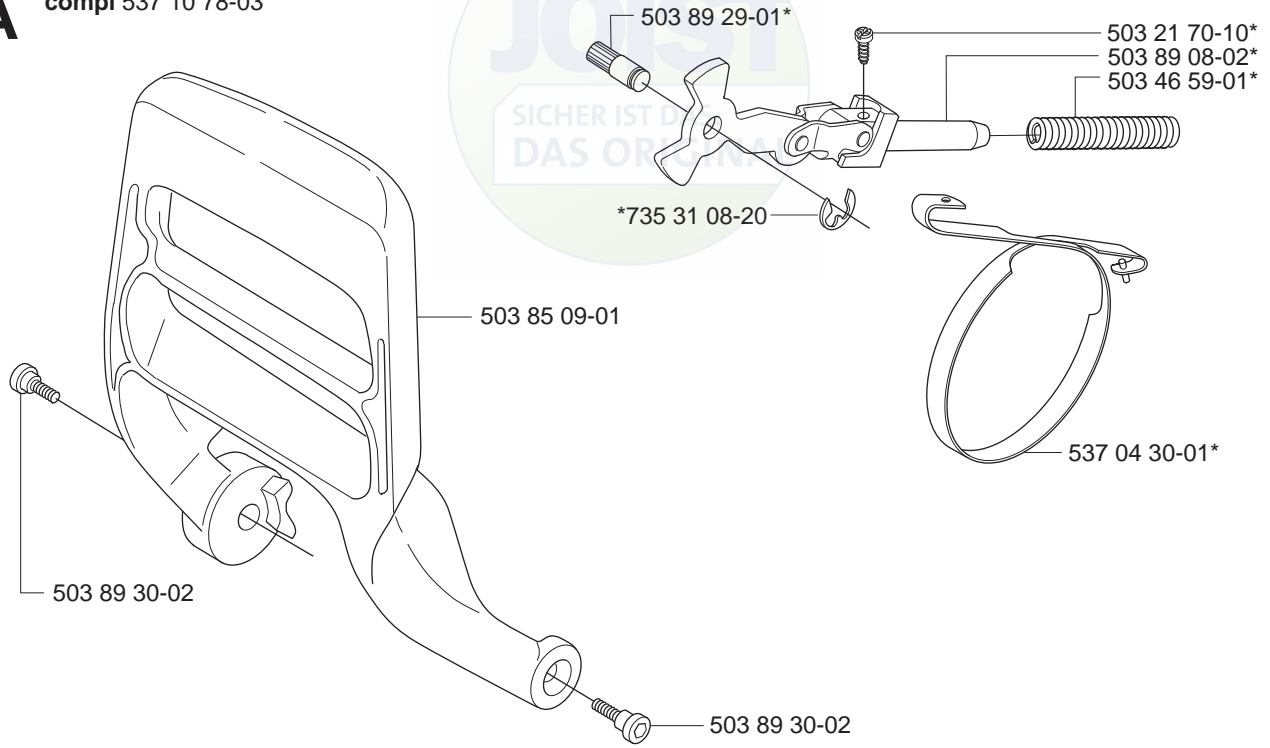
Reemplaza

Reservdelar

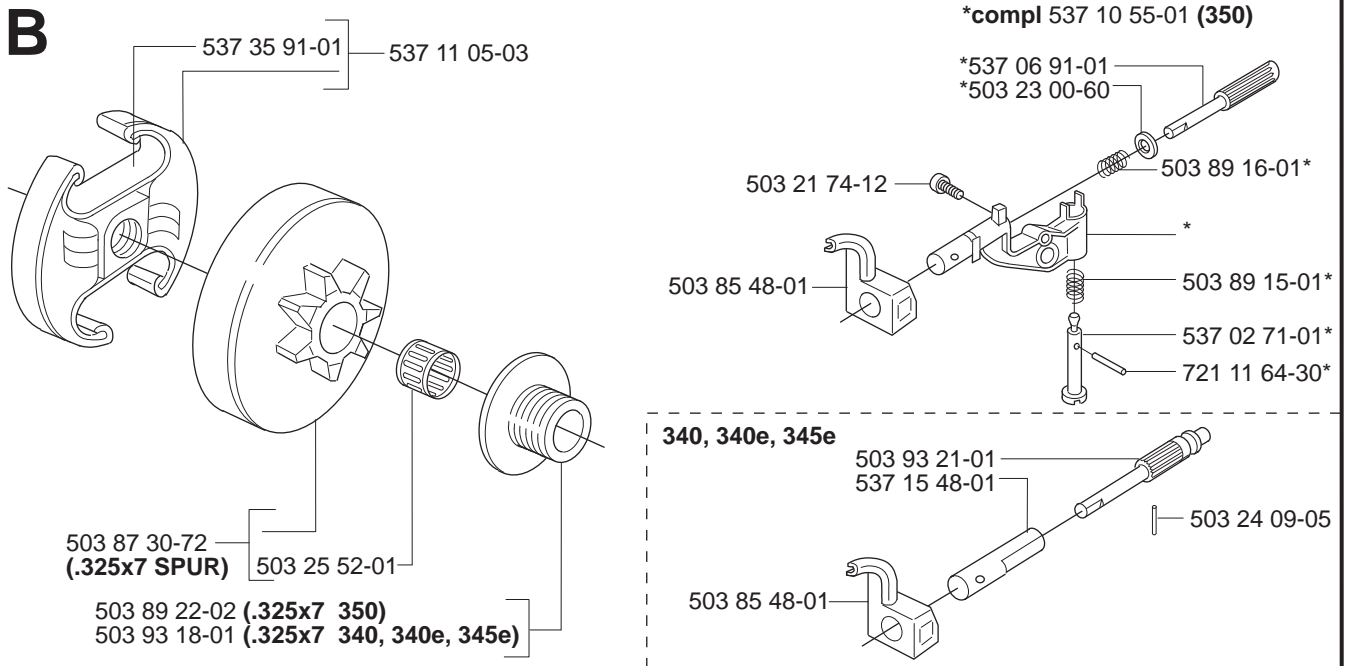
Ersätter

106 25 18-65

A *compl 537 10 78-03

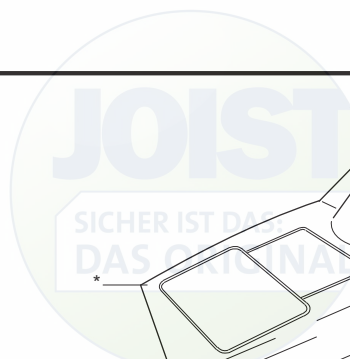


B

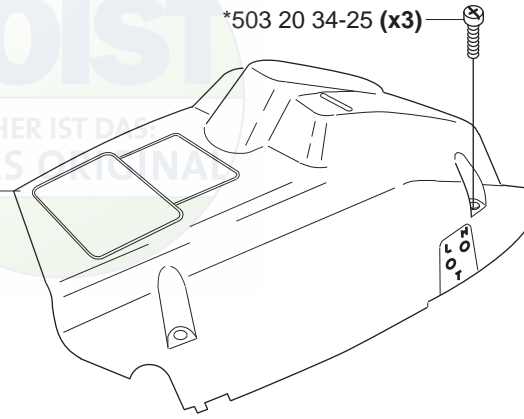


C *compl 503 91 05-01 (340)

*503 98 74-01



*503 20 34-25 (x3)

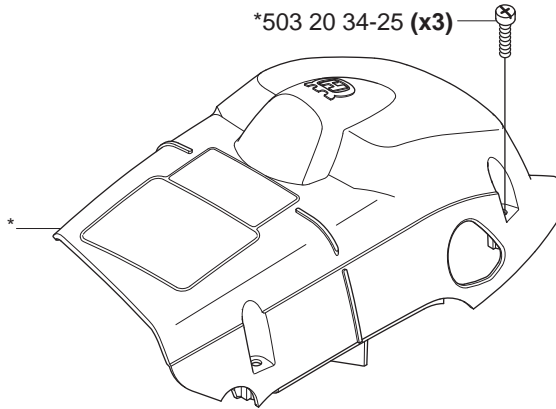


C *compl 537 42 20-01 (340e, 345e)

*503 98 74-01



*503 20 34-25 (x3)

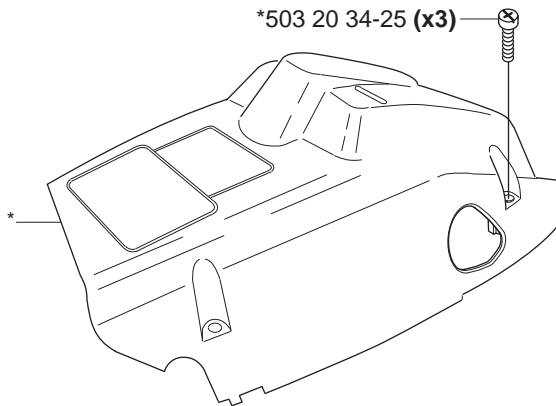


C *compl 537 42 19-01 (350)

*503 98 74-01

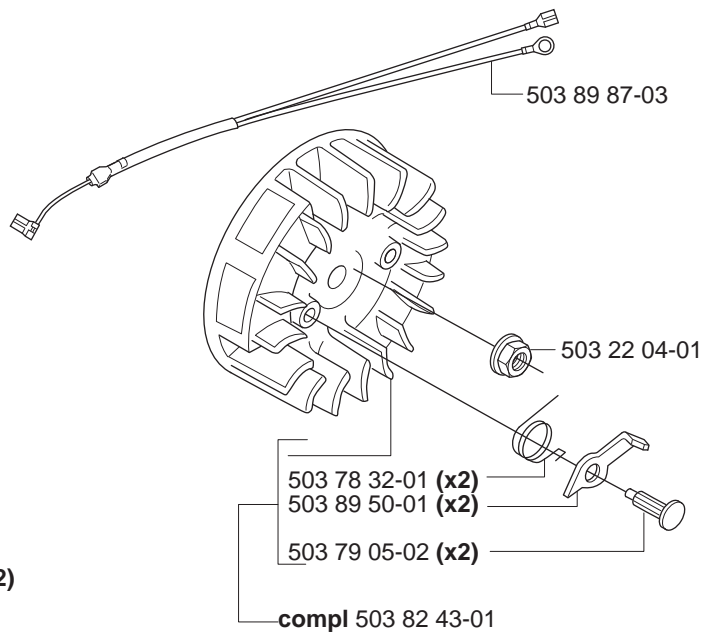
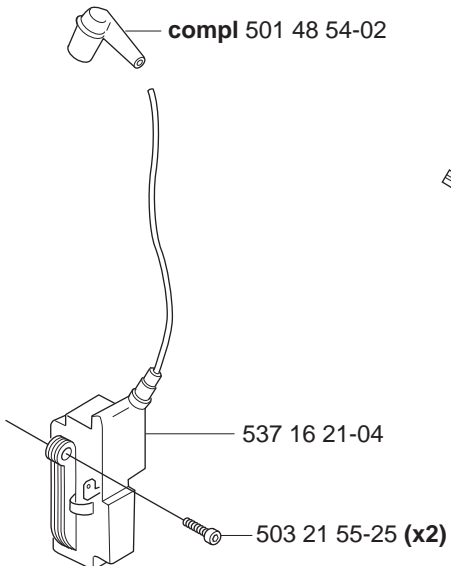


*503 20 34-25 (x3)

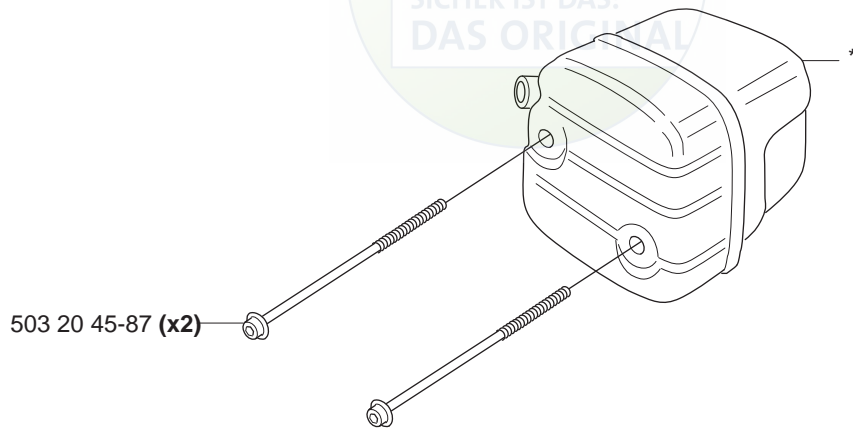


D

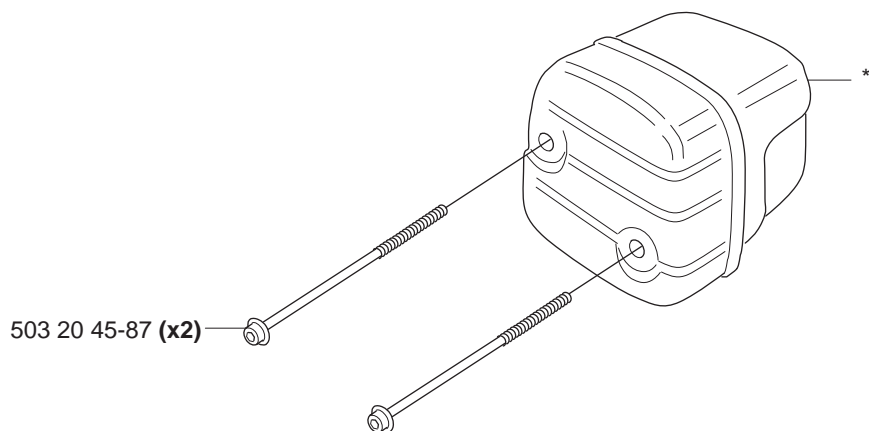
compl 501 48 54-02



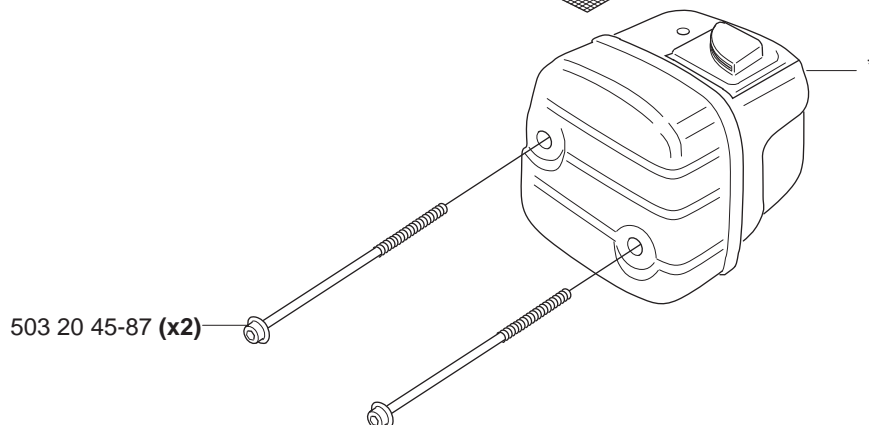
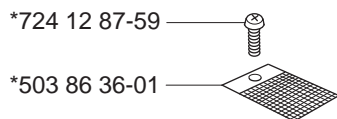
E *compl 503 86 27-03 (EU) 350



E *compl 503 87 96-02 (FG) 340, 340e, 345

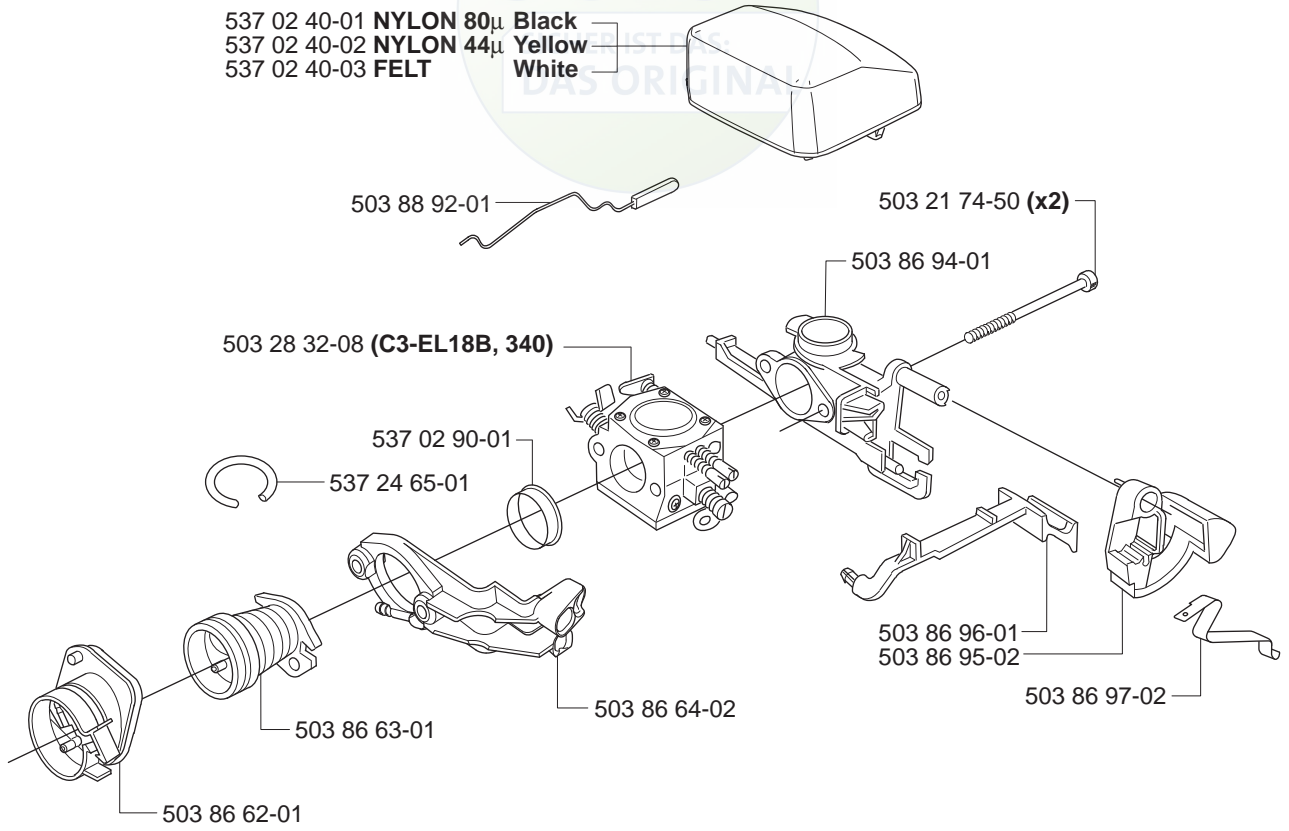


E *compl 503 86 28-03 (DF) 340, 340e, 345, 350



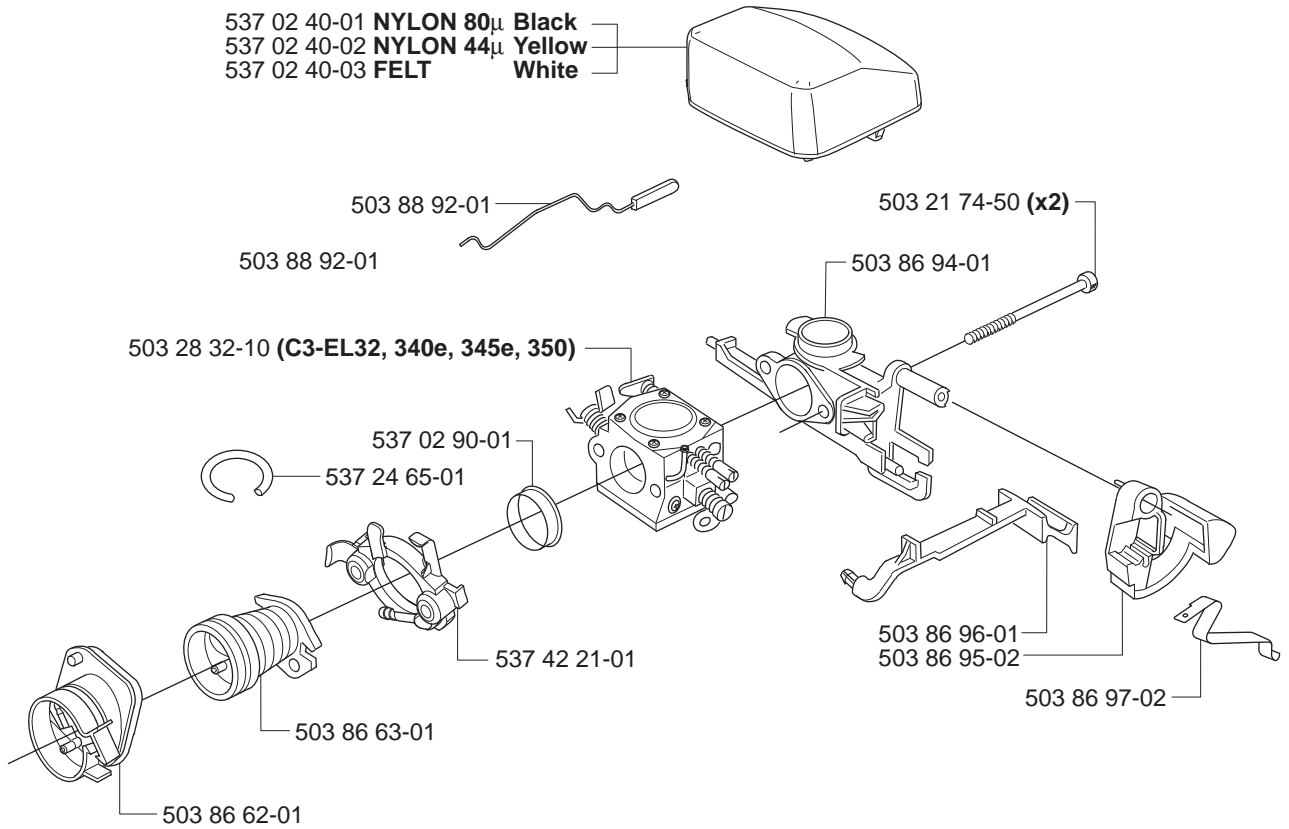
F 340

537 02 40-01 **NYLON 80 μ Black**
 537 02 40-02 **NYLON 44 μ Yellow**
 537 02 40-03 **FELT White**



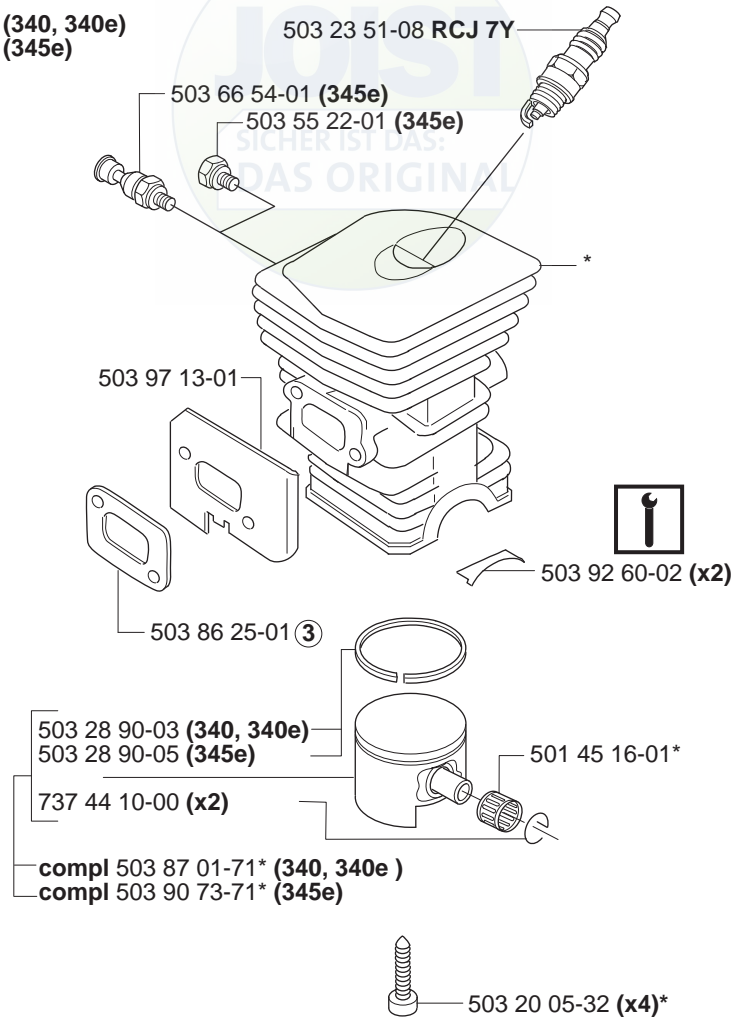
F 340e, 345e, 350

537 02 40-01 **NYLON 80 μ Black**
 537 02 40-02 **NYLON 44 μ Yellow**
 537 02 40-03 **FELT White**



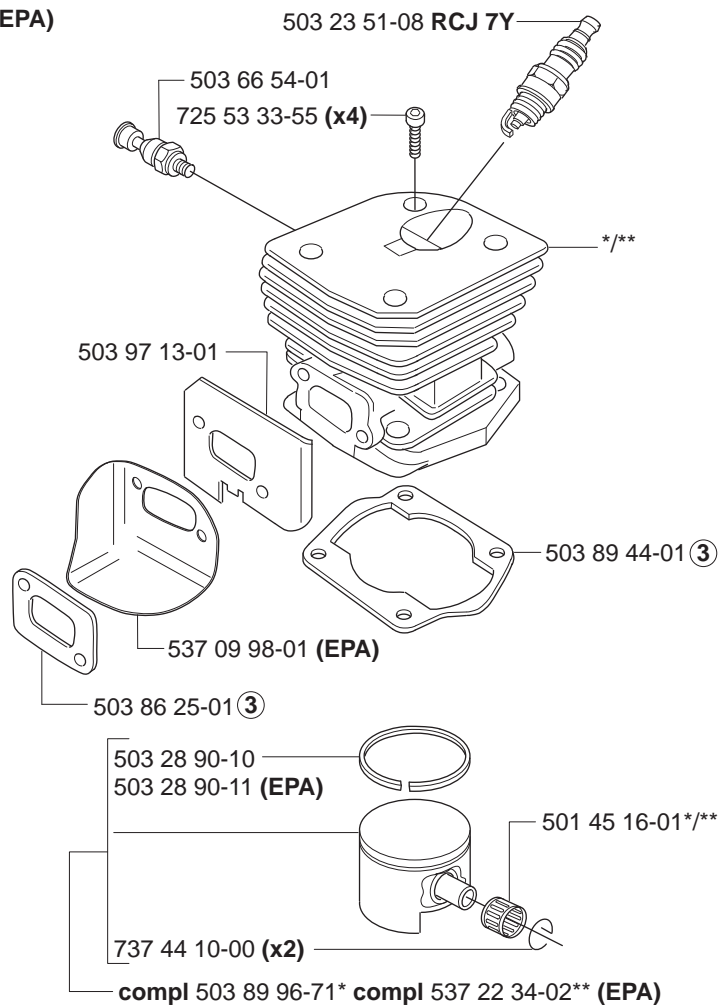
G

*compl 503 87 00-76 (340, 340e)
*compl 503 87 02-76 (345e)

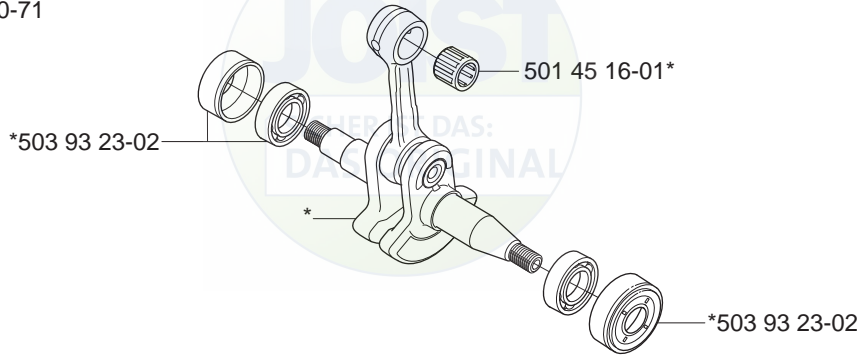


G

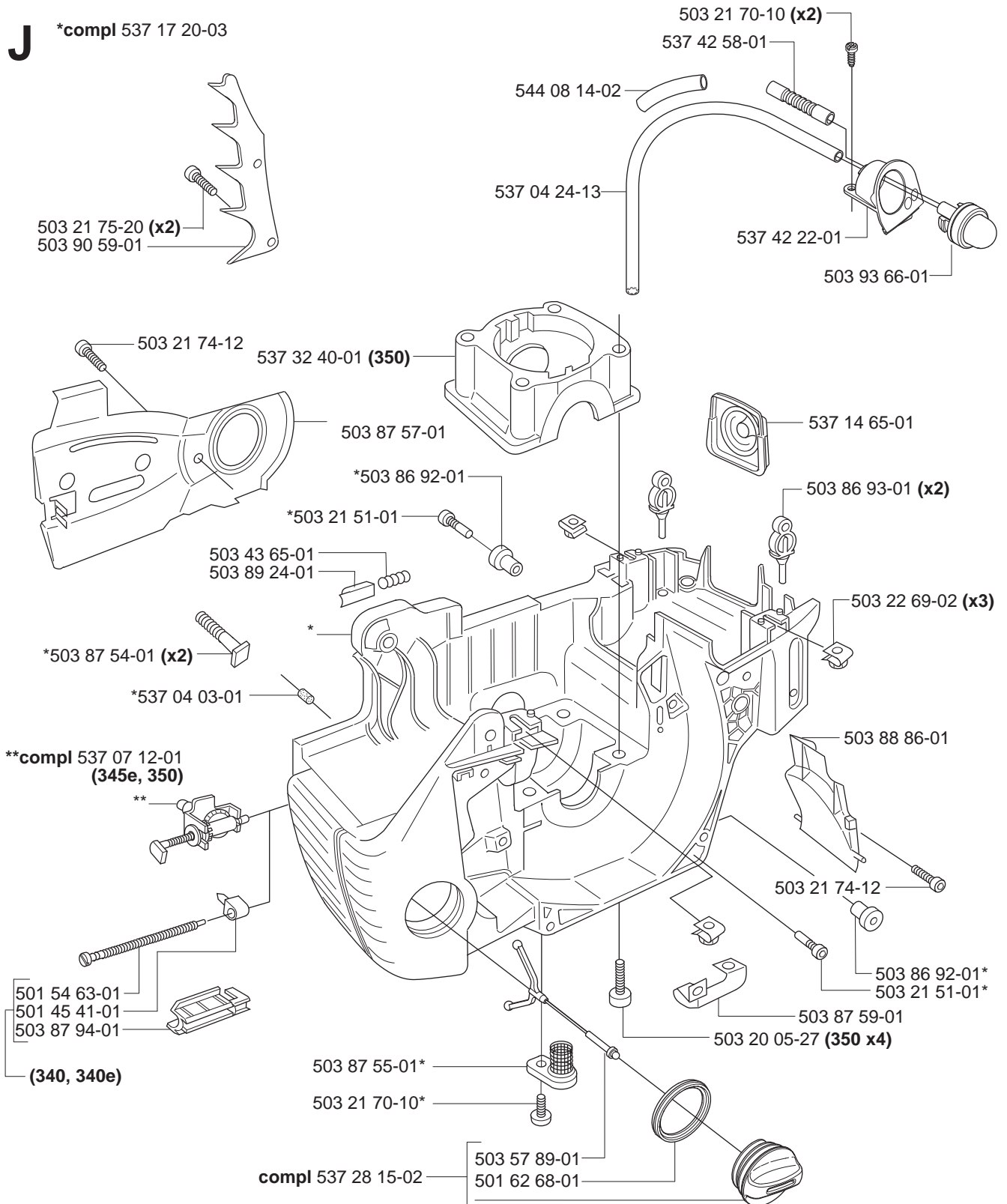
**compl 537 25 30-02 (350EPA)
*compl 503 86 99-71 (350)



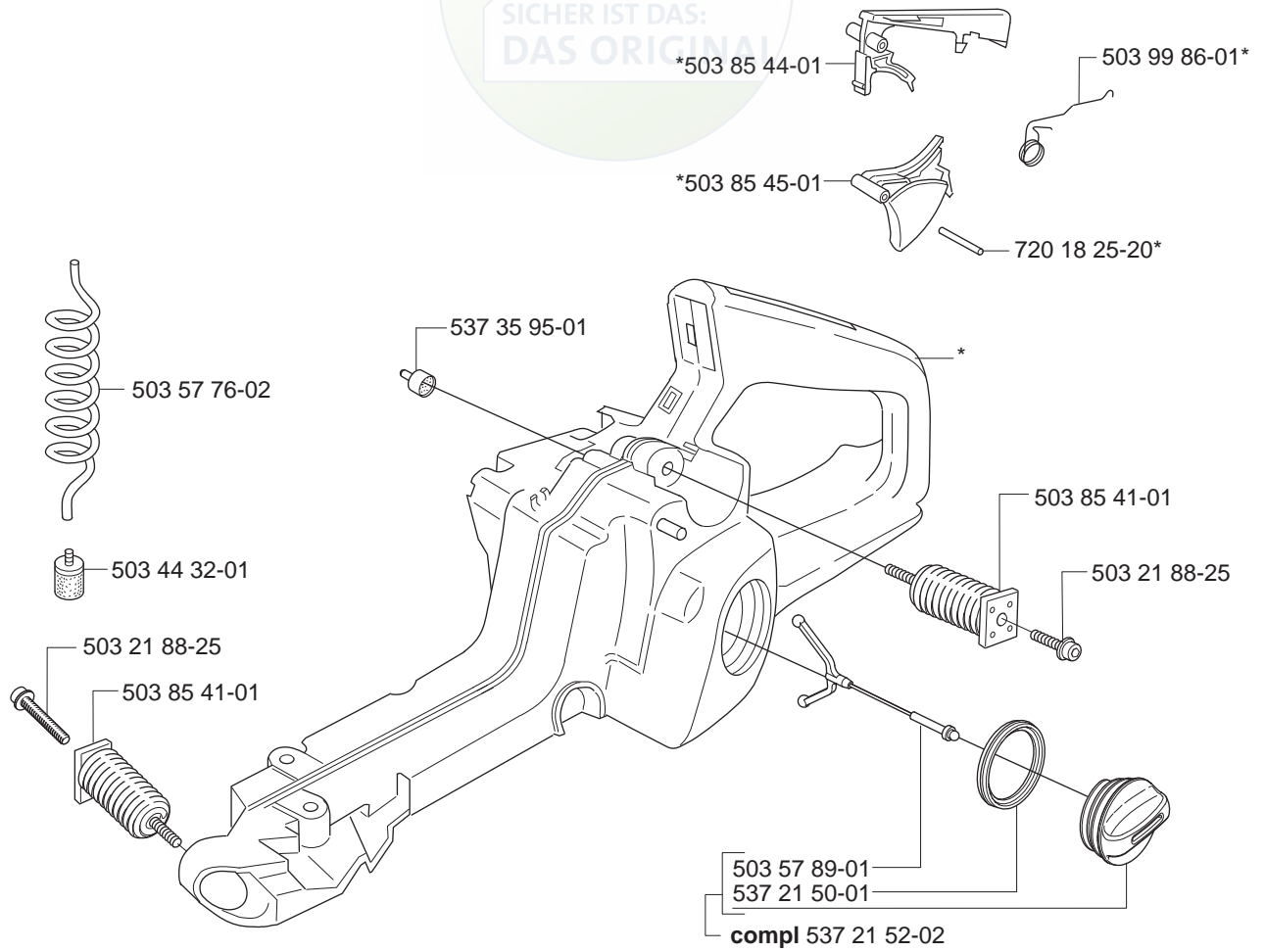
H *compl 503 85 80-71



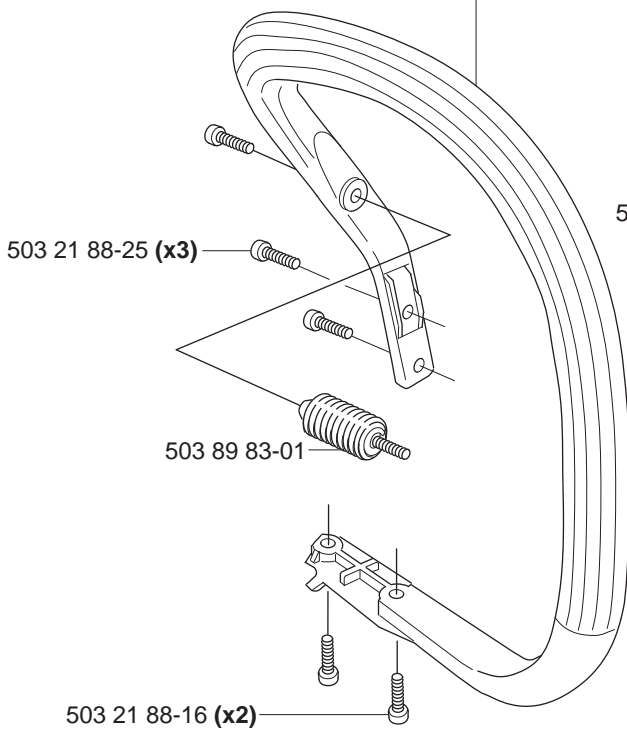
J *compl 537 17 20-03



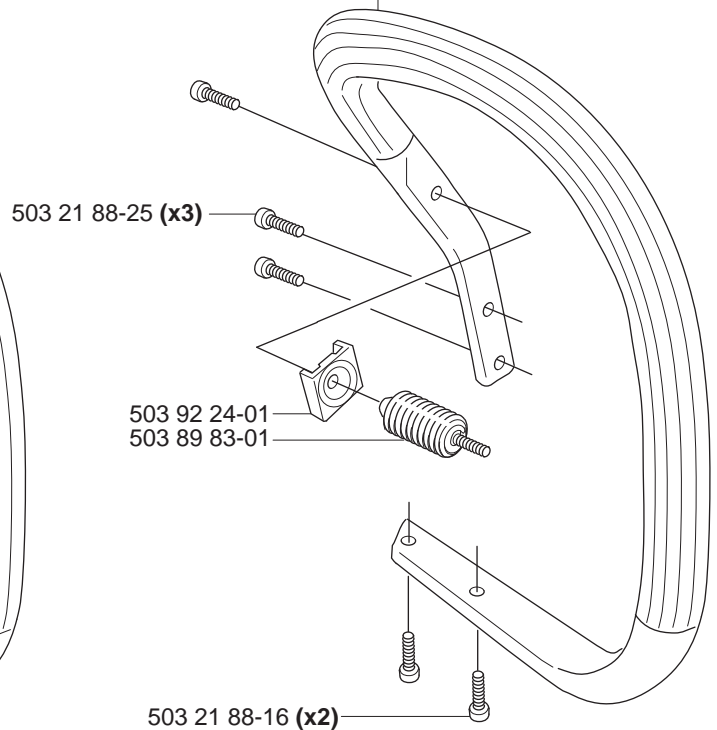
K *compl 503 86 37-03



L 503 85 37-01 (340, 340e, 345e)

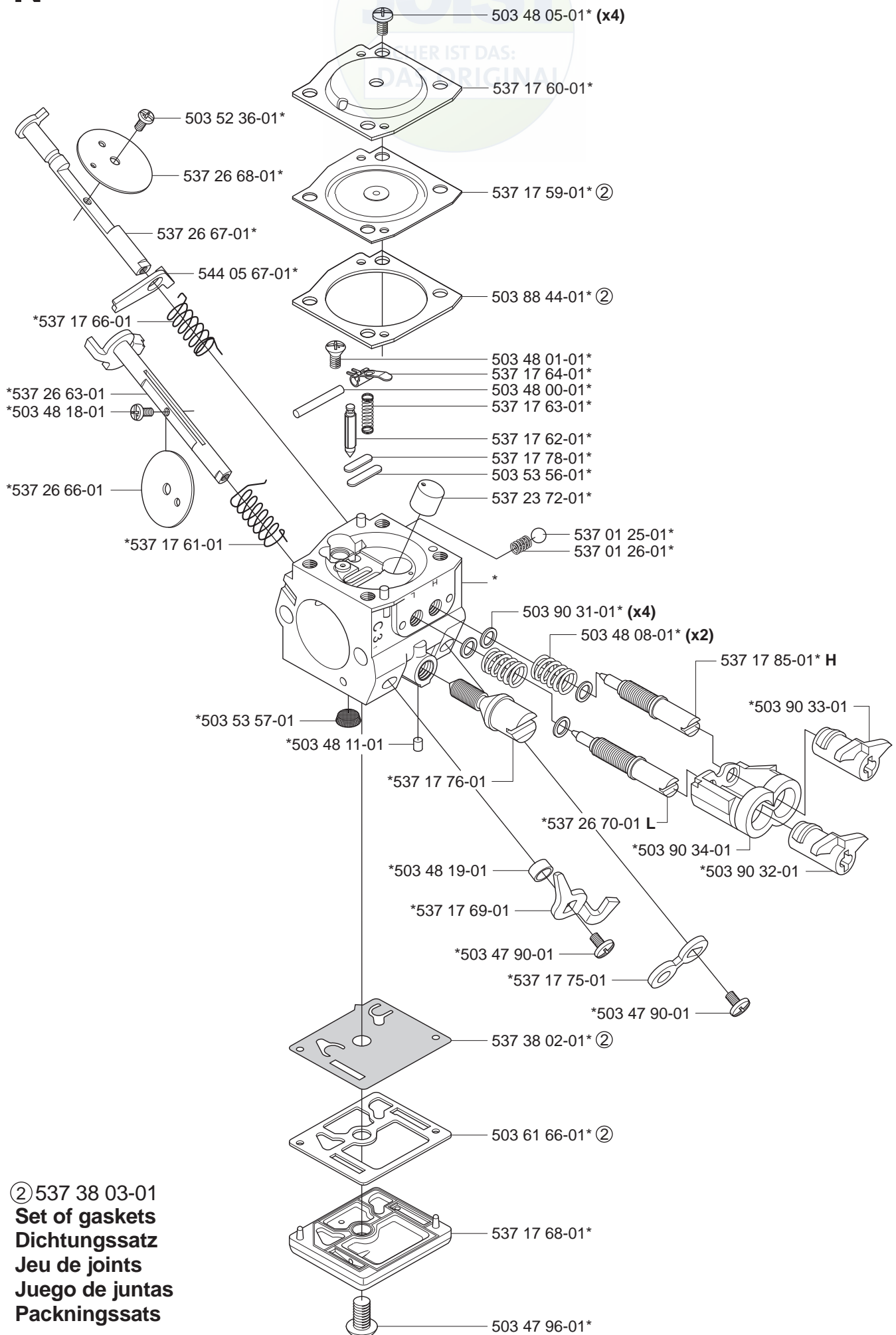


537 30 17-01 (350)



N

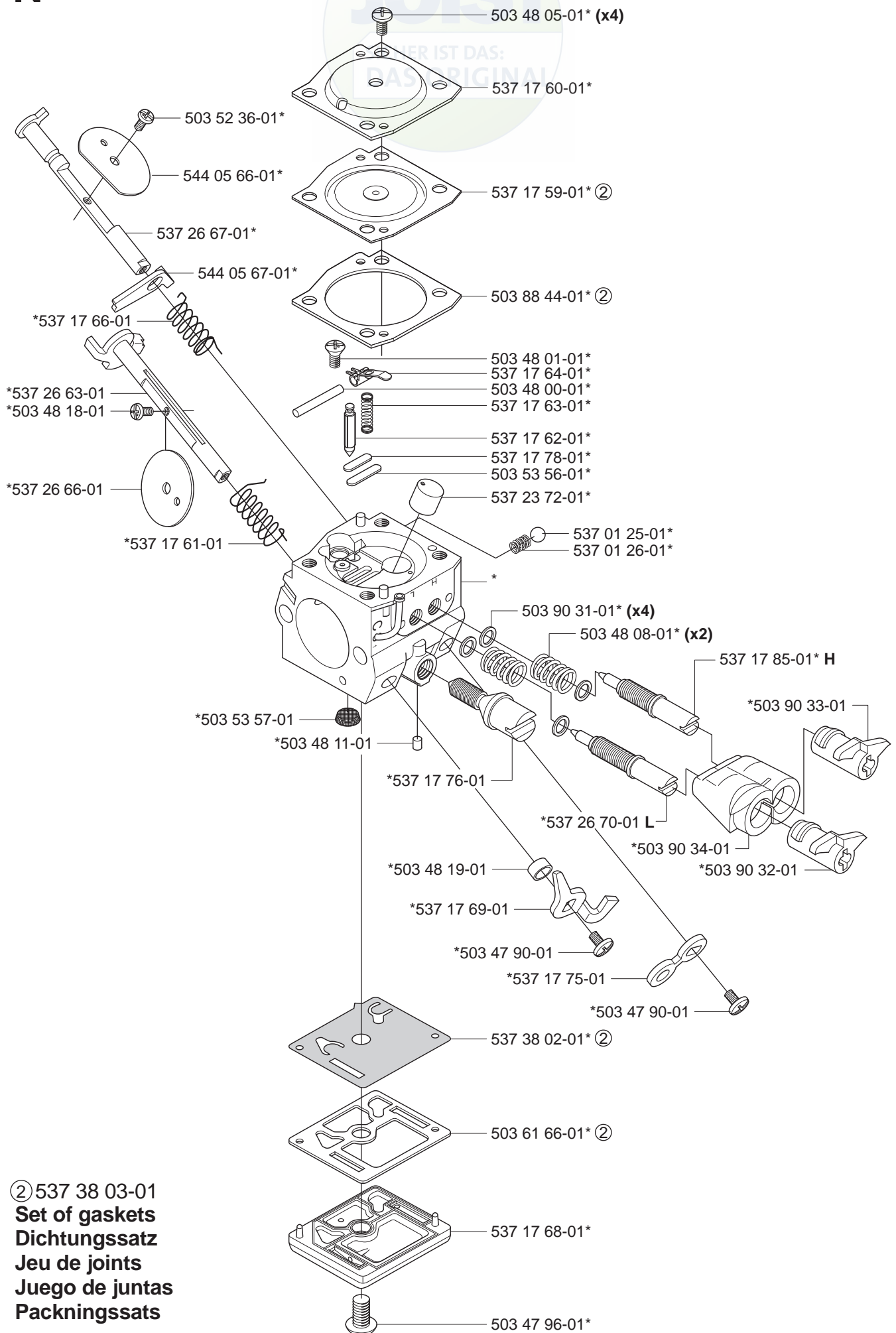
*compl 503 28 32-08 ZAMA C3-EL18B (340)

ZAMA C3-EL18B

② 537 38 03-01
Set of gaskets
Dichtungssatz
Jeu de joints
Juego de juntas
Packingssatz

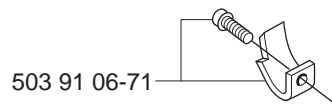
N *compl 503 28 32-08 ZAMA C3-EL32 (340e, 345e, 350)
Correction: 503 28 32-10

ZAMA C3-EL32



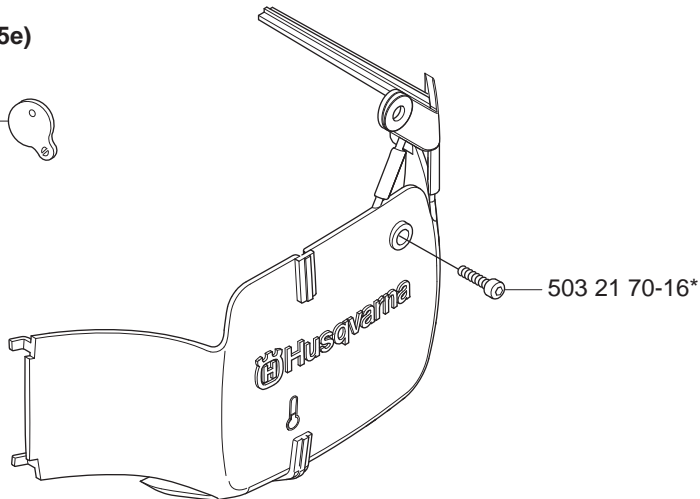
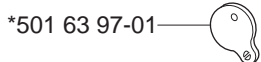
(2) 537 38 03-01
Set of gaskets
Dichtungssatz
Jeu de joints
Juego de juntas
Packningssats

P Tillbehör
Accessories
Zubehöre
Accessoires
Accesorios



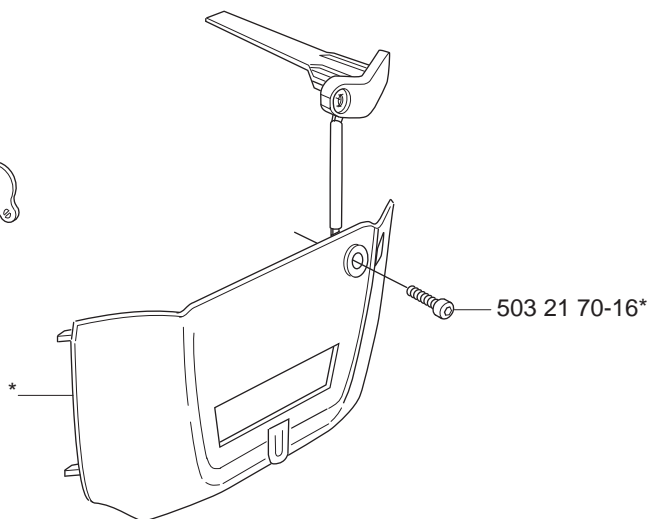
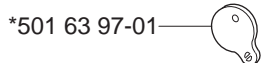
Winter kit

*compl 537 42 29-01 (340e, 345e)
Correction: 544 01 31-01

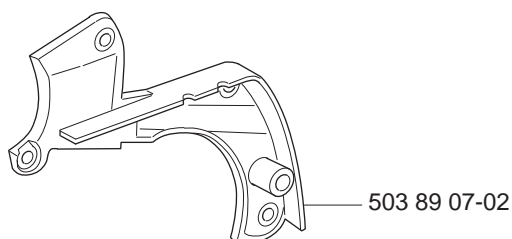


Winter kit

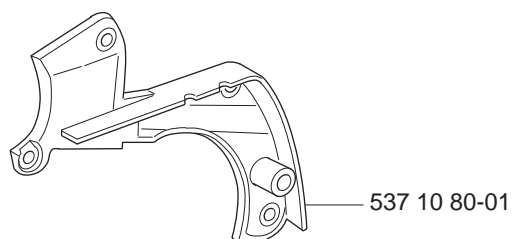
*compl 537 04 28-02 (340, 350)



Q Up to 991499999



From 991500001
to 001400001

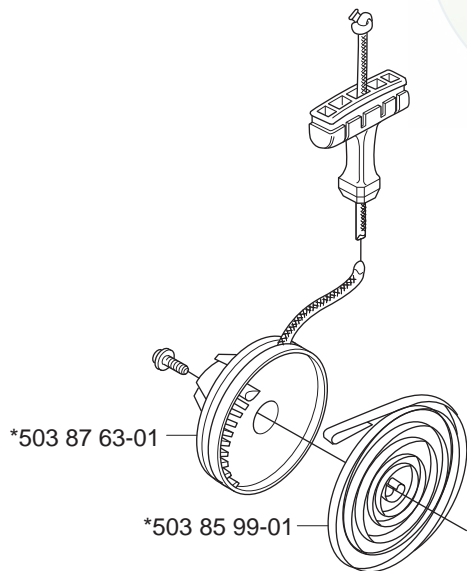




Up to 010604200 (340)
 Up to 010602850 (345)
 Up to 010702450 (350)



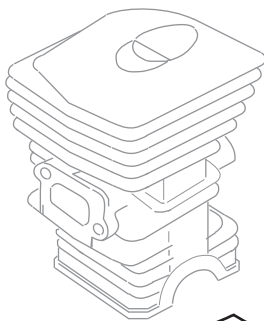
Up to 052299999 (345)



537 37 05-02



Up to 000601101 (340, 345)

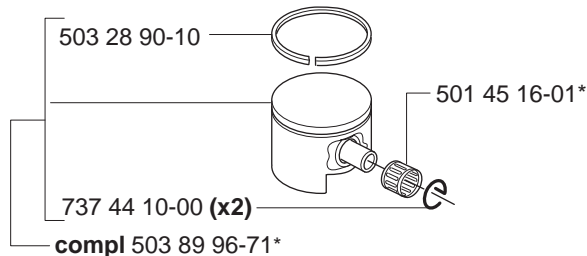
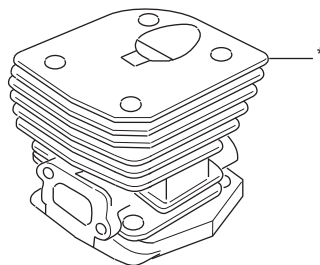


503 92 60-01 (x2)

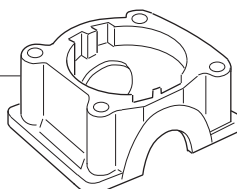


Up to 030103001
 Only EPA (350)

*compl 503 89 99-71 (350)
 Correction: 503 86 99-71



537 32 40-01 (350)



PART NUMBER	SQUARE	NOTE	PART NUMBER	SQUARE	NOTE	PART NUMBER	SQUARE	NOTE	PART NUMBER	SQUARE	NOTE
501 45 16-01	G,H,Q		503 85 99-01	Q		537 02 40-03	F		544 01 67-02	M	N
501 45 41-01	J		503 86 25-01	G	3	537 02 71-01	B		544 05 66-01	N	N
501 48 54-02	D		503 86 27-03	E		537 02 90-01	F		544 05 67-01	N	N
501 54 63-01	J		503 86 28-03	E		537 04 03-01	J		544 08 14-02	J	N
501 62 68-01	J		503 86 36-01	E		537 04 24-13	J	N	720 18 25-20	K	
501 63 97-01	P		503 86 37-03	K	N	537 04 28-02	P		721 11 64-30	B	
501 69 17-01	P		503 86 62-01	F		537 04 30-01	A		724 12 87-59	E	
503 20 05-27	J	N	503 86 63-01	F		537 06 91-01	B		725 53 33-55	G	
503 20 05-32	G		503 86 64-02	F		537 07 12-01	J		735 31 08-20	A	
503 20 34-25	C		503 86 92-01	J		537 08 90-01	A		737 44 10-00	G,Q	
503 20 45-87	E		503 86 93-01	J		537 09 25-01	M				
503 21 28-10	M	N	503 86 94-01	F		537 09 31-01	M				
503 21 29-10	M		503 86 95-02	F		537 09 98-01	G	EPA			
503 21 51-01	J		503 86 96-01	F		537 10 47-02	M				
503 21 55-25	D		503 86 97-02	F	N	537 10 55-01	B				
503 21 70-10	A,J		503 86 99-71	G		537 10 78-03	A	N			
503 21 70-16	P		503 87 00-76	G		537 10 80-01	Q				
503 21 73-21	M		503 87 01-71	G		537 10 80-02	A	N			
503 21 74-12	B,J		503 87 02-76	G		537 11 05-03	B	N			
503 21 74-50	F		503 87 30-72	B		537 14 65-01	J				
503 21 75-20	J		503 87 54-01	J		537 15 48-01	B				
503 21 77-16	M		503 87 55-01	J		537 16 21-04	D	N			
503 21 88-16	L		503 87 57-01	J		537 17 20-03	J	N			
503 21 88-25	K,L		503 87 59-01	J		537 17 59-01	N	2			
503 22 00-01	A		503 87 63-01	Q		537 17 60-01	N				
503 22 04-01	D		503 87 94-01	J		537 17 61-01	N				
503 22 69-02	J		503 87 96-02	E		537 17 62-01	N				
503 23 00-60	B		503 88 44-01	N	2	537 17 63-01	N				
503 23 51-08	G		503 88 86-01	J		537 17 64-01	N				
503 24 09-05	B		503 88 92-01	F		537 17 66-01	N				
503 25 52-01	B		503 89 06-01	M		537 17 68-01	N				
503 28 32-08	F,N		503 89 07-02	Q		537 17 69-01	N				
503 28 32-10	F	N	503 89 08-02	A		537 17 75-01	N				
503 28 90-03	G		503 89 15-01	B		537 17 76-01	N				
503 28 90-05	G		503 89 16-01	B		537 17 78-01	N				
503 28 90-10	G,Q		503 89 22-02	B		537 17 85-01	N				
503 28 90-11	G	EPA	503 89 24-01	J		537 21 50-01	K	N			
503 43 65-01	J		503 89 29-01	A		537 21 52-02	K	N			
503 44 32-01	K		503 89 30-02	A		537 22 34-02	G	EPA			
503 46 59-01	A		503 89 44-01	G	3	537 23 25-01	M	N			
503 47 90-01	N		503 89 50-01	D		537 23 72-01	N				
503 47 96-01	N		503 89 83-01	L		537 24 65-01	F				
503 48 00-01	N		503 89 87-03	D	N	537 25 30-02	G	EPA			
503 48 01-01	N		503 89 96-71	G,Q		537 26 63-01	N				
503 48 05-01	N		503 89 99-71	Q		537 26 66-01	N				
503 48 08-01	N		503 90 31-01	N		537 26 67-01	N				
503 48 11-01	N		503 90 32-01	N		537 26 68-01	N				
503 48 18-01	N		503 90 33-01	N		537 26 70-01	N				
503 48 19-01	N		503 90 34-01	N		537 28 15-02	J	N			
503 52 36-01	N		503 90 59-01	J		537 30 17-01	L	N			
503 53 56-01	N		503 90 73-71	G		537 32 40-01	J,Q				
503 53 57-01	N		503 91 05-01	C		537 35 91-01	B	N			
503 54 39-01	M		503 91 06-71	P		537 35 95-01	K	N			
503 55 22-01	G		503 92 24-01	L		537 37 04-01	A				
503 57 76-02	K		503 92 60-01	Q		537 37 05-01	M				
503 57 89-01	J,K		503 92 60-02	G		537 37 05-02	Q				
503 61 66-01	N	2	503 93 18-01	B		537 37 05-03	M				
503 66 54-01	G		503 93 21-01	B		537 38 02-01	N	N, 2			
503 78 32-01	D		503 93 23-02	H		537 38 03-01	N	N			
503 79 05-02	D		503 93 66-01	J	N			2=Compl			
503 82 43-01	D		503 97 13-01	G		537 42 19-01	C	N			
503 85 09-01	A		503 98 24-02		N	537 42 20-01	C	N			
503 85 37-01	L				3=Compl	537 42 21-01	F	N			
503 85 41-01	K		503 98 74-01	C		537 42 22-01	J	N			
503 85 44-01	K		503 99 86-01	K		537 42 29-01	M,P	N			
503 85 45-01	K		505 30 51-25	M		537 42 33-01	M	N			
503 85 48-01	B		537 01 25-01	N		537 42 34-01	M	N			
503 85 52-01	A		537 01 26-01	N		537 42 58-01	J	N			
503 85 66-01	A		537 02 40-01	F		537 42 66-01	M	N			
503 85 80-71	H		537 02 40-02	F		544 01 67-01	M	N			

2 = 537 38 03-01
3 = 503 98 24-02

Set of gaskets, Dichtungssatz,
Jeu de joints, Juego de juntas,
Packningssats

N = New part, Neues teil,
Nouvelle piece, Nueva pieza
Ny detalj

EPA = Environmental Protection Agency
(for USA/Canada only)