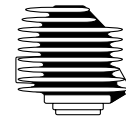


For Husqvarna Parts Call 606-678-9623 or 606-561-4983

 **Husqvarna**

SERVICE



4

I9900034

SICHER IST DAS:

IPL, 335 XPT, 1999-03, 106 24 40-62

335 XPT

Spare parts

Ersatzteile

Pièces détachées

Reserve onderdelen

Repuestos

Reservdelar

106 24 40-62

For Husqvarna Parts Call 606-678-9623 or 606-561-4983

335 XPT

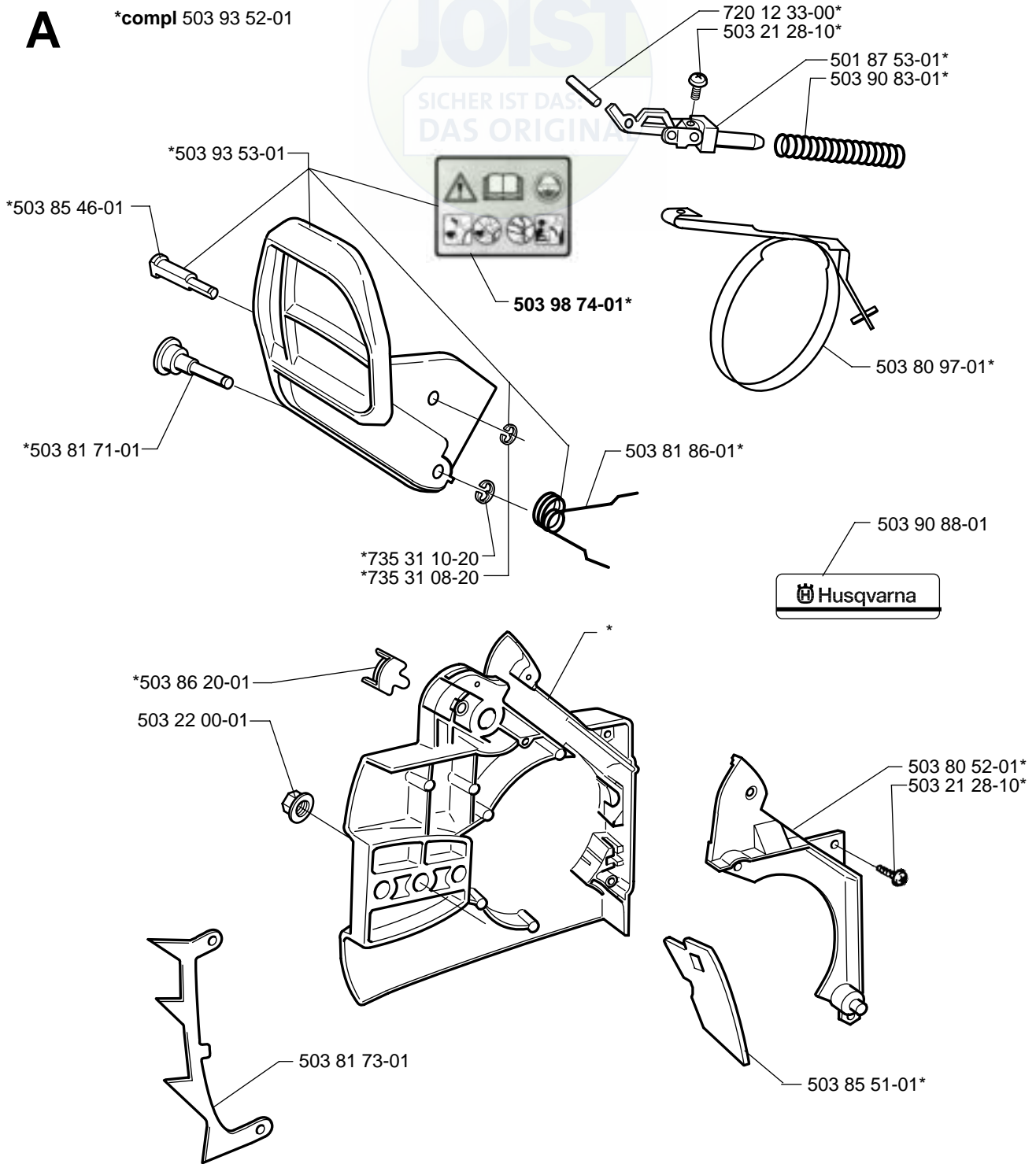
PART NUMBER	SQWARE	NOTE	PART NUMBER	SQWARE	NOTE	PART NUMBER	SQWARE	NOTE	PART NUMBER	SQWARE	NOTE
501 45 27-02	H		503 79 26-01	B		503 98 62-01	H	N			
501 45 41-01	H		503 80 04-01	P		503 98 74-01	A	N			
501 45 43-01	H		503 80 52-01	A		504 13 08-07	P				1
501 46 69-01	P		503 80 81-01	E		504 13 09-06	P				1
501 46 84-01	P	N	503 80 83-02	H	N	504 21 00-50	P				
501 46 85-01	P	N	503 81 14-01	J		504 34 00-04	E				
501 46 87-01	P		503 81 32-01	K		504 35 09-06	P				1
501 48 54-02	L		503 81 33-01	K		504 35 09-15	P				
501 62 33-01	H		503 81 34-01	K		505 30 51-25	N				
501 62 98-01	K		503 81 35-01	K		505 31 67-17	P				
501 66 61-01	P		503 81 69-01	M		505 31 67-54	P				
501 66 78-01	P		503 81 71-01	A		505 31 67-82	P				
501 68 68-01	H		503 81 73-01	A		505 52 01-25	P				
501 69 17-01	Q		503 81 81-01	L		505 52 01-27	P				
501 76 31-01	N		503 81 85-01	N		506 01 64-01	N				
501 81 92-01	H		503 81 86-01	A		506 02 82-01	P				
501 81 96-02	K		503 82 09-01	B		530 02 61-19	K	N			
501 81 96-03	K	N	503 82 11-01	E		530 03 50-15	P				
501 83 44-09	Q		503 82 17-01	G		530 03 51-73	P				1
501 87 53-01	A		503 82 22-71	C		530 03 52-03	P	N			
502 10 24-01	P		503 82 25-01	N		537 00 84-01	N	N			
502 10 30-01	P		503 82 26-01	K		537 02 15-01	D	N			
502 10 31-01	P		503 82 27-02	K	N	537 04 39-01	P	N			
502 10 32-01	P		503 82 28-01	K		537 04 61-01	H	N			
502 20 40-01	B		503 82 33-01	K		720 12 33-00	A				
502 20 65-03	B		503 82 38-01	K		720 12 40-20	K				
503 10 87-01	P		503 84 26-01	K		720 12 46-20	K				
503 14 51-01	C		503 84 53-71	F		724 12 87-59	G	N			
503 18 49-01	H		503 85 13-01	K		725 53 29-55	H				
503 20 02-16	G,J,K		503 85 38-02	K		729 56 55-01	K				
503 20 02-25	H		503 85 46-01	A		735 11 36-50	E	N			
503 20 02-40	H		503 85 51-01	A		735 31 08-20	A				
503 20 25-12	E		503 86 20-01	A		735 31 10-20	A				
503 20 25-16	L		503 86 38-01	H		737 44 10-00	E				
503 21 28-10	A,K		503 86 84-01	P							
503 21 73-25	J,N		503 86 85-01	P							
503 21 75-50	D		503 89 67-01	P	1						
503 21 77-16	N		503 90 09-01	L							
503 21 88-30	M	N	503 90 68-01	L							
503 22 00-01	A		503 90 83-01	A							
503 22 10-11	L		503 90 87-01	N							
503 23 00-16	H		503 90 88-01	A							
503 23 51-08	E		503 90 98-01	L							
503 25 46-01	C		503 91 38-01	P	N						
503 26 30-17	K		503 91 39-01	P							
503 28 15-18	D,P	N	503 91 40-01	P							
503 28 90-34	E		503 91 47-01	P							
503 41 41-01	E,F		503 91 51-01	P							
503 44 32-01	K		503 91 53-01	P							
503 52 12-04	C		503 91 54-01	P							
503 56 34-01	P		503 92 42-01	L	N						
503 57 42-01	P		503 92 96-01	K							
503 57 76-01	K		503 93 03-01	G							
503 57 76-02	K	N	503 93 45-01	F							
503 57 89-01	K		503 93 49-01	P							
503 60 04-01	K		503 93 50-01	P							
503 71 02-02	L		503 93 51-01	P							
503 71 40-03	C		503 93 52-01	A							
503 72 31-01	H		503 93 53-01	A							
503 73 58-01	K		503 94 00-01	J	N						
503 78 85-01	E		503 96 24-04	L	N						
503 78 92-01	H		503 96 32-01	K	N						
503 78 99-01	E		503 96 71-01	D	N						
503 79 05-02	L		503 96 72-01	D	N						
503 79 06-03	L	N	503 96 75-01	K	N						
503 79 21-72	K	N	503 97 80-01	H	N						
503 79 22-71	H	N	503 97 81-01	H	N						
503 79 23-02	E		503 97 82-01	H	N						
503 79 24-01	E		503 98 04-01	K	N						
503 79 25-01	N		503 98 13-01	K	N						

1 = 530 03 51-73
Set of gaskets
Dichtungssatz
Jeu de joints
Juego de juntas
Packningssats

N = New part
Neues teil
Nouvelle piece
Nueva pieza
Ny detalj

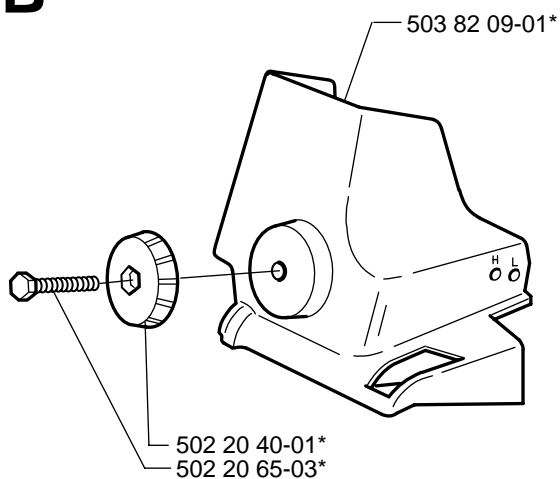
A

*compl 503 93 52-01

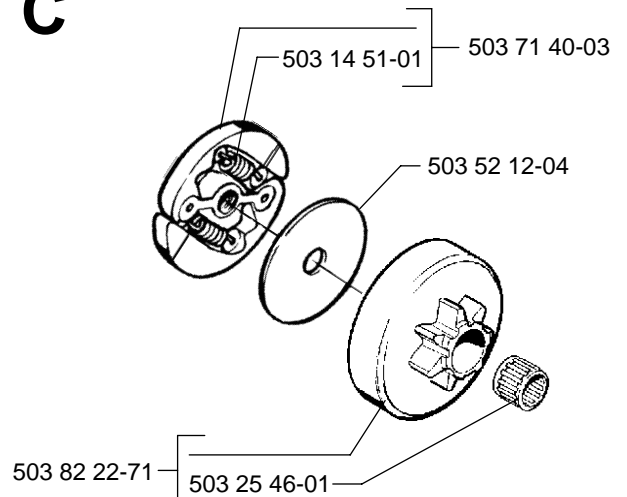


B

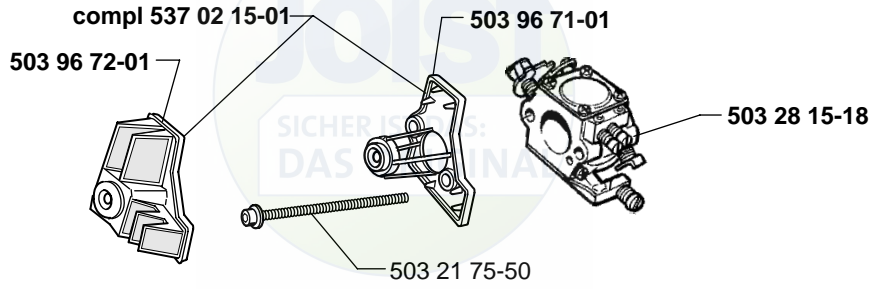
*compl 503 79 26-01



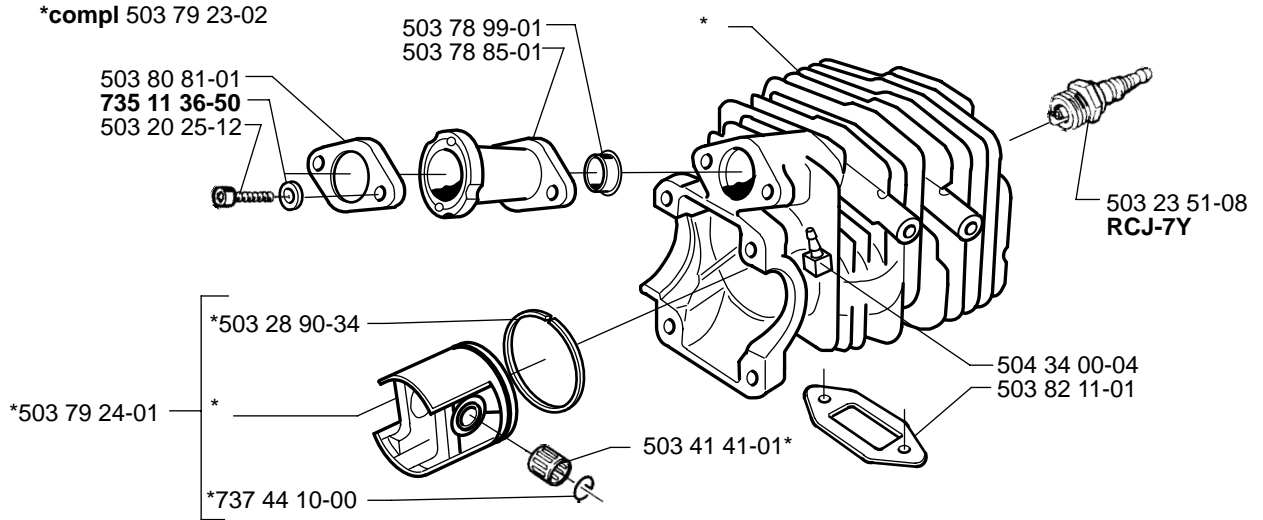
C



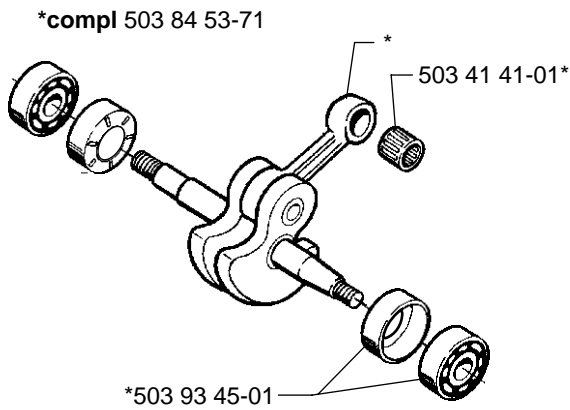
D



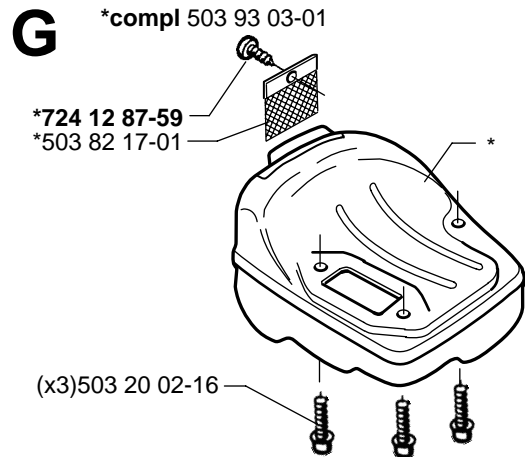
E



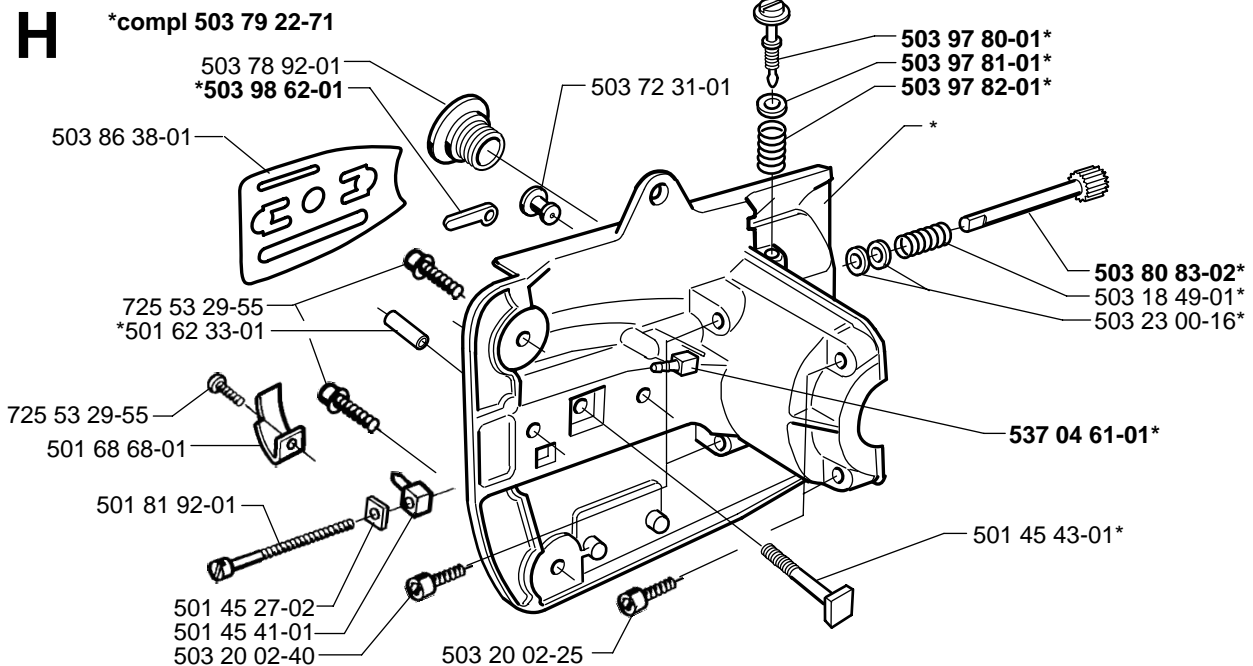
F



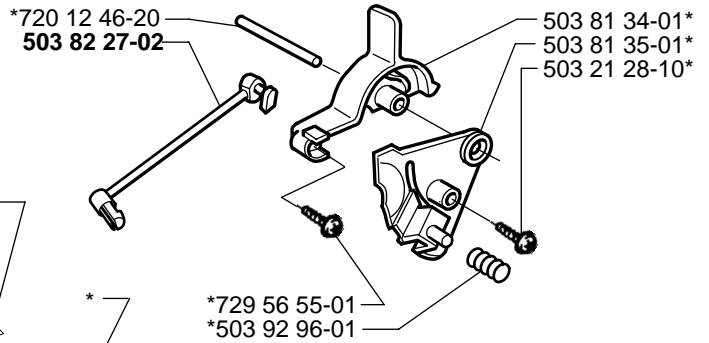
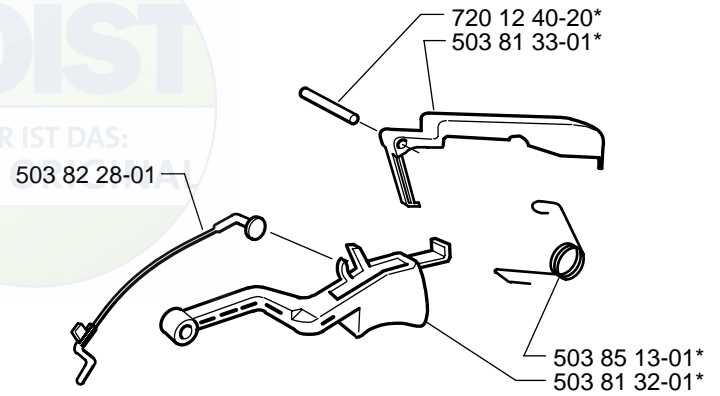
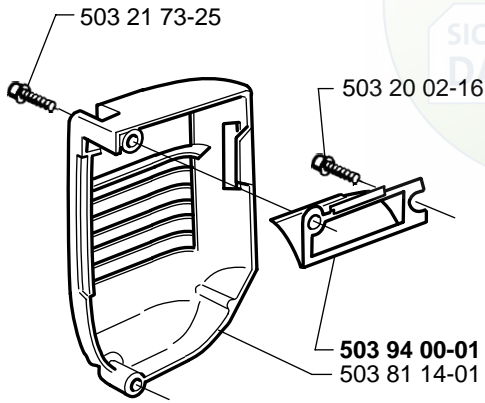
G



H



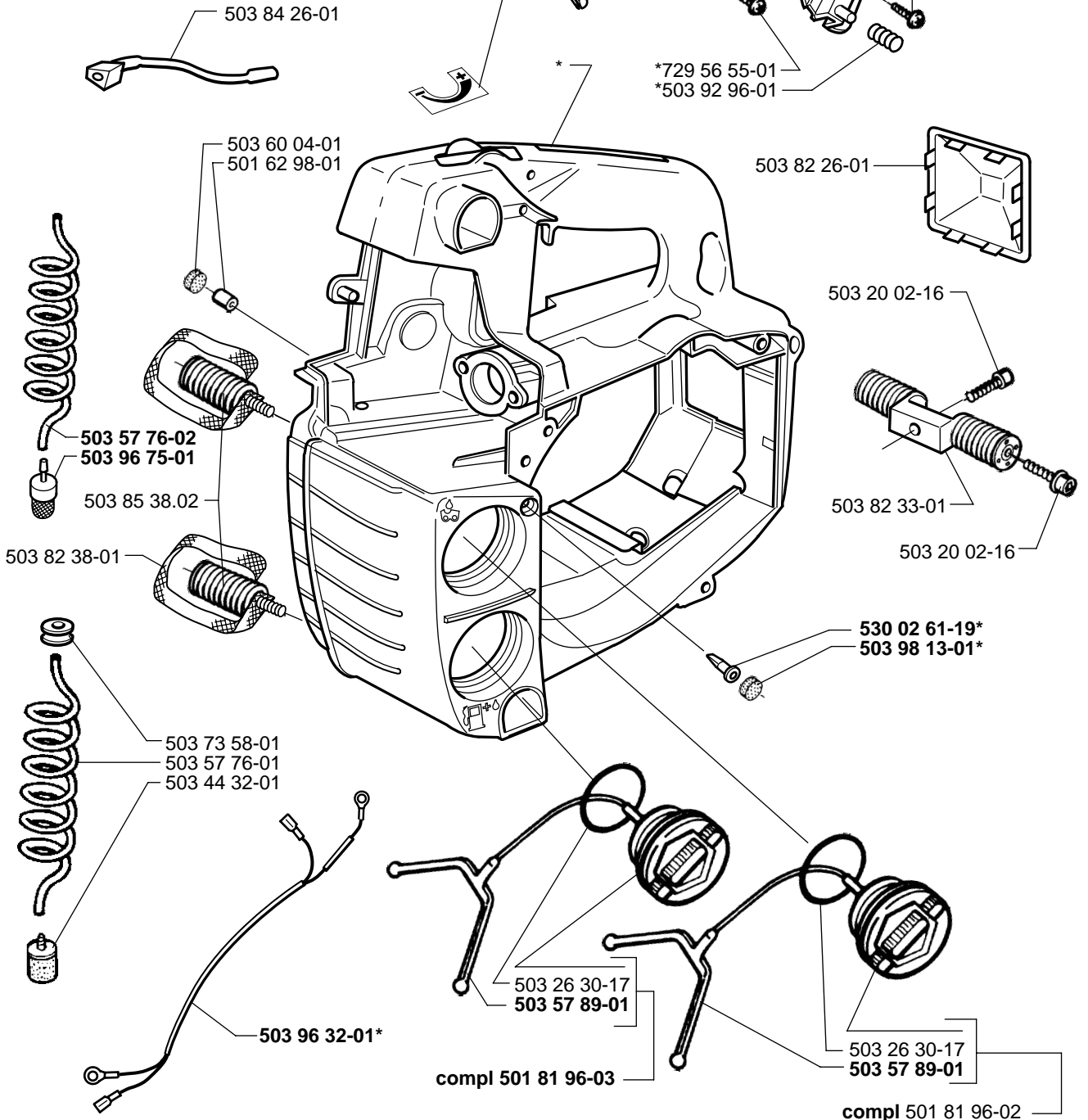
J



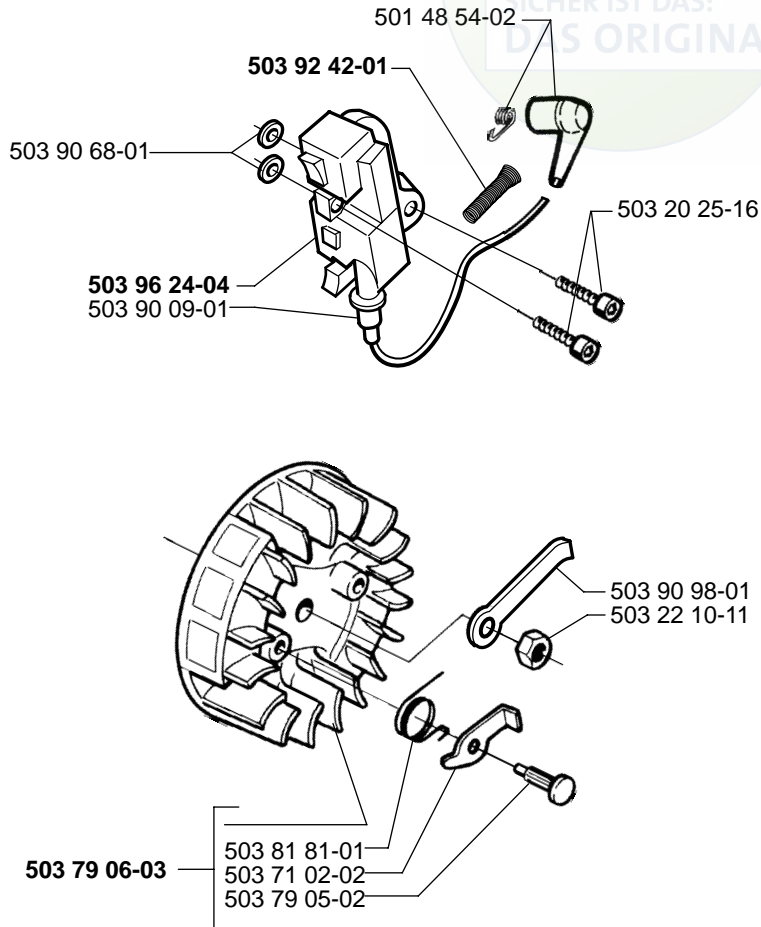
K

*compl 503 79 21-72

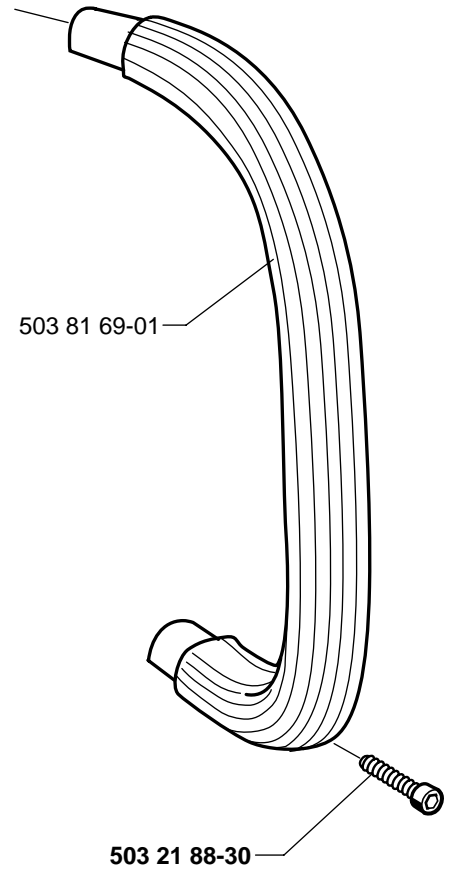
*503 98 04-01



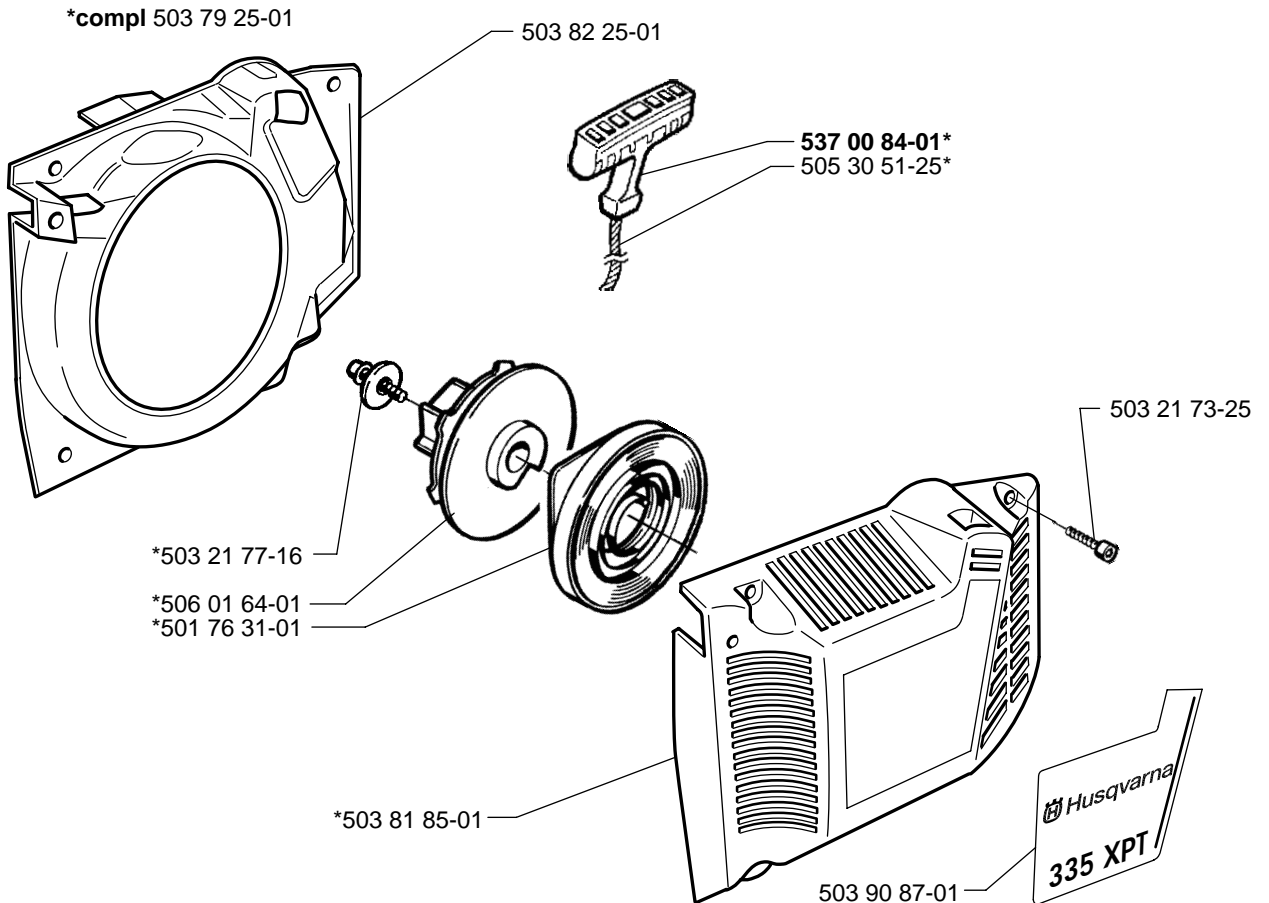
L



M

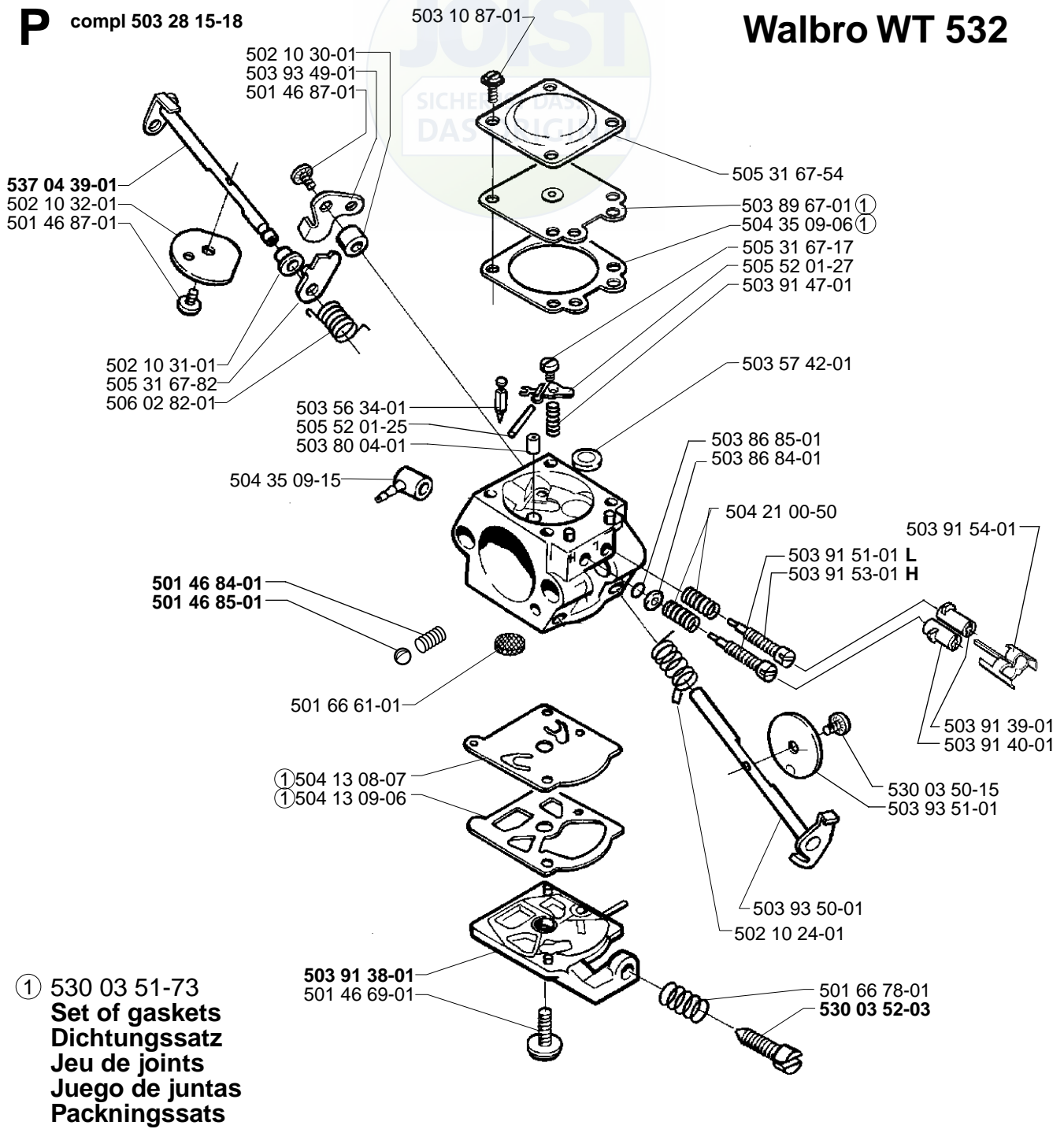


N



P compl 503 28 15-18

Walbro WT 532



Q Accessories
Zubehöre
Accessoires
Acessorios
Tillbehör

