



For Husqvarna Parts Call 606-678-9623 or 606-561-4983

 **Husqvarna**

SERVICE 		4
		I0100092

IPL, 335 XPT California, 2001-05, 106 26 40-62

335 XPT California

Spare parts

Ersatzteile

Pièces détachées

Reserve onderdelen

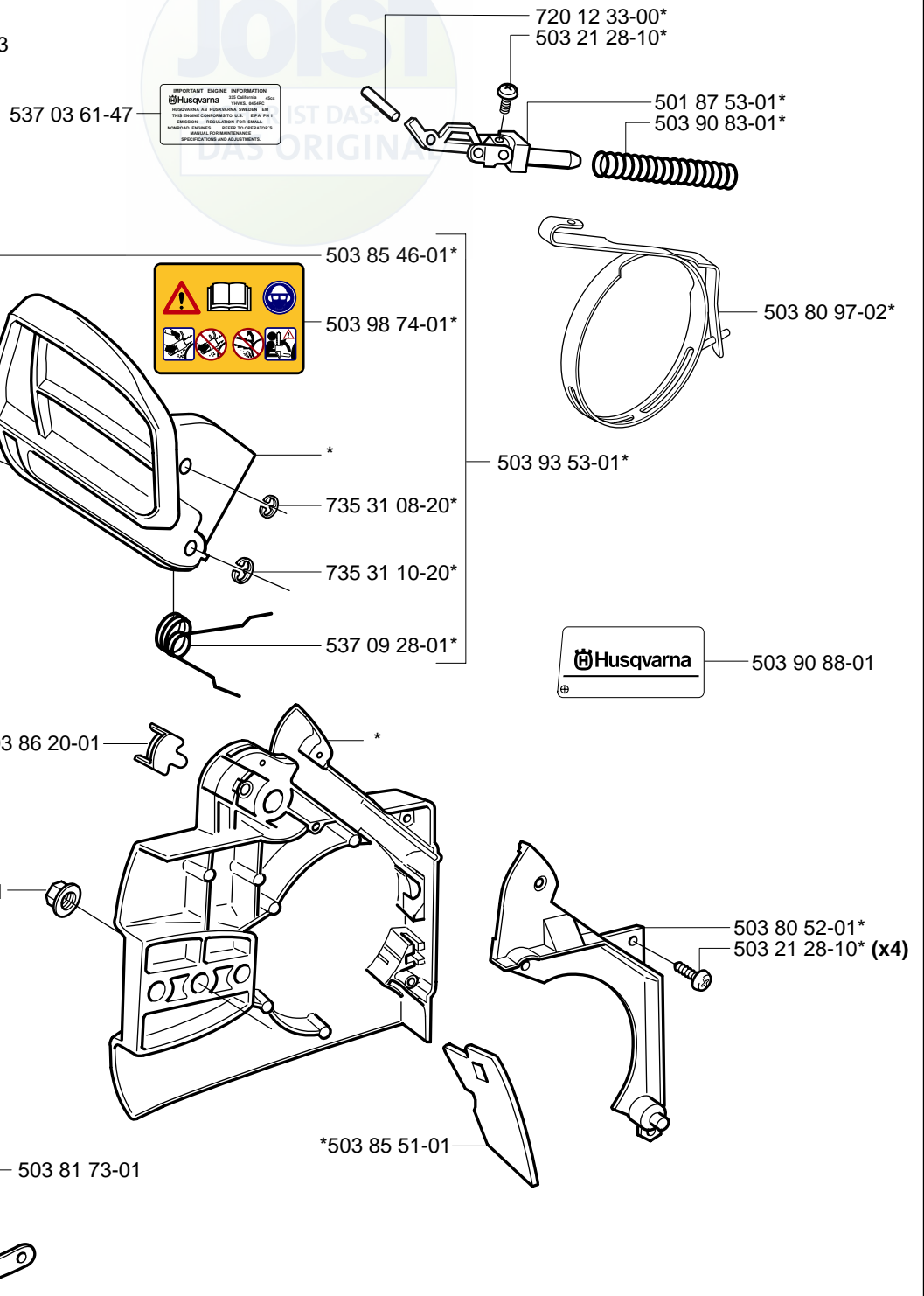
Repuestos

Reservdelar

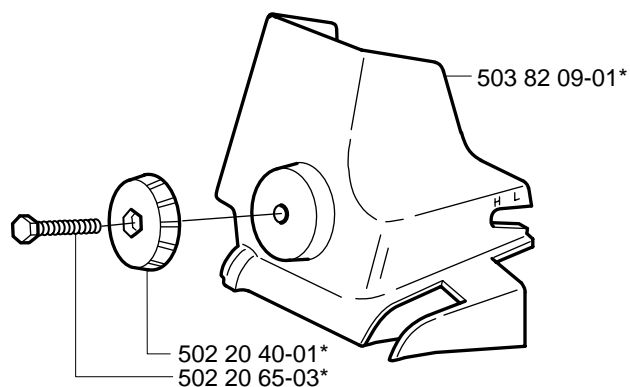
106 26 40-62

A *compl 503 93 52-03

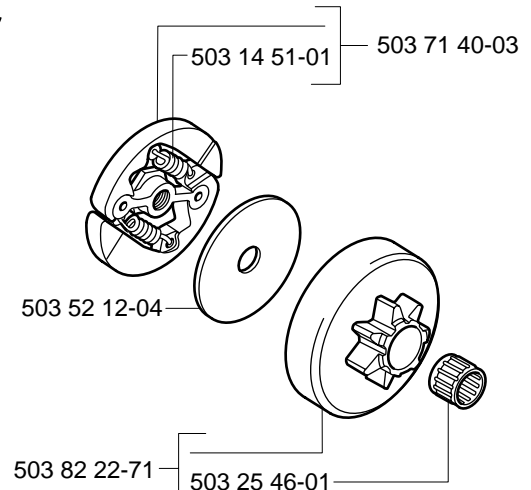
IMPORTANT ENGINE INFORMATION
Husqvarna
HUSQVARNA AB HUSQVARNA SVENSKA DE
HUSQVARNA GABRIELSGATAN 51 S-481 86
EMMINGEN SWEDEN - REGULATION FOR SMALL
MOTOR ENGINES - REFER TO OPERATOR'S &
SERIALS FOR MAINTENANCE
SPECIFICATIONS AND ADJUSTMENTS.

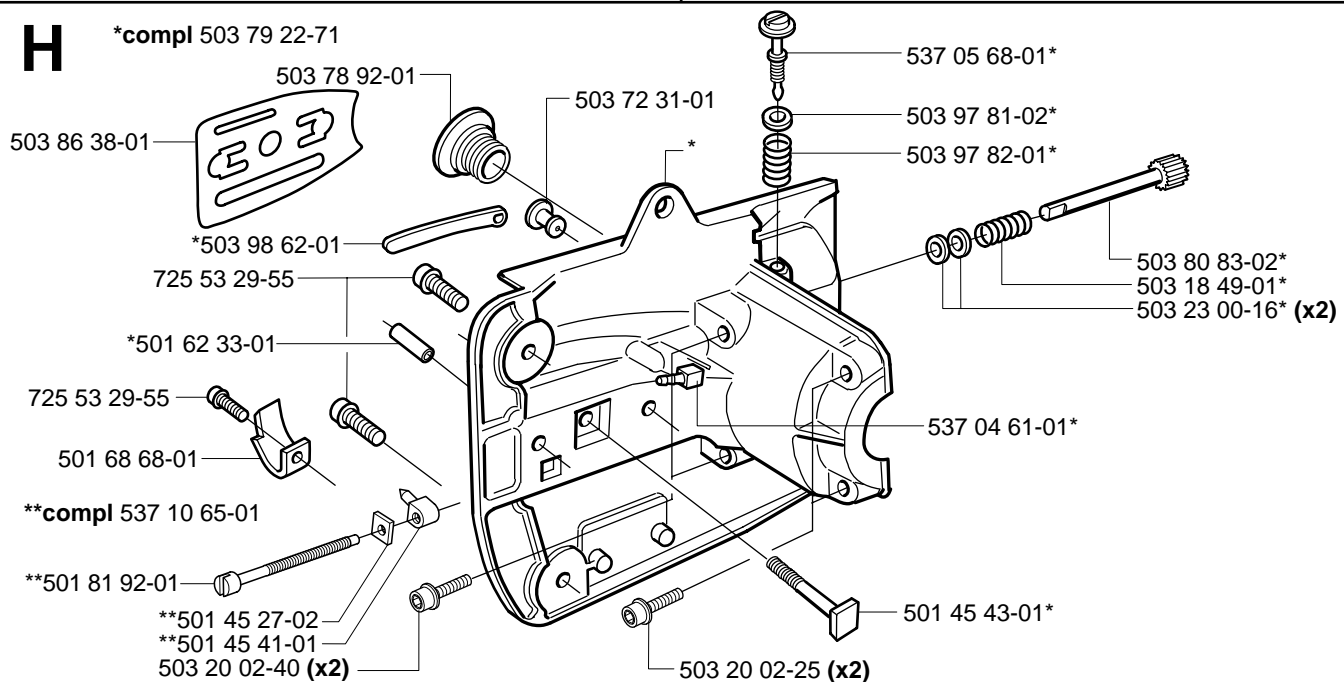
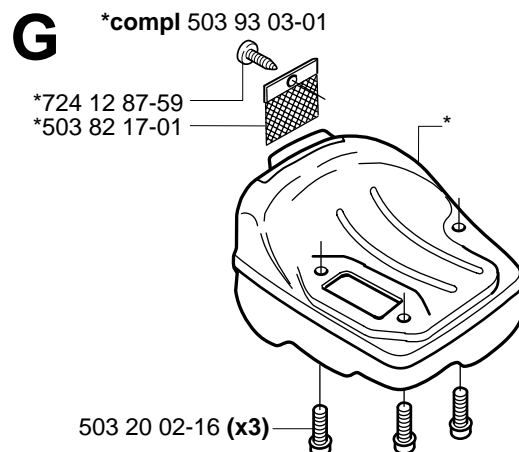
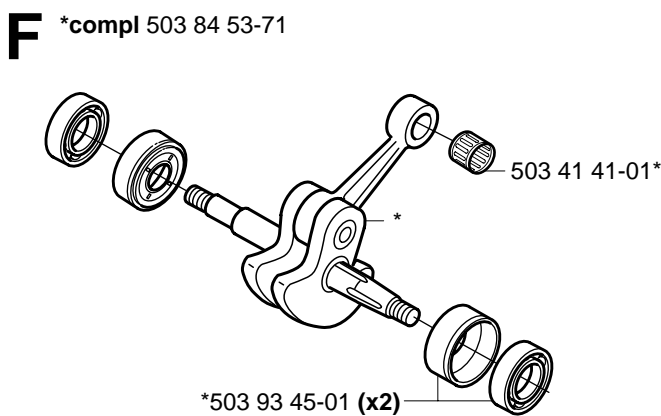
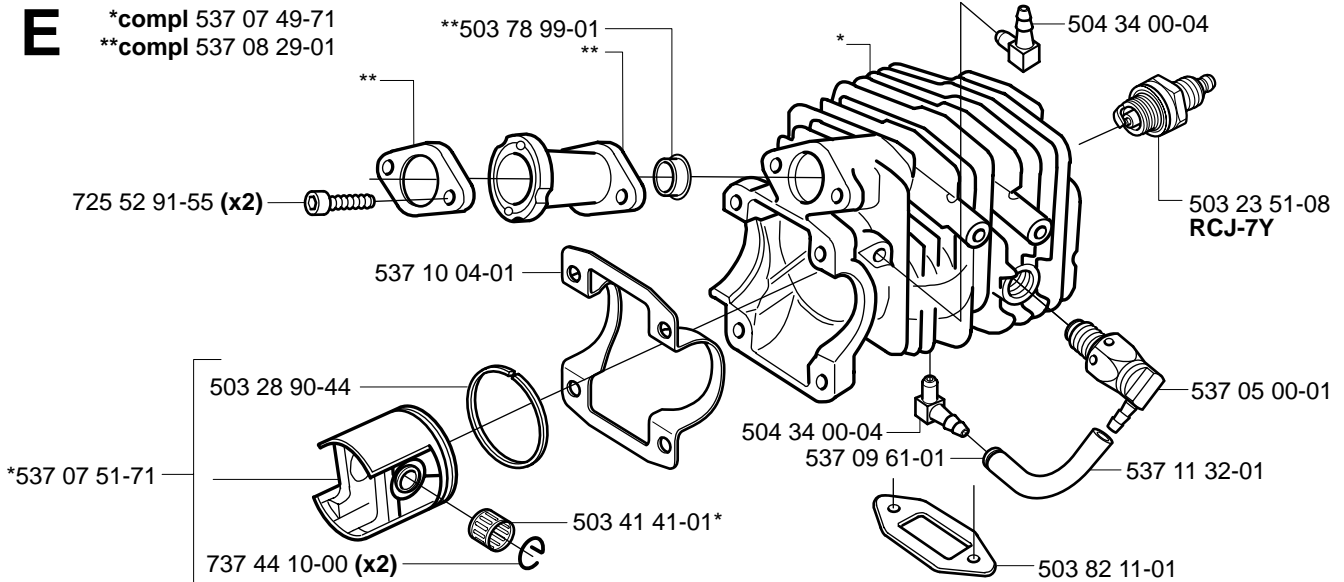
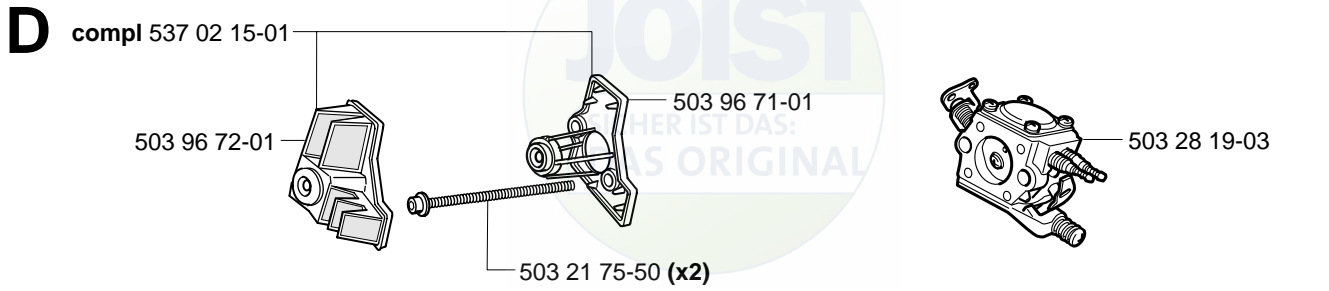


B *compl 503 79 26-01

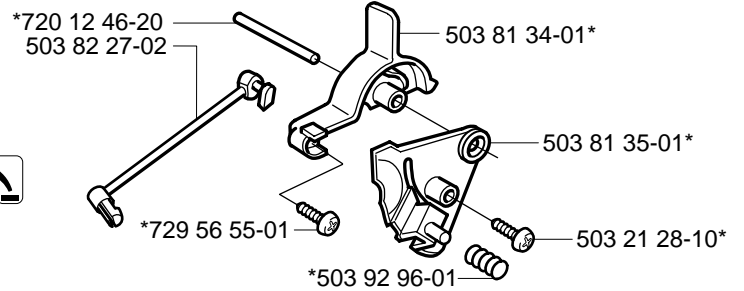
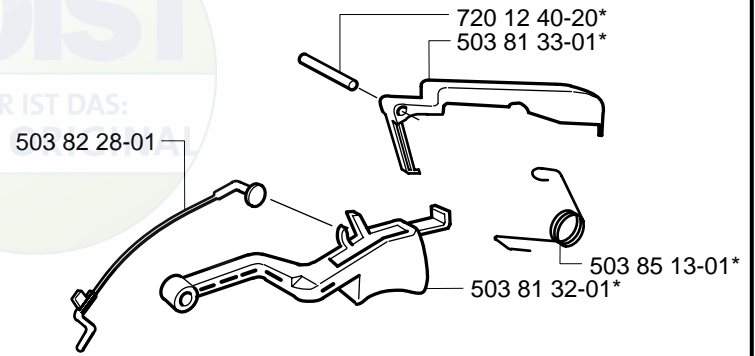
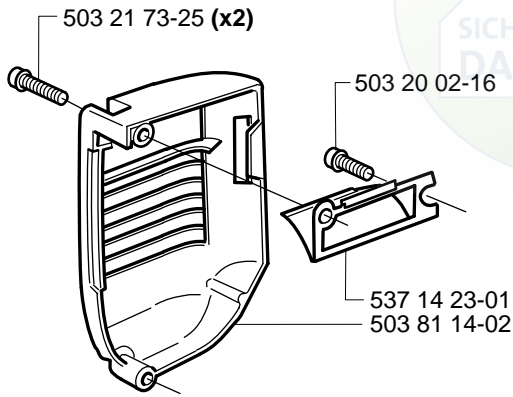


C



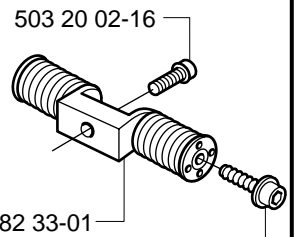
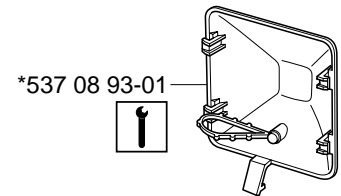
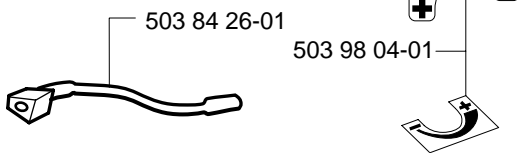


J

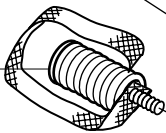


K

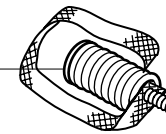
*compl 503 79 21-73



503 85 38-02



503 85 38-02



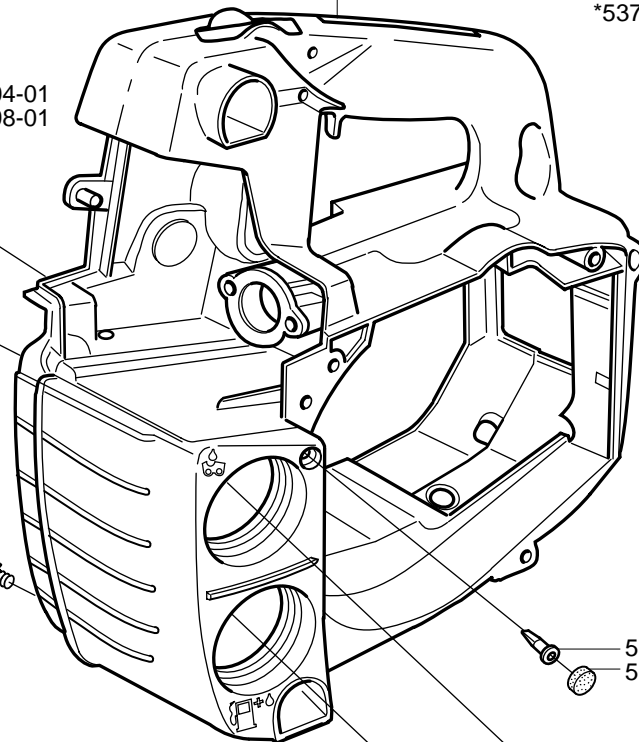
503 73 58-01



503 57 76-02



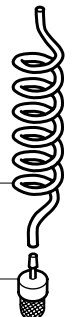
503 44 32-01



530 02 61-19*
503 98 13-01*

503 57 76-02

503 96 75-01

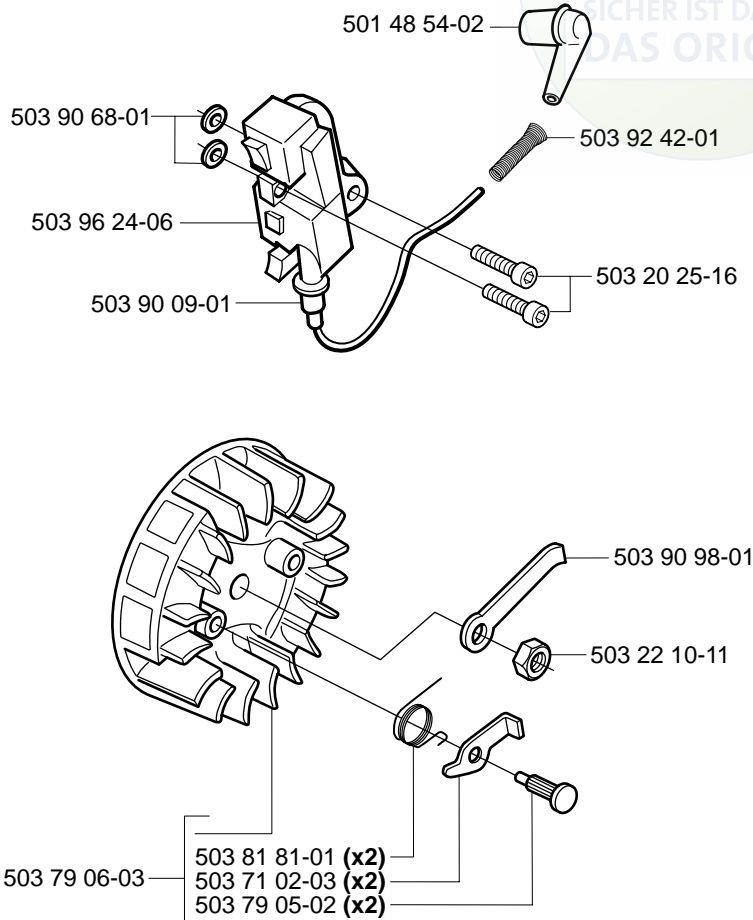


503 57 89-01
503 26 30-17
compl 501 81 96-04

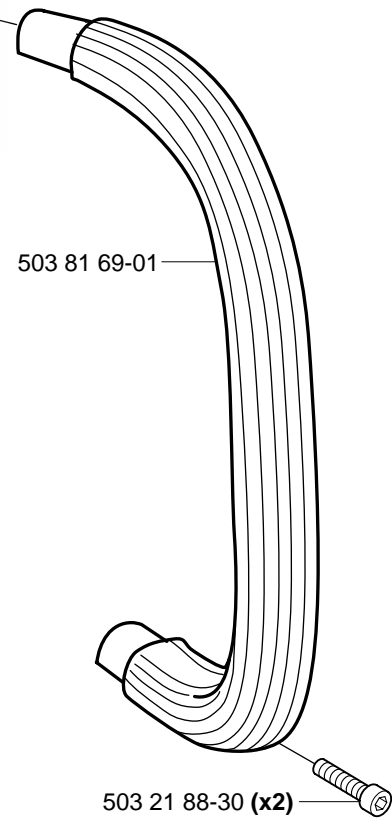
compl 501 81 96-02
503 57 89-01
503 26 30-17

503 96 32-01*

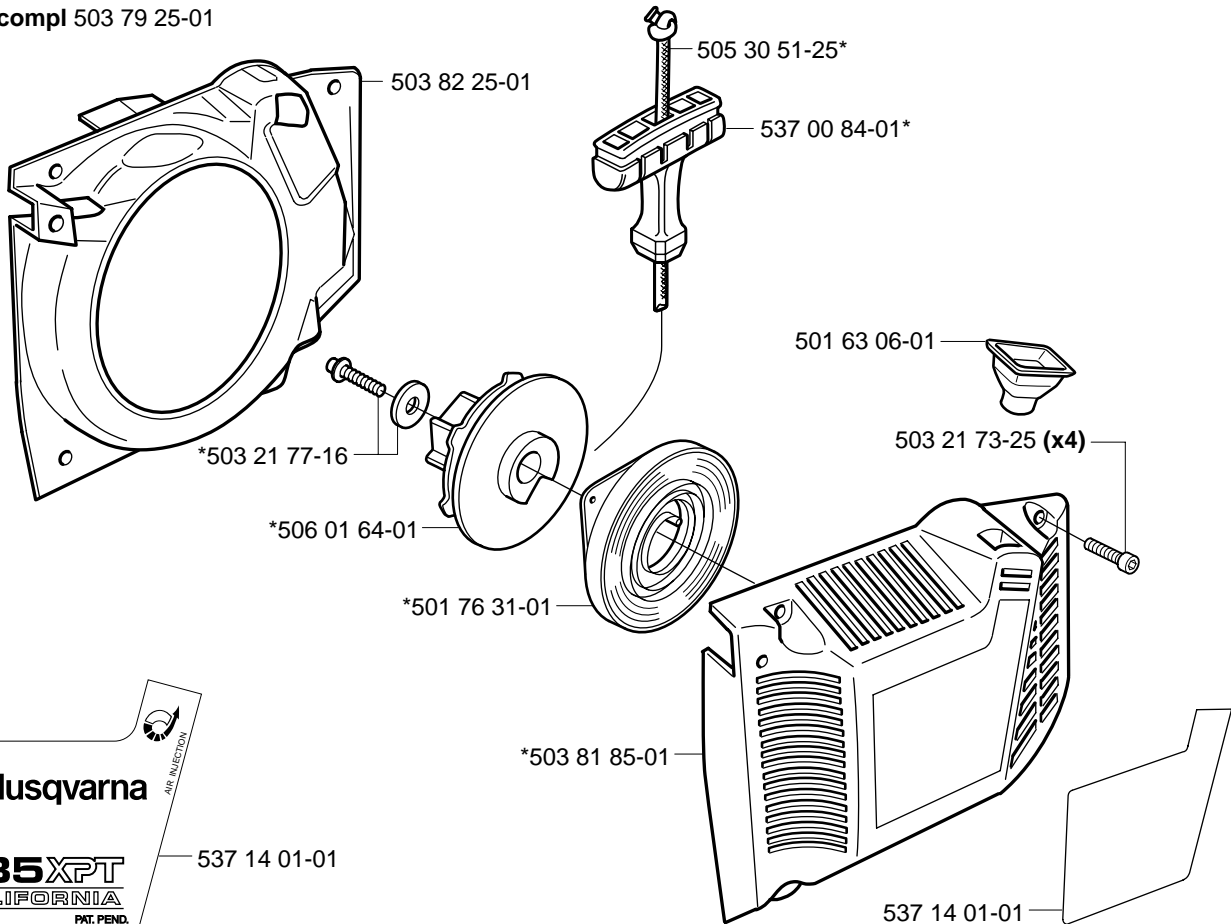
L



M

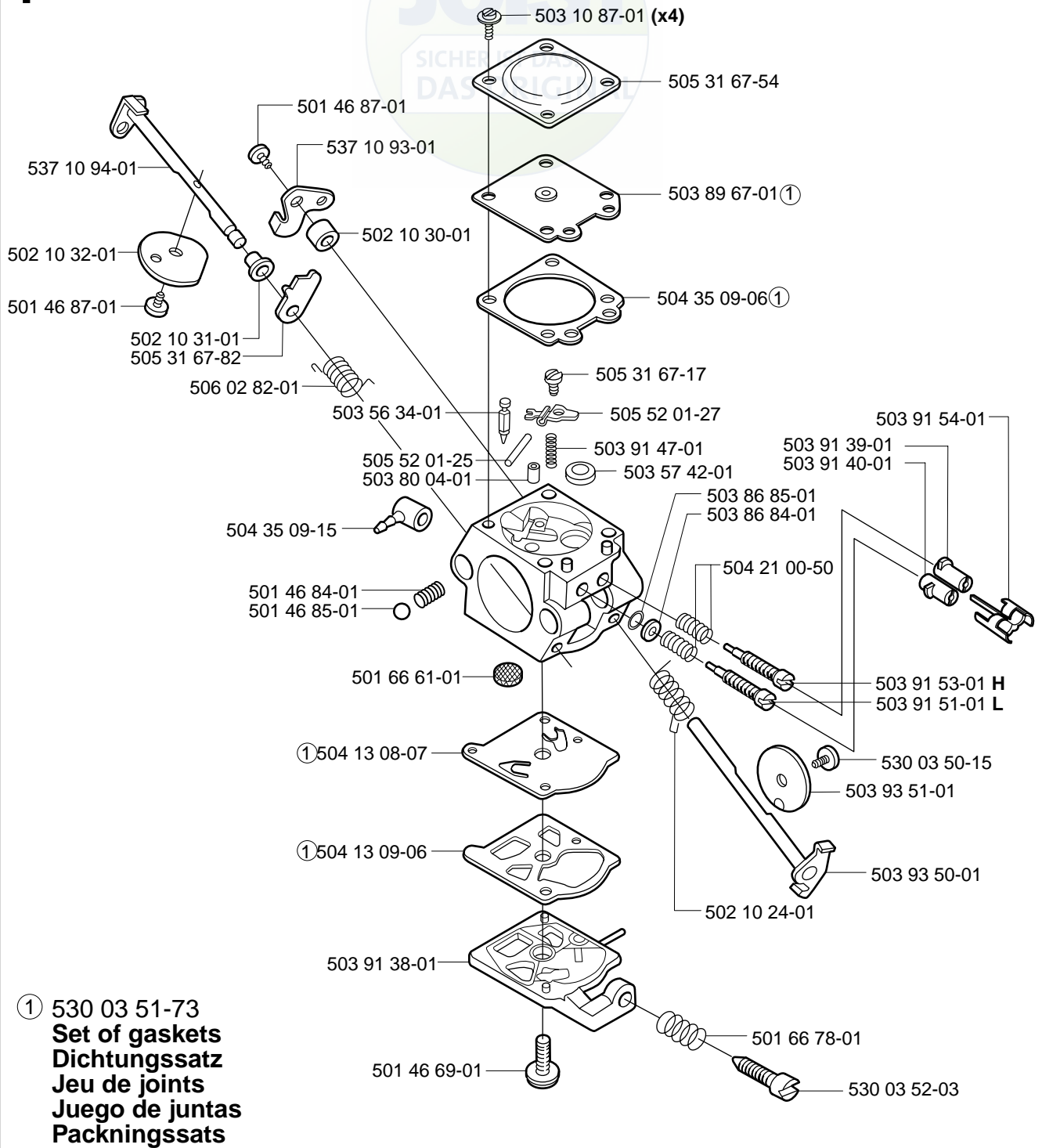


N *compl 503 79 25-01



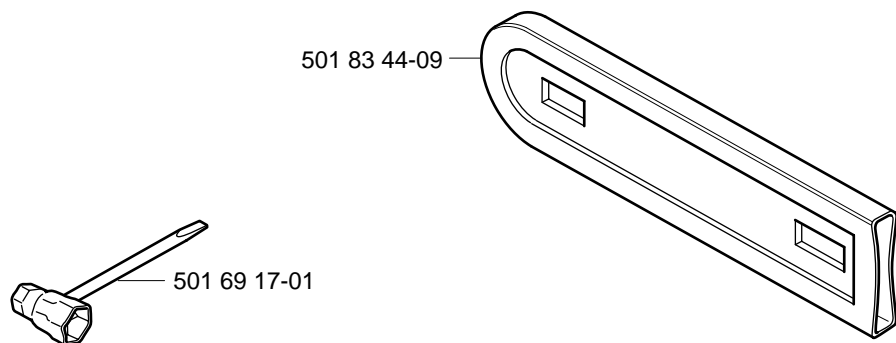
P compl 503 28 19-03

Walbro WT 582



① 530 03 51-73
Set of gaskets
Dichtungssatz
Jeu de joints
Juego de juntas
Packningssats

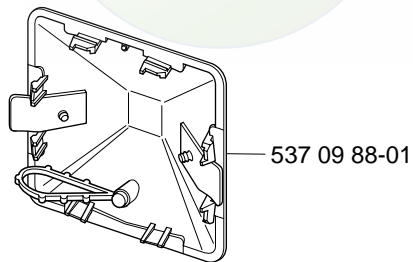
Q Accessories
Zubehöre
Accessoires
Acessorios
Tillbehör



R



Up to:
-001200207



For Husqvarna Parts Call 606-678-9623 or 606-561-4983

335XPT California

PART NUMBER	SQUARE NOTE	PART NUMBER	SQUARE NOTE	PART NUMBER	SQUARE NOTE	PART NUMBER	SQUARE NOTE
501 45 27-02	H	503 80 97-02	A N	505 31 67-54	P		
501 45 41-01	H	503 81 14-02	J	505 31 67-82	P		
501 45 43-01	H	503 81 32-01	K	505 52 01-25	P		
501 46 69-01	P	503 81 33-01	K	505 52 01-27	P		
501 46 84-01	P	503 81 34-01	K	506 01 64-01	N		
501 46 85-01	P	503 81 35-01	K	506 02 82-01	P		
501 46 87-01	P	503 81 69-01	M	530 02 61-19	K		
501 48 54-02	L	503 81 71-01	A	530 03 50-15	P		
501 62 33-01	H	503 81 73-01	A	530 03 51-73	P	1	
501 62 98-01	K	503 81 81-01	L				
501 63 06-01	N	503 81 85-01	N	530 03 52-03	P		
501 66 61-01	P	503 82 09-01	B	537 00 84-01	N		
501 66 78-01	P	503 82 11-01	E	537 02 15-01	D		
501 68 68-01	H	503 82 17-01	G	537 03 61-47	A		
501 69 17-01	Q	503 82 22-71	C N	537 04 61-01	H		
501 76 31-01	N	503 82 25-01	N	537 05 00-01	E N		
501 81 92-01	H	503 82 27-02	K	537 05 68-01	H N		
501 81 96-02	K	503 82 28-01	K	537 07 49-71	E N		
501 81 96-04	K	503 82 33-01	K	537 07 51-71	E N		
501 83 44-09	Q	503 84 26-01	K	537 08 29-01	E N		
501 87 53-01	A	503 84 53-71	F	537 08 93-01	K,R N		
502 10 24-01	P	503 85 13-01	K	537 09 28-01	A N		
502 10 30-01	P	503 85 38-02	K	537 09 61-01	E		
502 10 31-01	P	503 85 46-01	A	537 09 88-01	R N		
502 10 32-01	P	503 85 51-01	A	537 10 04-01	E N		
502 20 40-01	B	503 86 20-01	A	537 10 65-01	H N		
502 20 65-03	B	503 86 38-01	H	537 10 93-01	P N		
503 10 87-01	P	503 86 84-01	P	537 10 94-01	P N		
503 14 51-01	C	503 86 85-01	P	537 11 32-01	E N		
503 18 49-01	H	503 89 67-01	P	537 14 01-01	N		
503 20 02-16	G,J,K	503 90 09-01	L	537 14 23-01	J N		
503 20 02-25	H	503 90 68-01	L	720 12 33-00	A		
503 20 02-40	H	503 90 83-01	A	720 12 40-20	K		
503 20 25-16	L	503 90 88-01	A	720 12 46-20	K		
503 21 28-10	A,K	503 90 98-01	L	724 12 87-59	G		
503 21 73-25	J,N	503 91 38-01	P	725 52 91-55	E		
503 21 75-50	D	503 91 39-01	P	725 53 29-55	H		
503 21 77-16	N	503 91 40-01	P	729 56 55-01	K		
503 21 88-30	M	503 91 47-01	P	735 31 08-20	A		
503 22 00-01	A	503 91 51-01	P	735 31 10-20	A		
503 22 10-11	L	503 91 53-01	P	737 44 10-00	E		
503 23 00-16	H	503 91 54-01	P				
503 23 51-08	E	503 92 42-01	L				
503 25 46-01	C	503 92 96-01	K				
503 26 30-17	K	503 93 03-01	G				
503 28 19-03	D,P N	503 93 45-01	F				
503 28 90-44	E N	503 93 50-01	P				
503 41 41-01	E,F	503 93 51-01	P				
503 44 32-01	K	503 93 52-03	A				
503 52 12-04	C	503 93 53-01	A				
503 56 34-01	P	503 96 24-06	L N				
503 57 42-01	P	503 96 32-01	K				
503 57 76-02	K	503 96 71-01	D				
503 57 89-01	K	503 96 72-01	D				
503 60 04-01	K	503 96 75-01	K				
503 71 02-03	L N	503 97 81-02	H N				
503 71 40-03	C	503 97 82-01	H				
503 72 31-01	H	503 98 04-01	K				
503 73 58-01	K	503 98 13-01	K				
503 78 92-01	H	503 98 62-01	H N				
503 78 99-01	E N	503 98 74-01	A				
503 79 05-02	L	504 13 08-07	P				
503 79 06-03	L	504 13 09-06	P				
503 79 21-73	K	504 21 00-50	P				
503 79 22-71	H	504 34 00-04	E				
503 79 25-01	N	504 35 09-06	P				
503 79 26-01	B						
503 80 04-01	P	504 35 09-15	P				
503 80 52-01	A	505 30 51-25	N				
503 80 83-02	H	505 31 67-17	P				

1 = 530 03 51-73

Set of gaskets
Dichtungssatz
Jeu de joints
Juego de juntas
Packningssats

N = New part
Neues teil
Nouvelle piece
Nueva pieza
Ny detalj