



For Husqvarna Parts Call 606-678-9623 or 606-561-4983

 **Husqvarna**

SERVICE 		13
		I0200101

IPL, 326 SX, 2002-10, 106 29 12-61

326SX

Spare parts

Ersatzteile

Pièces détachées

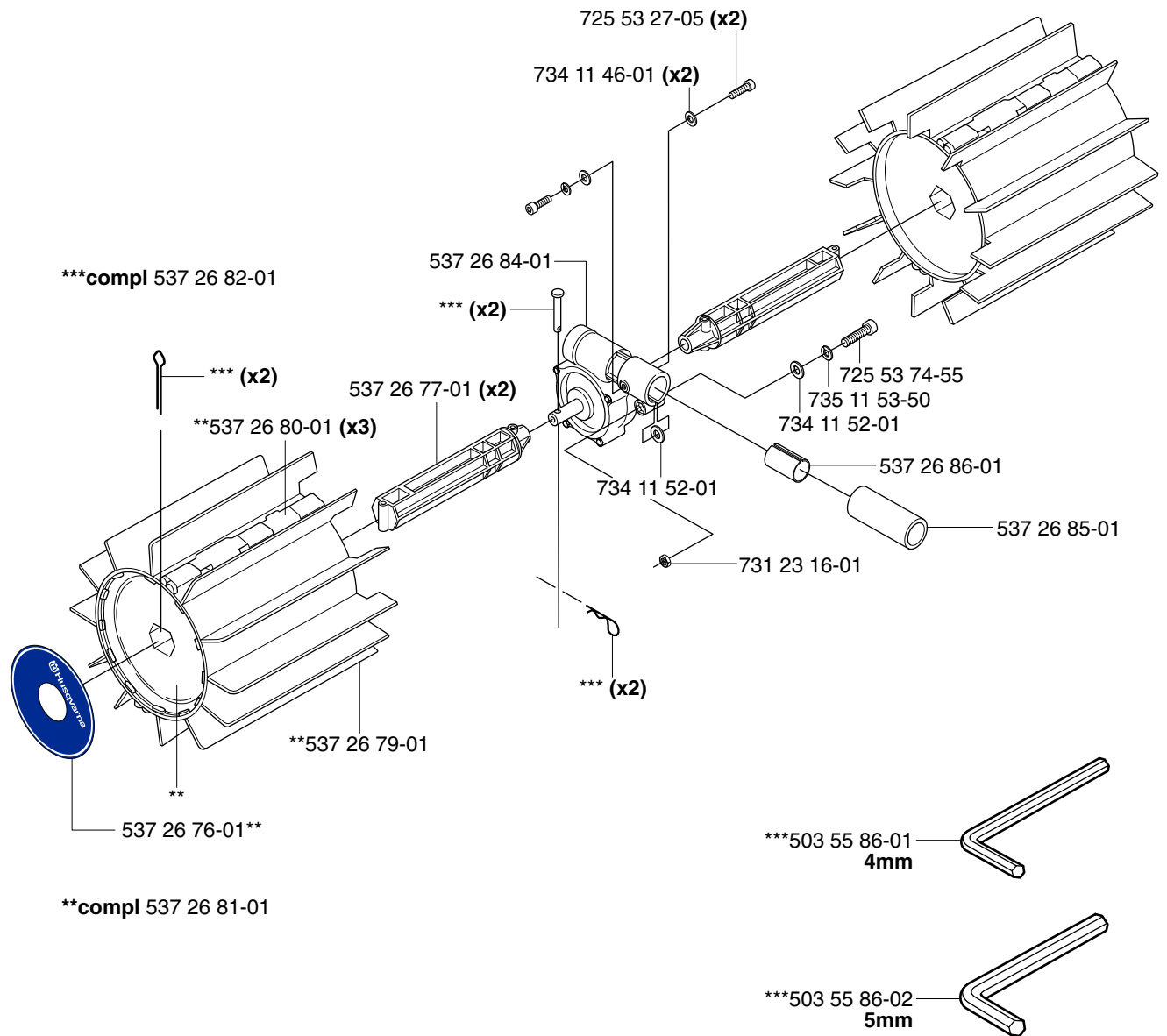
Reserve onderdelen

Repuestos

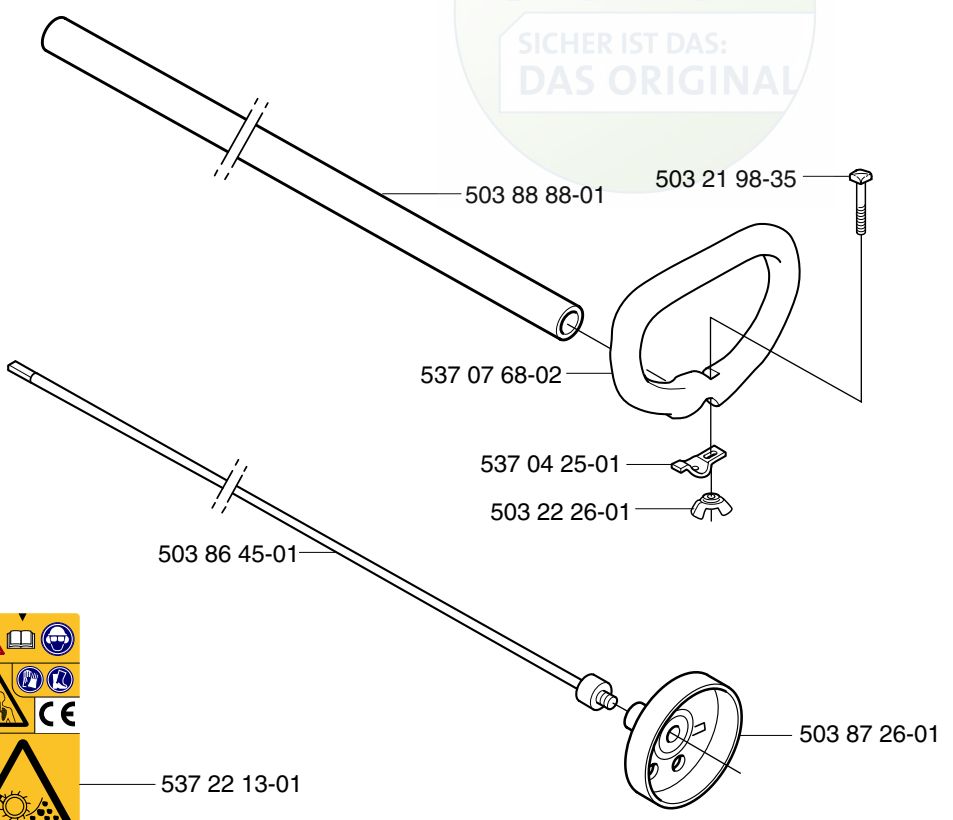
Reservdelar

106 29 12-61

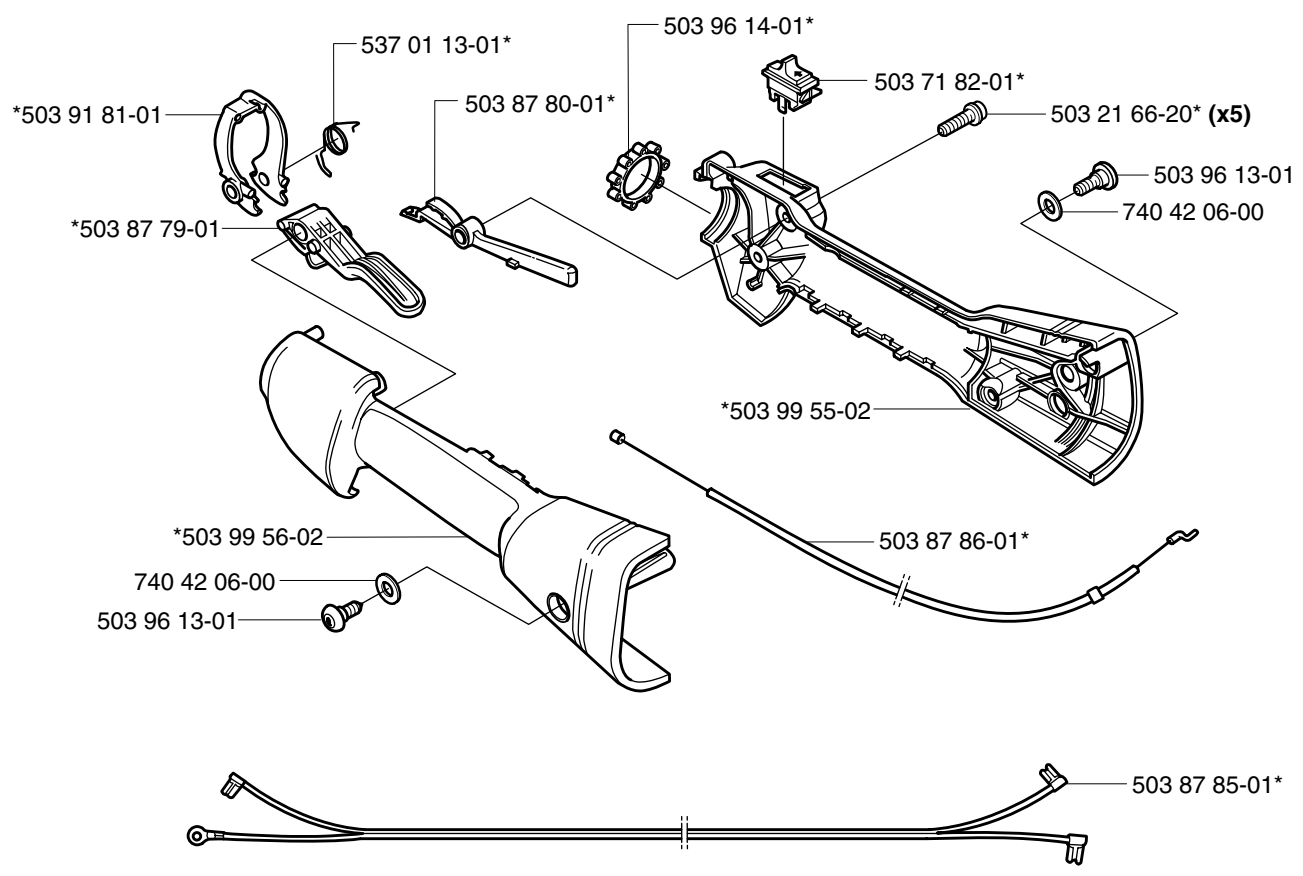
A 326Sx



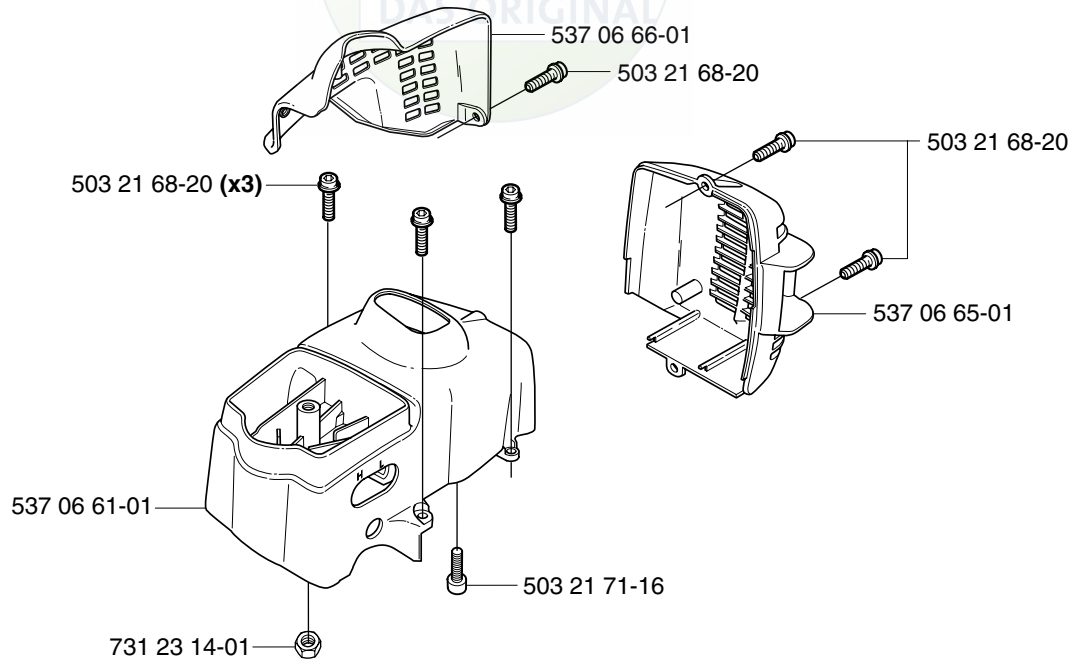
B 326Sx



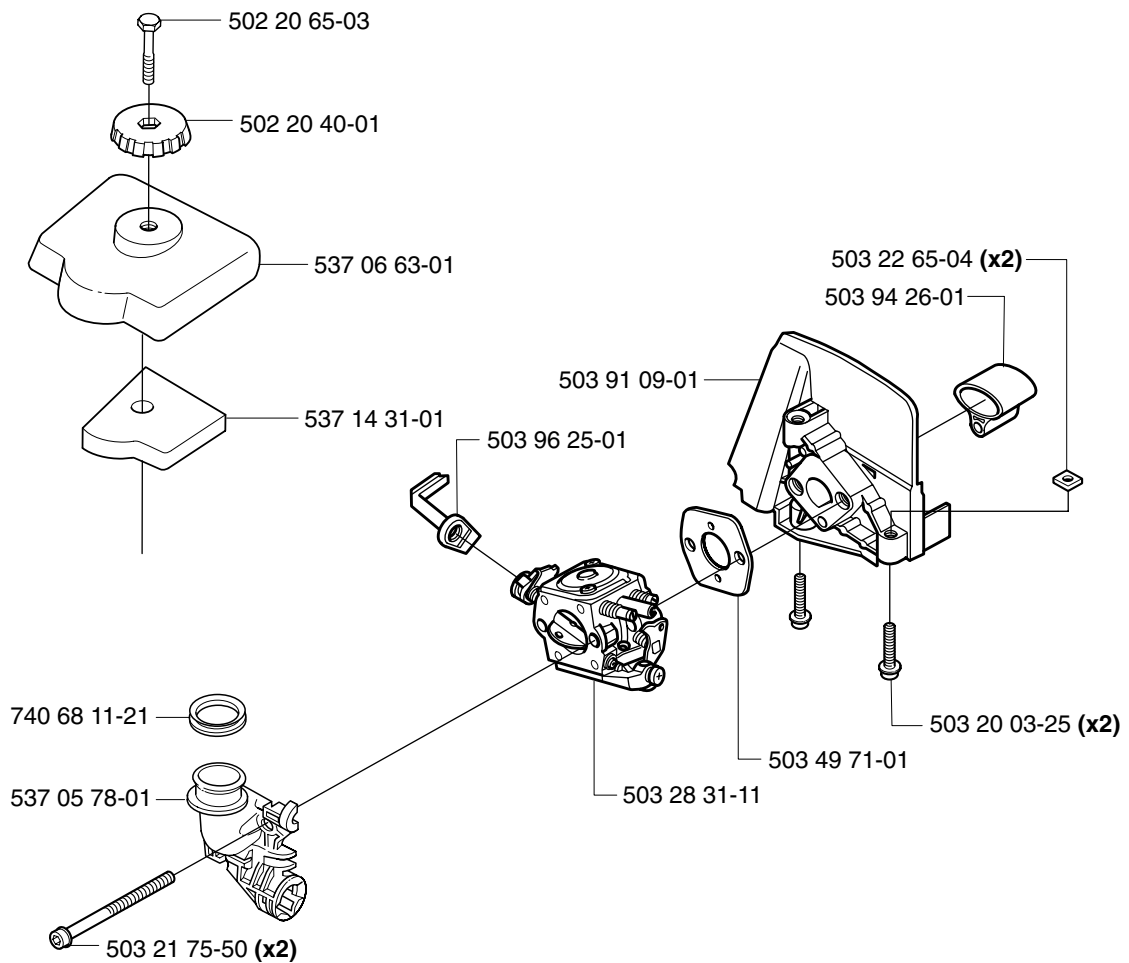
C 326Sx
*compl 503 85 29-02



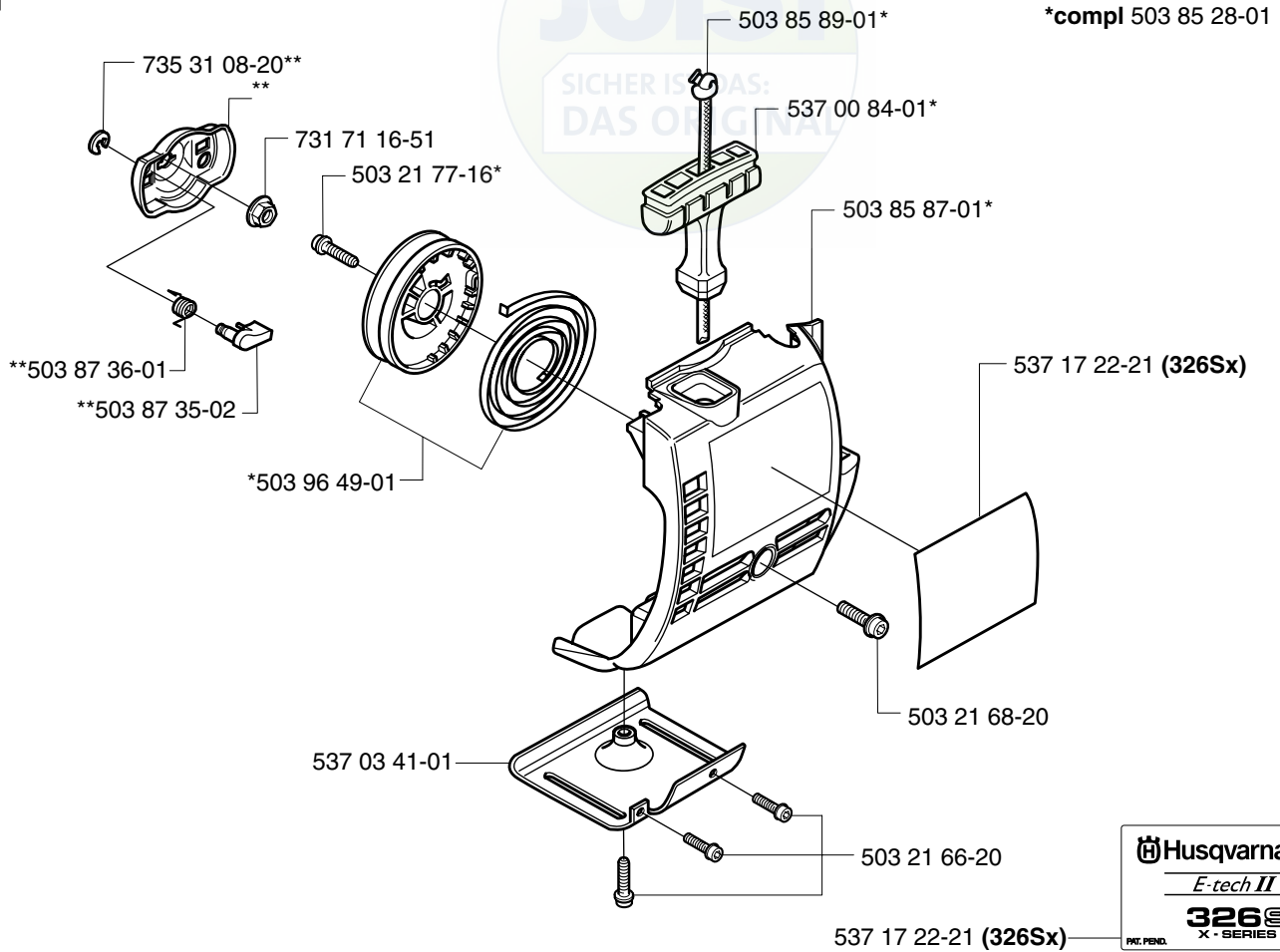
D



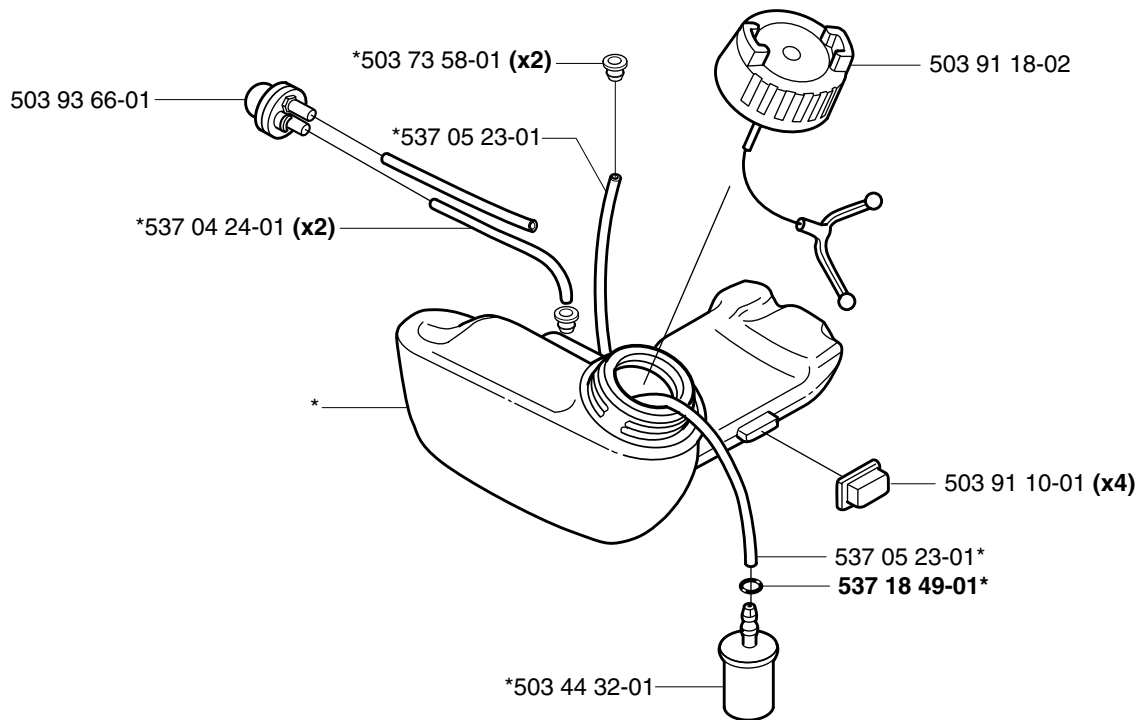
E

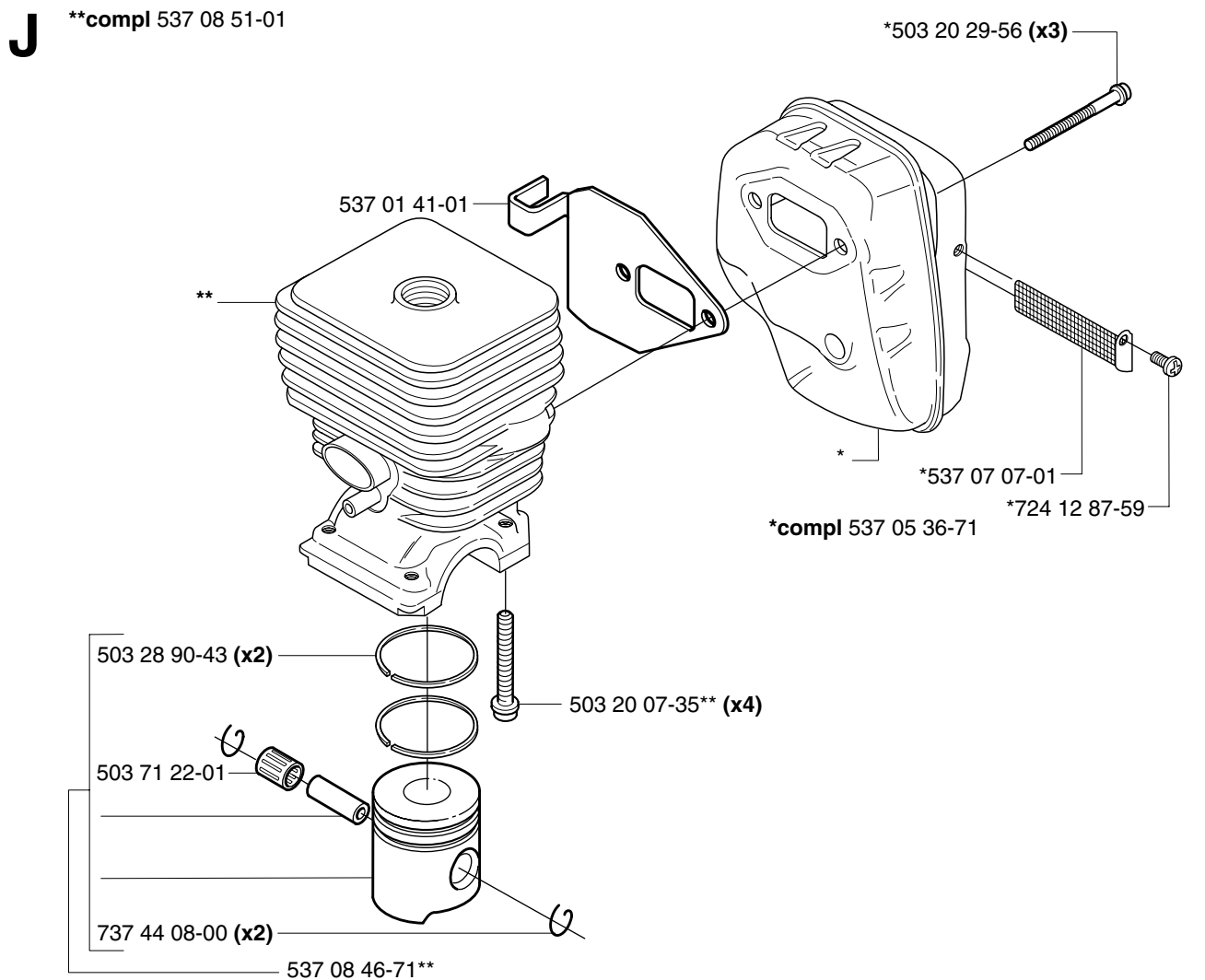
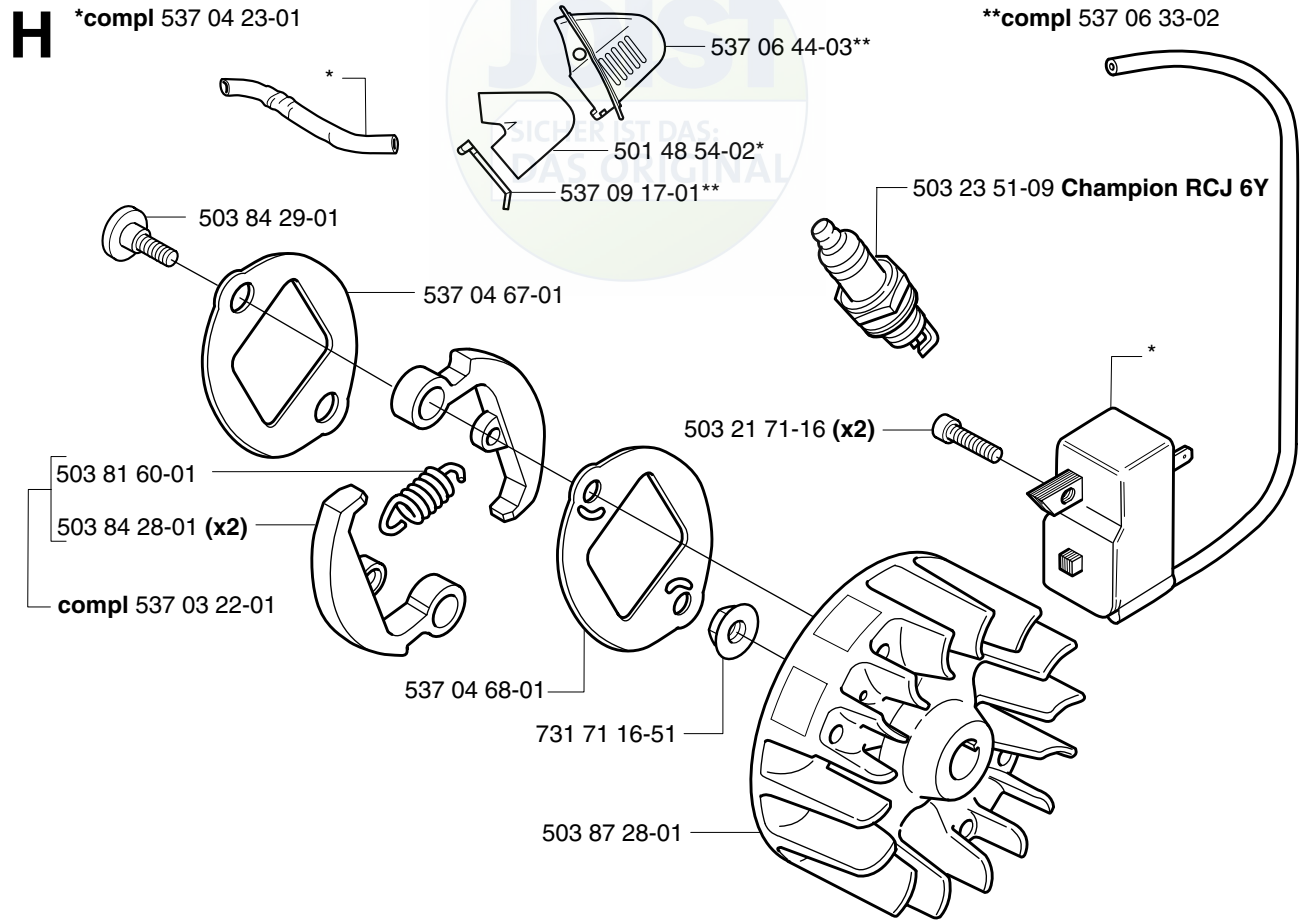


F **compl 503 87 33-02

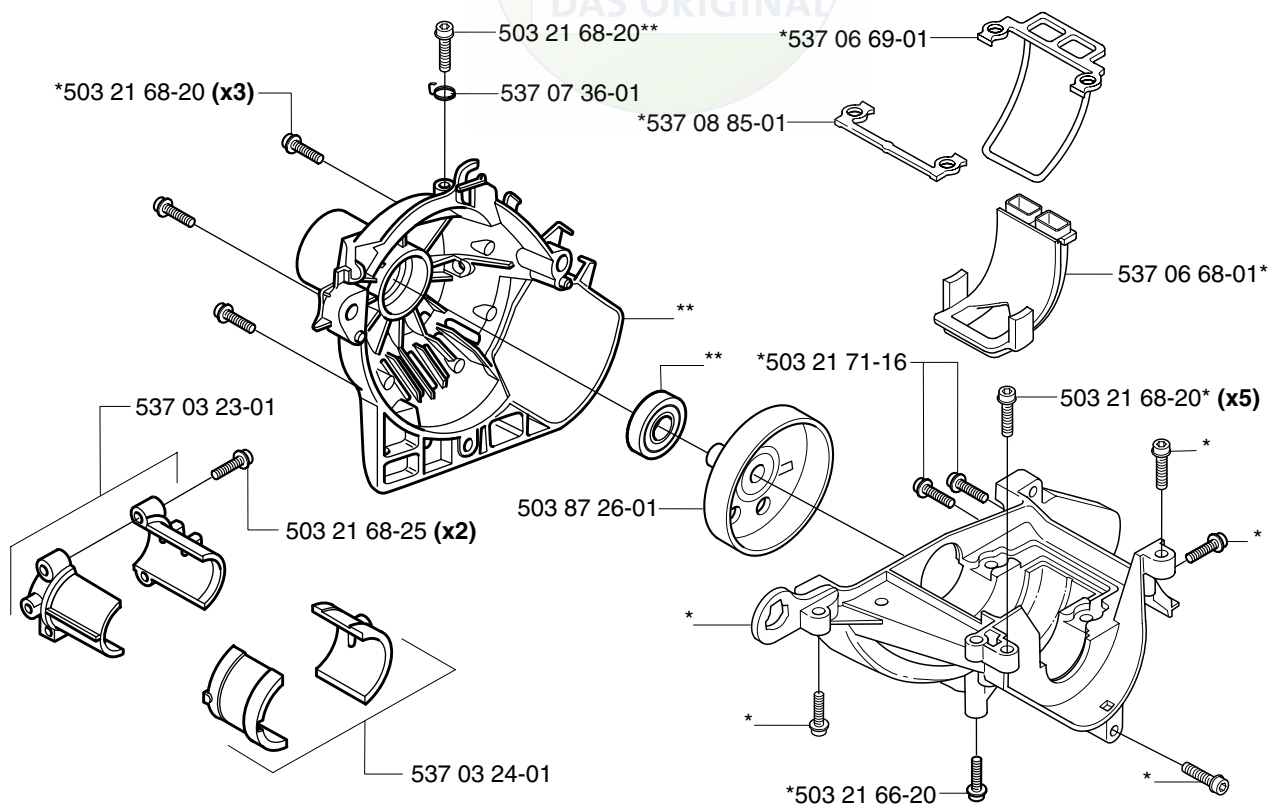
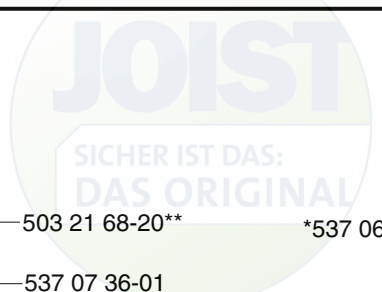


G *compl 537 06 86-01

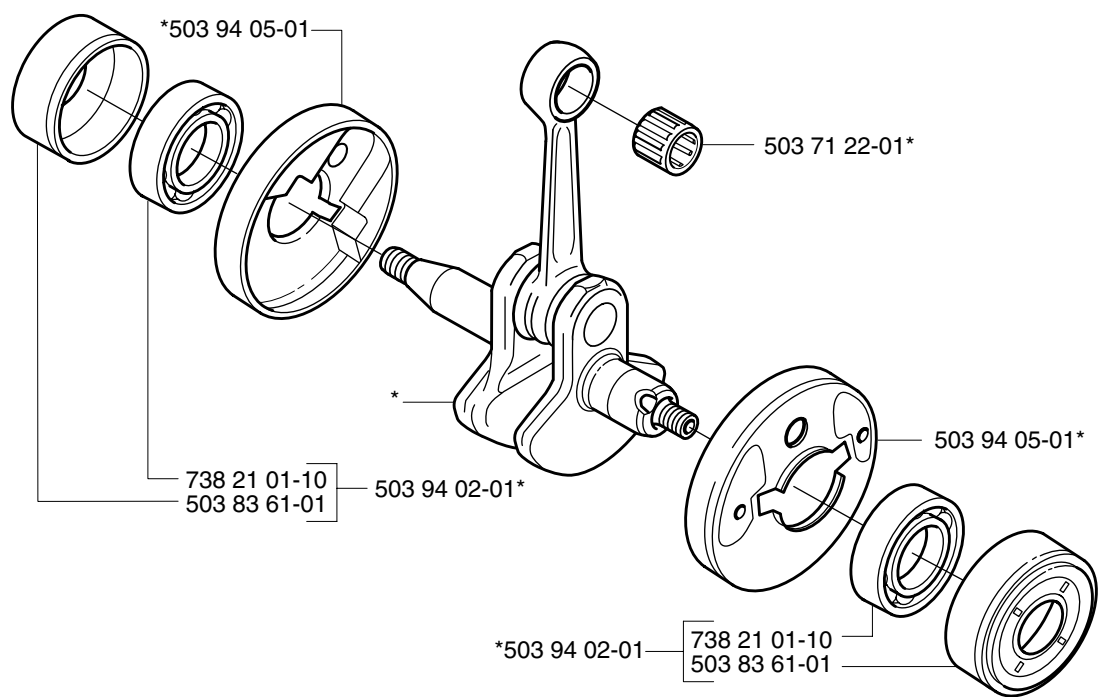




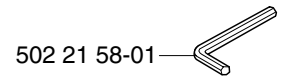
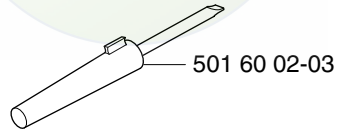
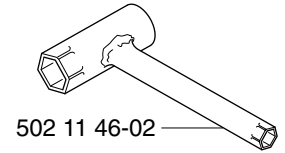
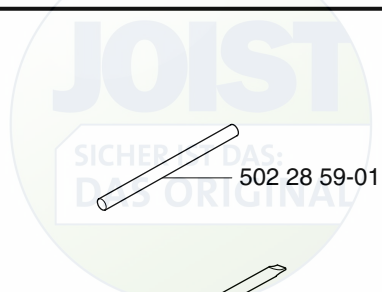
K *compl 537 08 52-01
 **compl 537 04 12-03



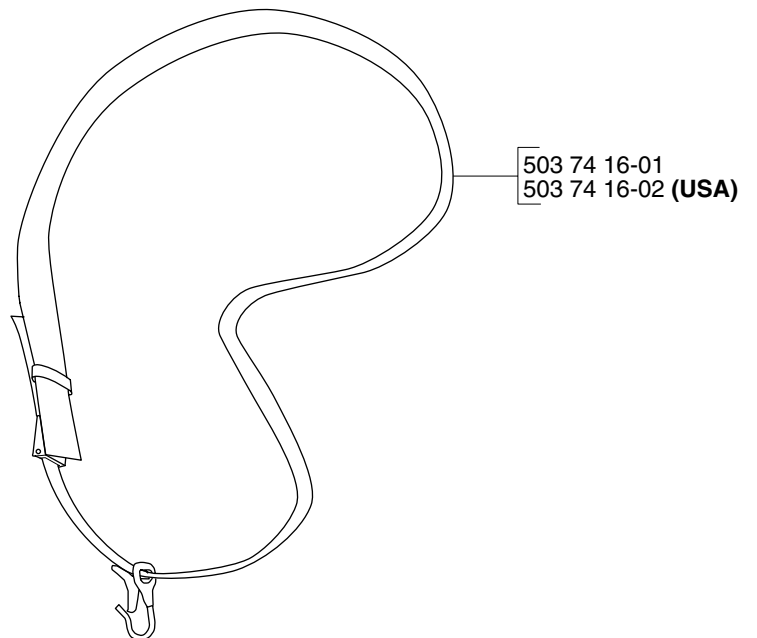
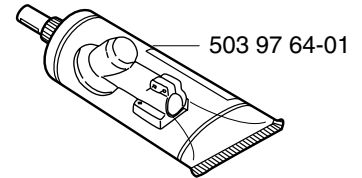
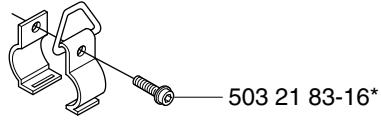
L *compl 503 85 24-74



M Accessories
Zubehöre
Accessoires
Acessorios
Tillbehör

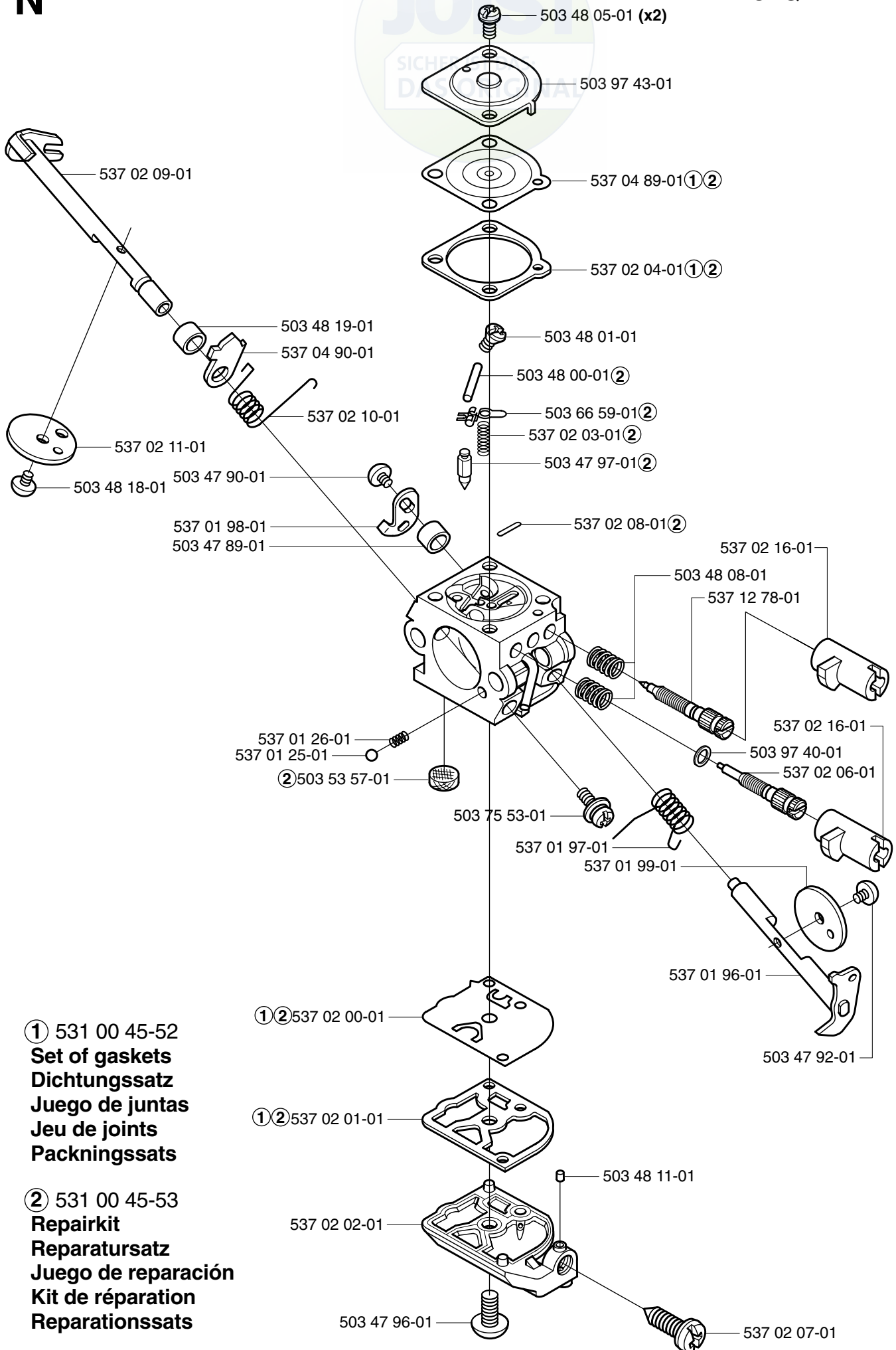


*compl 501 78 33-01



N compl 503 28 31-11

ZAMA C1Q - EL 12



① 531 00 45-52
Set of gaskets
Dichtungssatz
Juego de juntas
Jeu de joints
Packningssats

② 531 00 45-53
Repairkit
Reparatursatz
Juego de reparación
Kit de réparation
Reparationssats

For Husqvarna Parts Call 606-678-9623 or 606-561-4983

326SX

PART NUMBER	SQUARE NOTE	PART NUMBER	SQUARE NOTE	PART NUMBER	SQUARE NOTE	PART NUMBER	SQUARE NOTE
501 48 54-02	H	503 91 18-02	G	537 12 78-01	N		
501 60 02-03	M	503 91 81-01	C	537 14 31-01	E		
501 78 33-01	M	503 93 66-01	G	537 17 22-21	F	N	
502 11 46-02	M	503 94 02-01	L	537 18 49-01	G		
502 20 40-01	E	503 94 05-01	L	537 22 13-01	B		
502 20 65-03	E	503 94 11-01	D	537 26 76-01	A	N	
502 21 58-01	M	503 94 26-01	E	537 26 77-01	A	N	
502 28 59-01	M	503 96 13-01	C	537 26 79-01	A	N	
503 20 03-25	E	503 96 14-01	C	537 26 80-01	A	N	
503 20 07-35	J	503 96 25-01	E	537 26 81-01	A	N	
503 20 29-56	J	503 96 49-01	F	537 26 82-01	A	N	
503 21 66-20	CFK	503 97 40-01	N	537 26 84-01	A	N	
503 21 68-20	DFK	503 97 43-01	N	537 26 85-01	A	N	
503 21 68-25	K	503 97 64-01	M	537 26 86-01	A	N	
503 21 71-16	DHK	503 99 55-02	C	724 12 87-59	J		
503 21 75-50	E	503 99 56-02	C	725 53 27-05	A	N	
503 21 77-16	F	531 00 45-52	N	725 53 74-55	A	N	
503 21 83-16	M	537 00 84-01	F	731 23 14-01	D		
503 21 98-35	B	537 01 13-01	C	731 23 16-01	A	N	
503 22 26-01	B	537 01 25-01	N	731 71 16-51	FH		
503 22 65-04	E	537 01 26-01	N	734 11 46-01	A		
503 23 51-09	H	537 01 41-01	J	734 11 52-01	A	N	
503 28 31-11	EN	537 01 96-01	N	735 11 53-50	A	N	
503 28 90-43	J	537 01 97-01	N	735 31 08-20	F		
503 44 32-01	G	537 01 98-01	N	737 44 08-00	J		
503 47 89-01	N	537 01 99-01	N	738 21 01-10	L		
503 47 90-01	N	537 02 00-01	N	740 42 06-00	C		
503 47 92-01	N	537 02 01-01	N	740 68 11-21	E		
503 47 96-01	N	537 02 02-01	N				
503 47 97-01	N	537 02 03-01	N				
503 48 00-01	N	537 02 04-01	N				
503 48 01-01	N	537 02 06-01	N				
503 48 05-01	N	537 02 07-01	N				
503 48 08-01	N	537 02 08-01	N				
503 48 11-01	N	537 02 09-01	N				
503 48 18-01	N	537 02 10-01	N				
503 48 19-01	N	537 02 11-01	N				
503 49 71-01	E	537 02 16-01	N				
503 53 57-01	N	537 03 22-01	H				
503 55 86-01	A	537 03 23-01	K				
503 55 86-02	A	537 03 24-01	K				
503 66 59-01	N	537 03 41-01	F				
503 71 22-01	JL	537 04 12-03	K				
503 71 82-01	C	537 04 23-01	H				
503 73 58-01	G	537 04 24-01	G				
503 74 16-01	M	537 04 25-01	B				
503 74 16-02	M	537 04 67-01	H				
503 75 53-01	N	537 04 68-01	H				
503 81 60-01	H	537 04 89-01	N				
503 83 61-01	L	537 04 90-01	N				
503 84 28-01	H	537 05 23-01	G				
503 84 29-01	H	537 05 36-71	J				
503 85 24-74	L	537 05 78-01	E				
503 85 28-01	F	537 06 33-02	H				
503 85 29-02	C	537 06 44-03	H				
503 85 87-01	F	537 06 61-01	D				
503 85 89-01	F	537 06 63-01	E				
503 86 45-01	B	537 06 65-01	D				
503 87 26-01	BK	537 06 66-01	D				
503 87 28-01	H	537 06 68-01	K				
503 87 33-02	F	537 06 69-01	K				
503 87 35-02	F	537 06 86-01	G				
503 87 36-01	F	537 07 07-01	J				
503 87 79-01	C	537 07 36-01	K				
503 87 80-01	C	537 07 68-02	B				
503 87 85-01	C	537 08 46-71	J				
503 87 86-01	C	537 08 51-01	J				
503 88 88-01	B	537 08 52-01	K				
503 91 09-01	E	537 08 85-01	K				
503 91 10-01	G	537 09 17-01	H				

Set of gaskets, Dichtungssats,
Jeu de joints, Juego de juntas,
Packingssats

N = New part, Neues teil,
Nouvelle piece, Nueva pieza
Ny detalj