

323P4

325P5

X-SERIES

Saw attachment

Spare parts

Ersatzteile

Pièces détachées

Reserve onderdelen

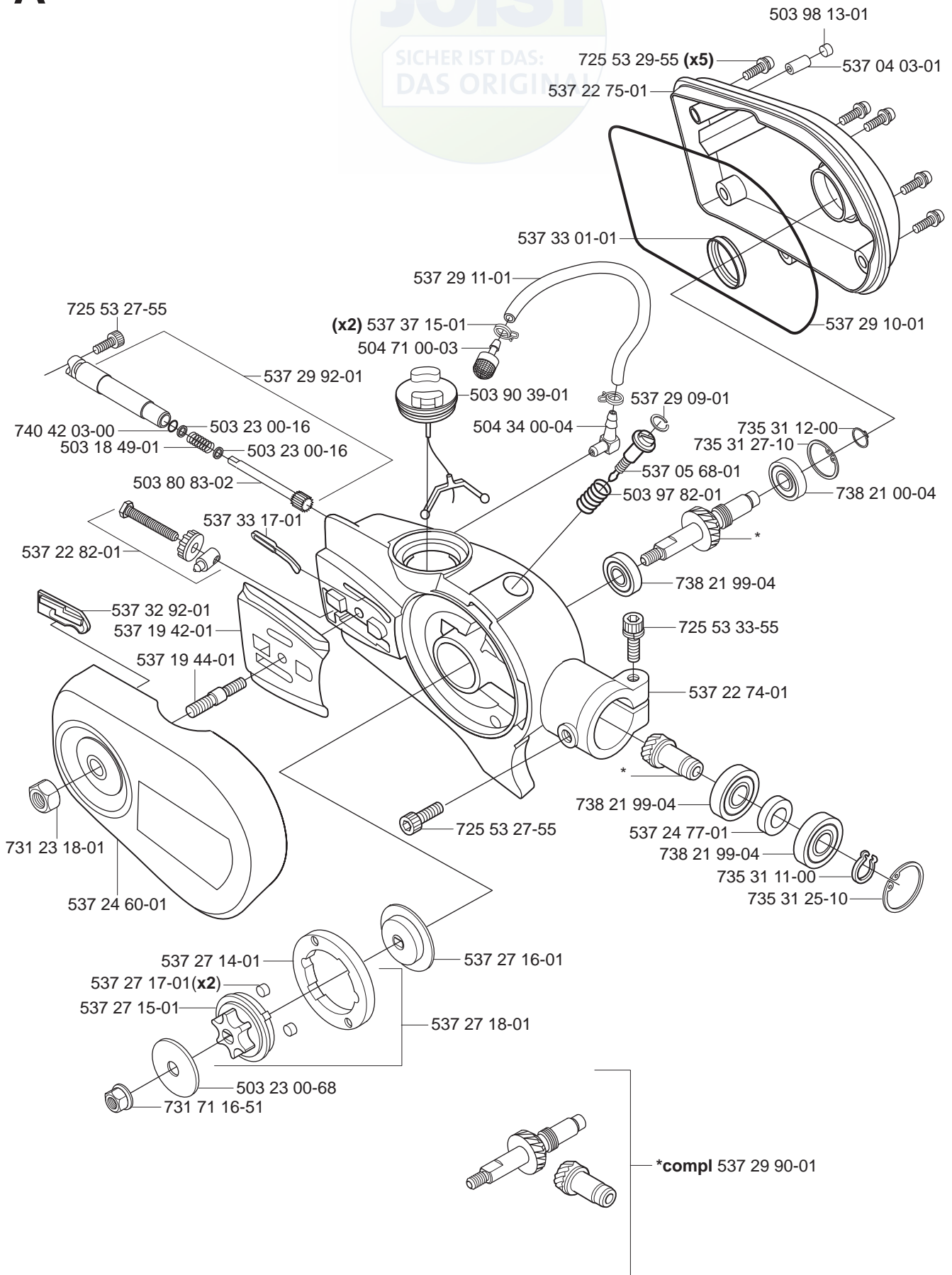
Repuestos

Reservdelar

A

JOIST

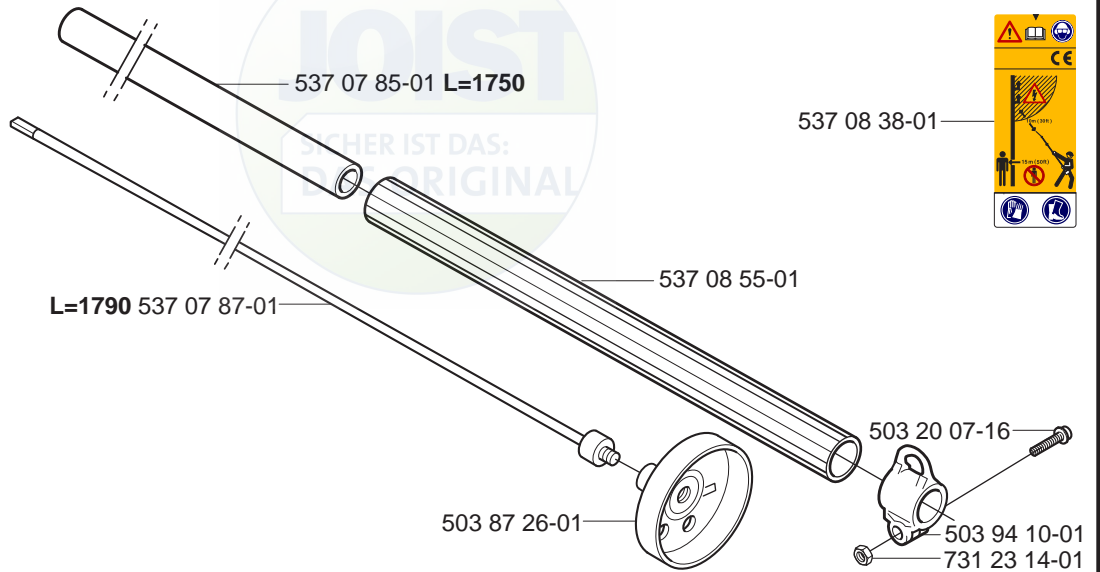
SICHER IST DAS:
DAS ORIGINAL



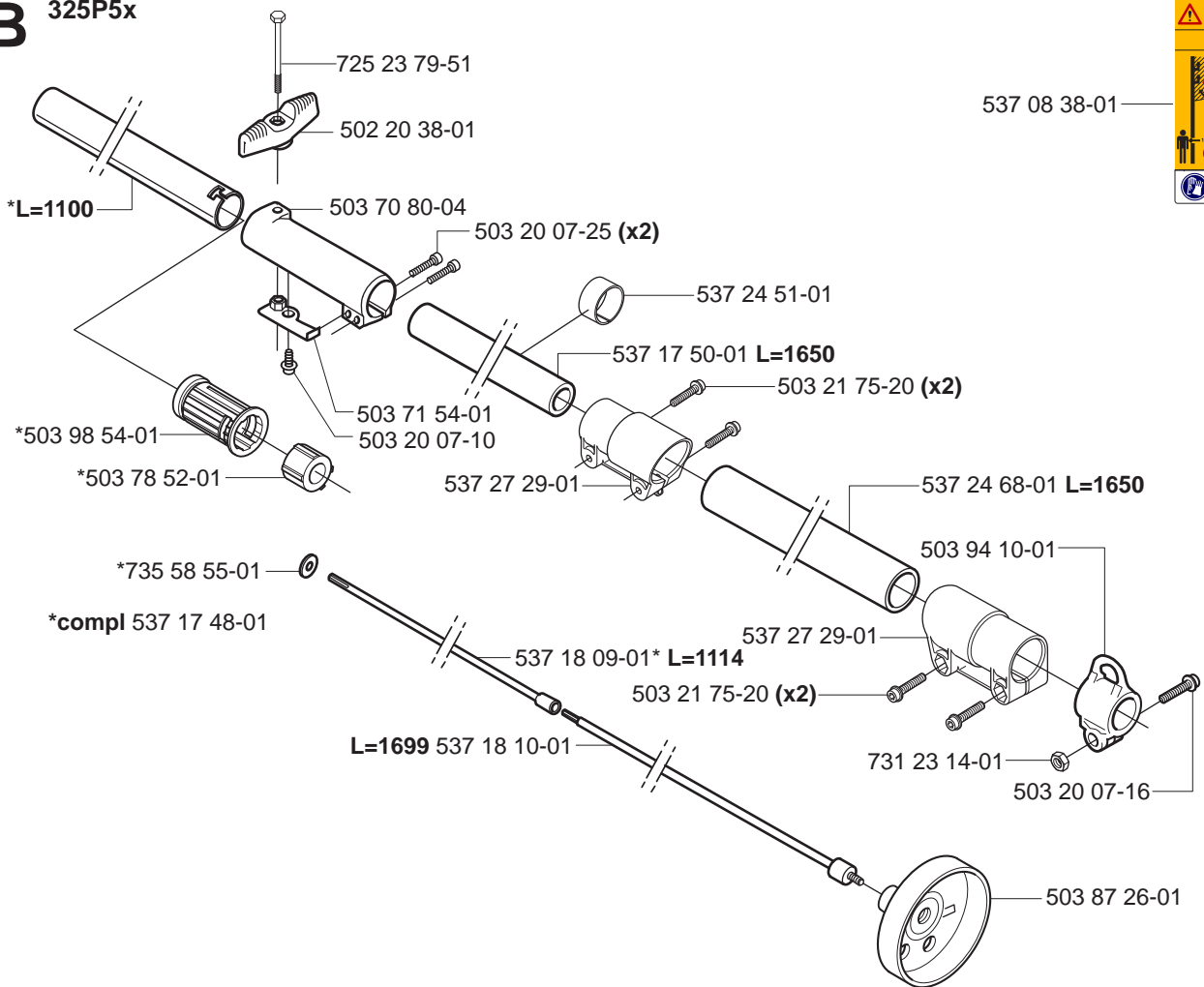
537 23 00-01



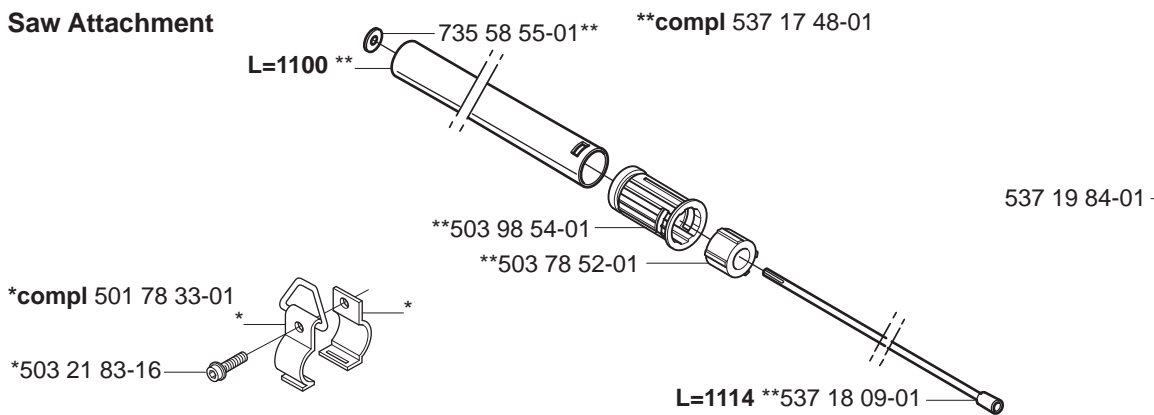
B 323P4



B 325P5x

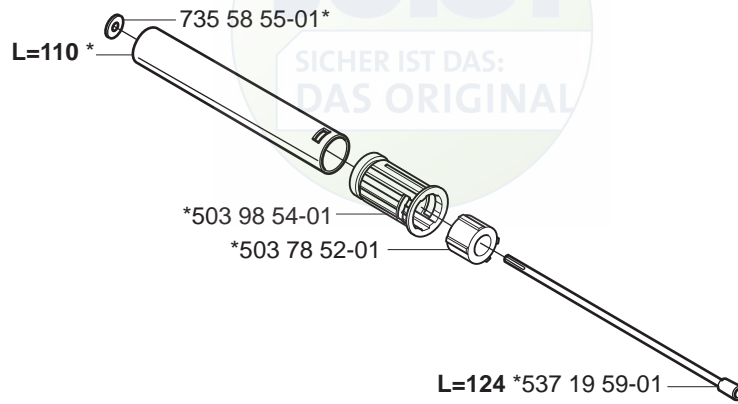


B Saw Attachment



B Saw Attachment

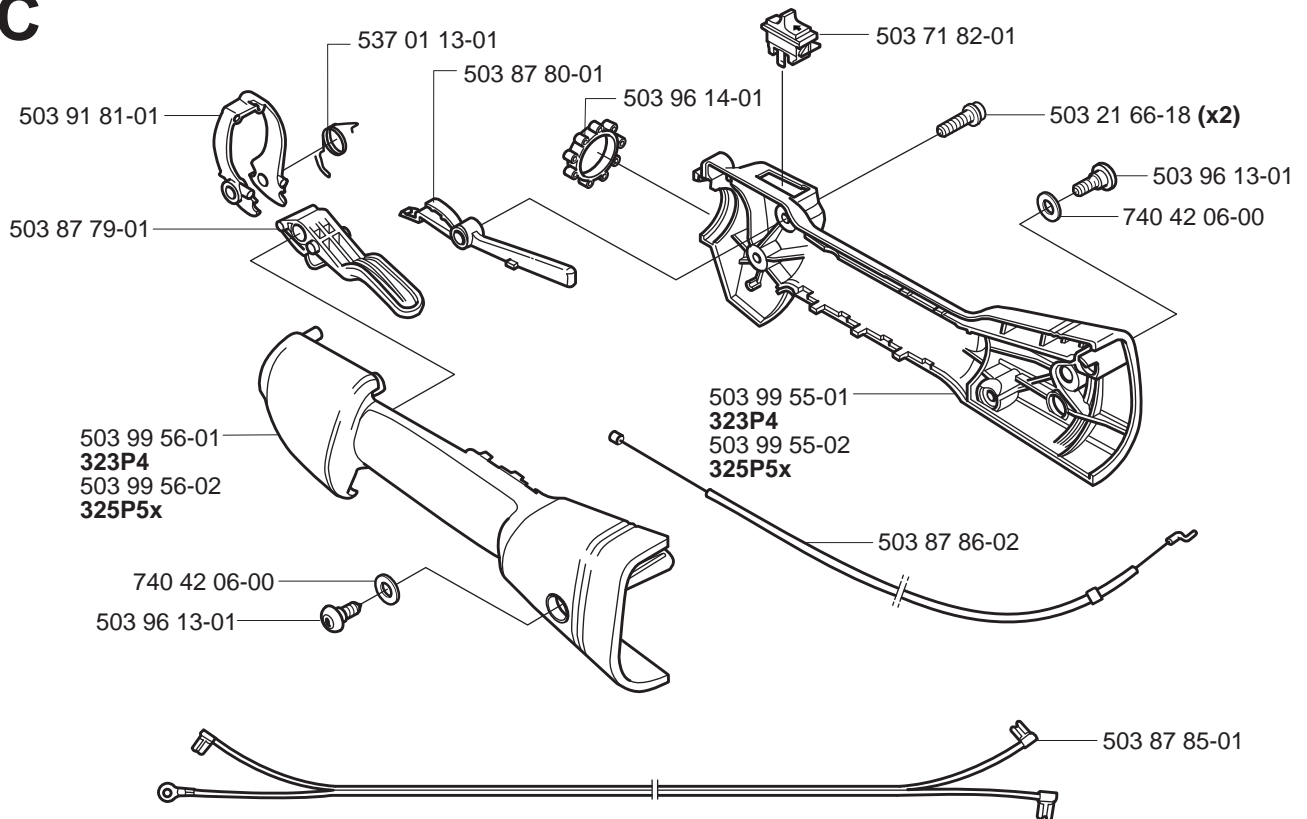
*compl 537 19 58-01



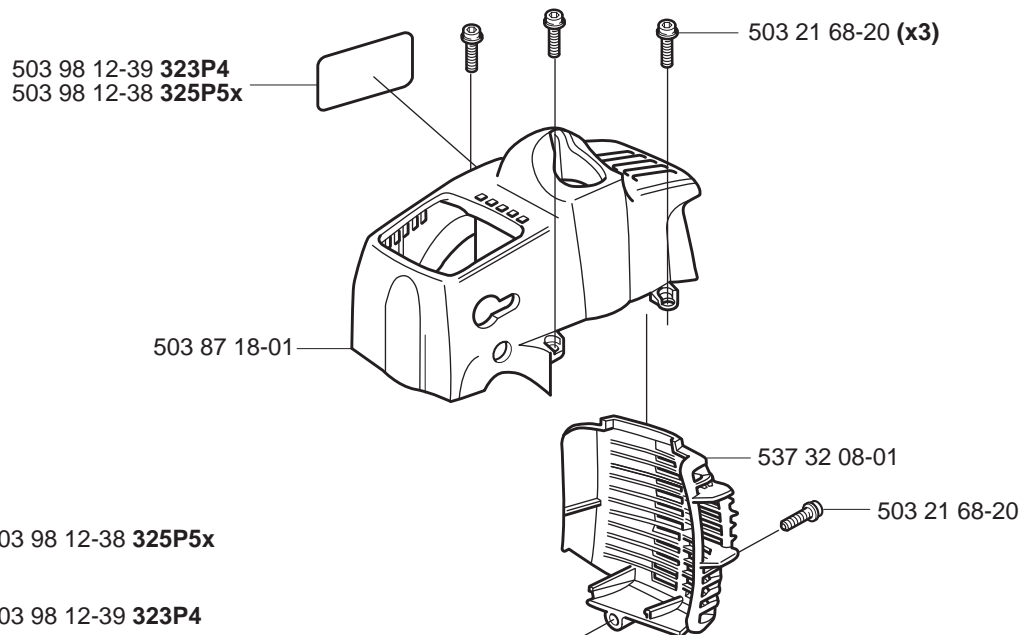
537 19 84-01



C



D



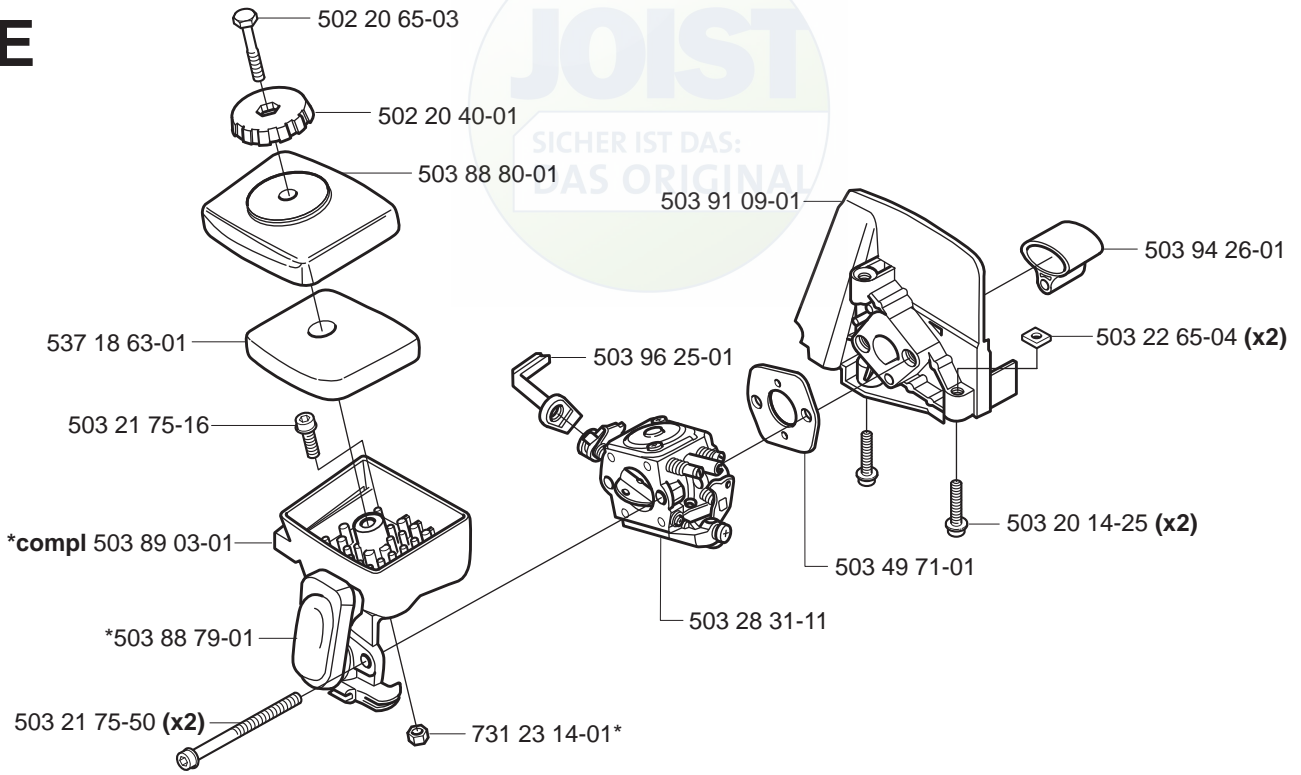
Husqvarna
325P5
X-SERIES

503 98 12-38 325P5x

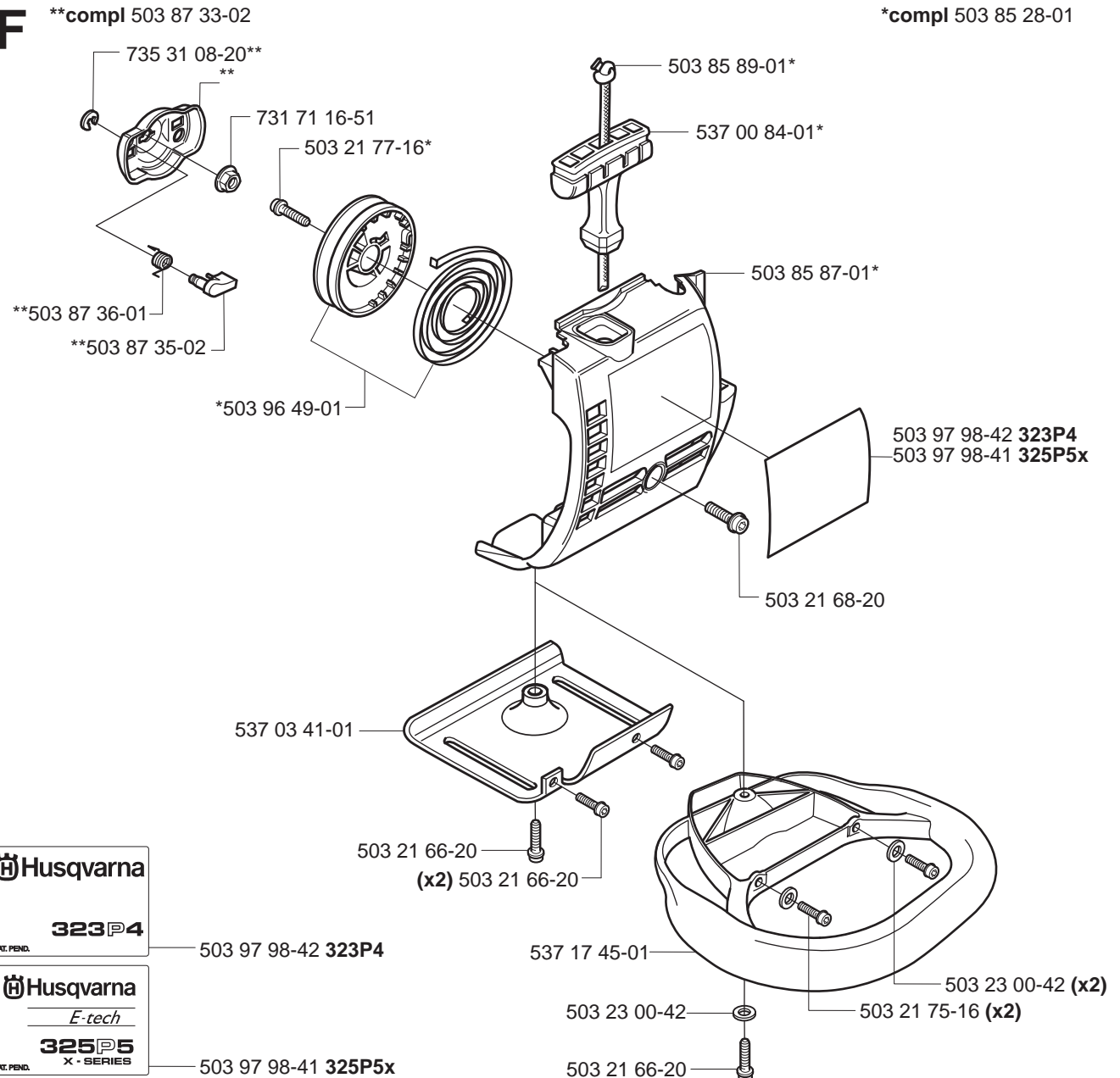
Husqvarna
323P4

503 98 12-39 323P4

E



F



Husqvarna

323P4

PAT. PEND.

503 97 98-42 323P4

Husqvarna

E-tech

325P5

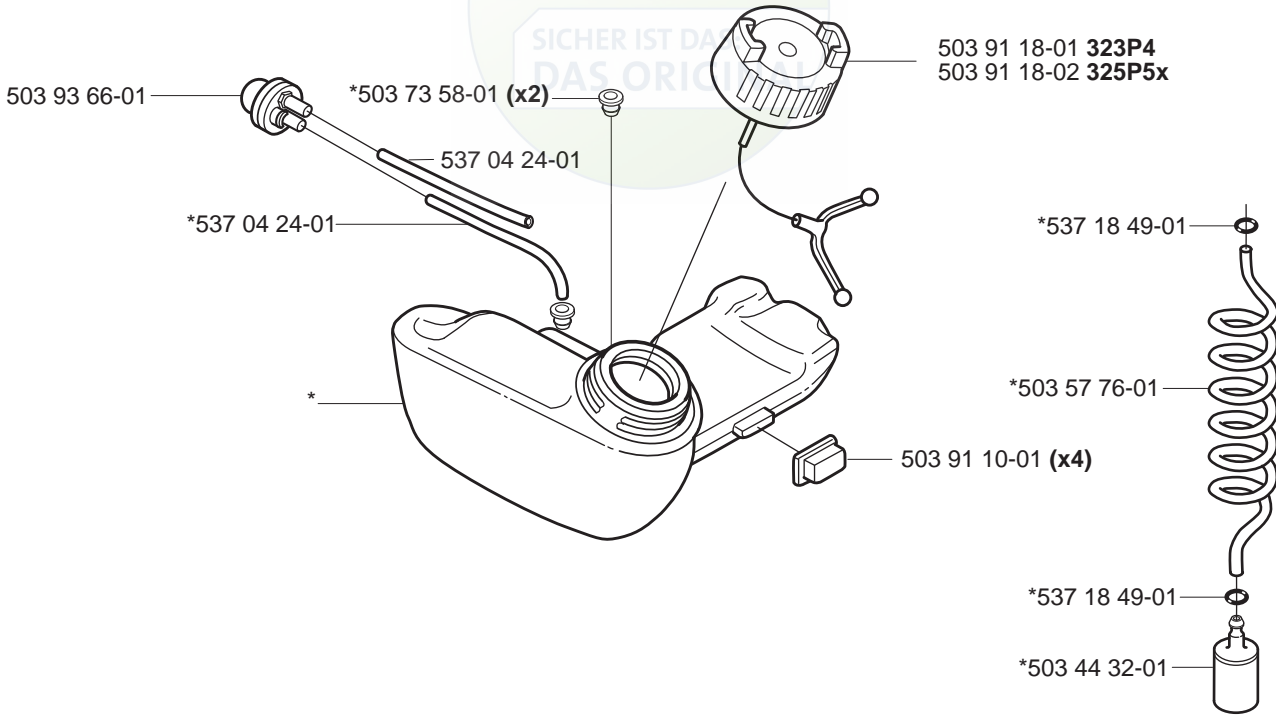
PAT. PEND.

X-SERIES

503 97 98-41 325P5x

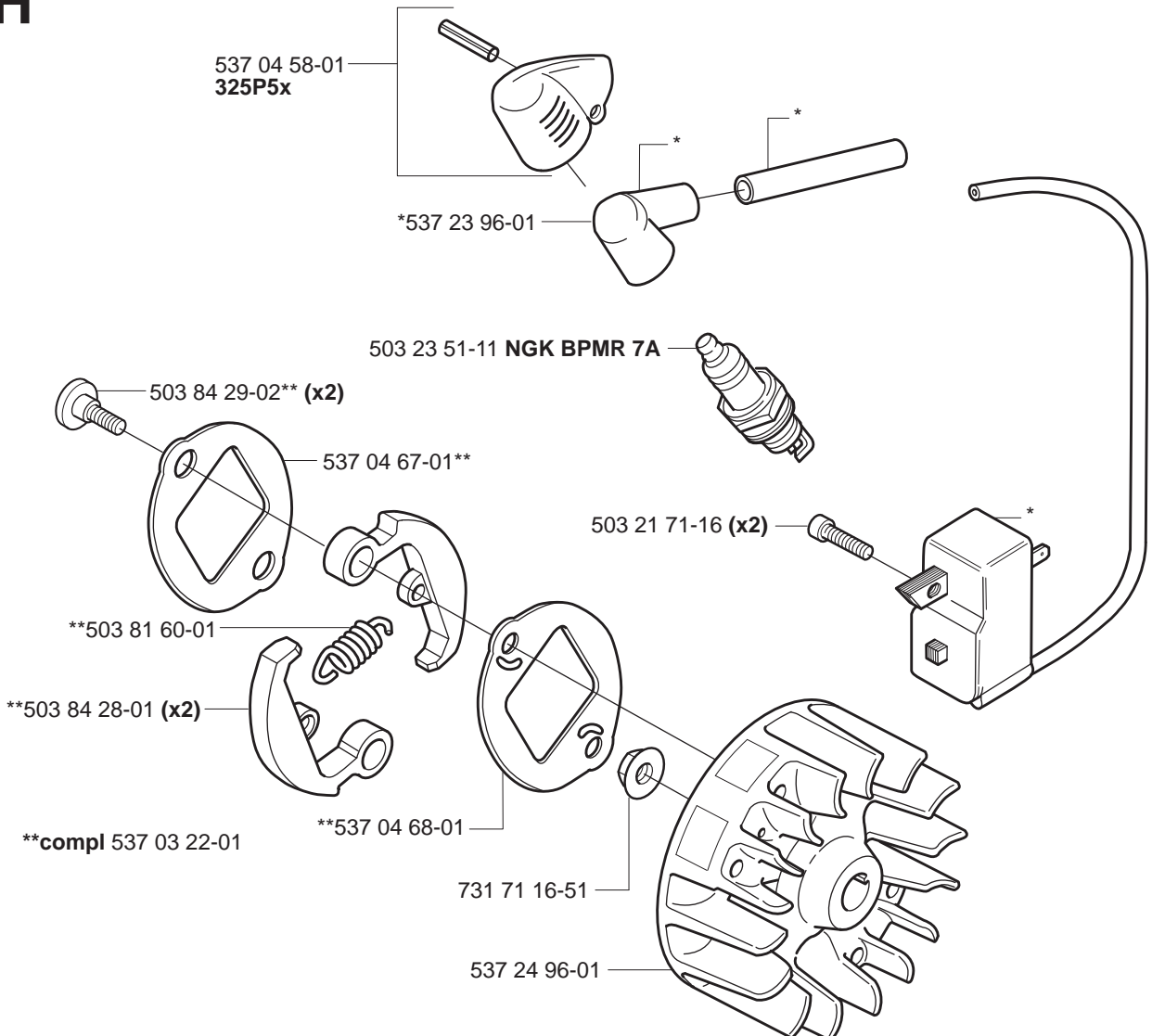
G

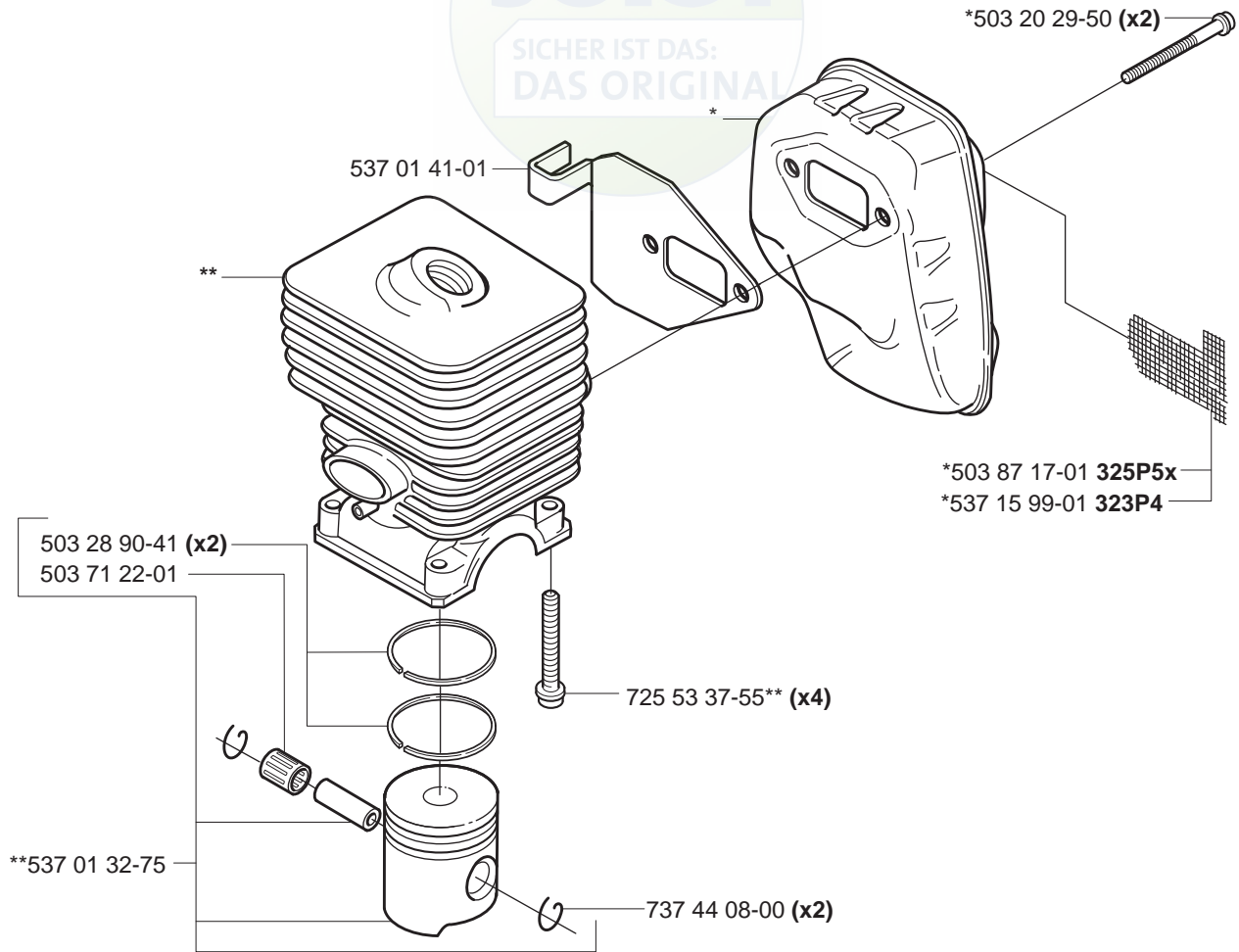
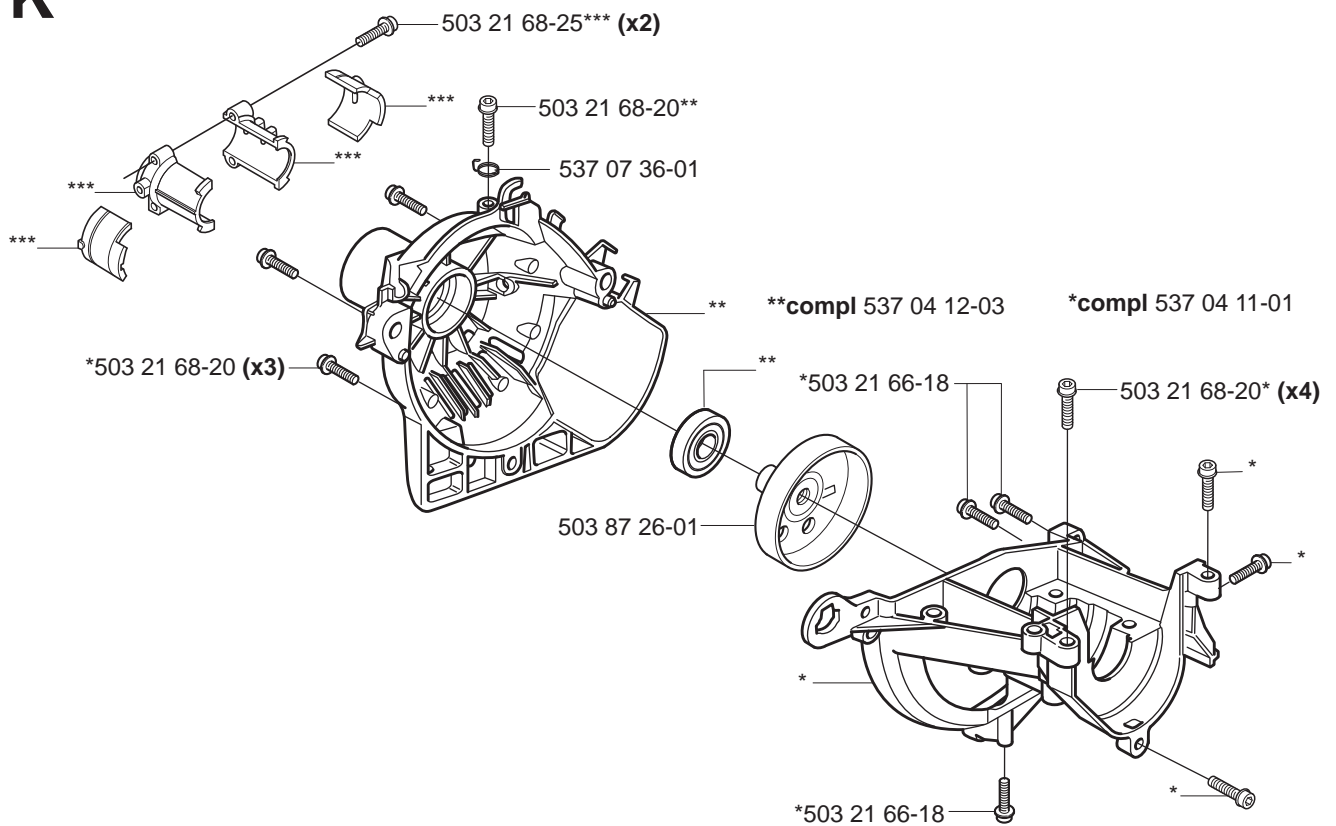
*compl 537 06 86-02



H

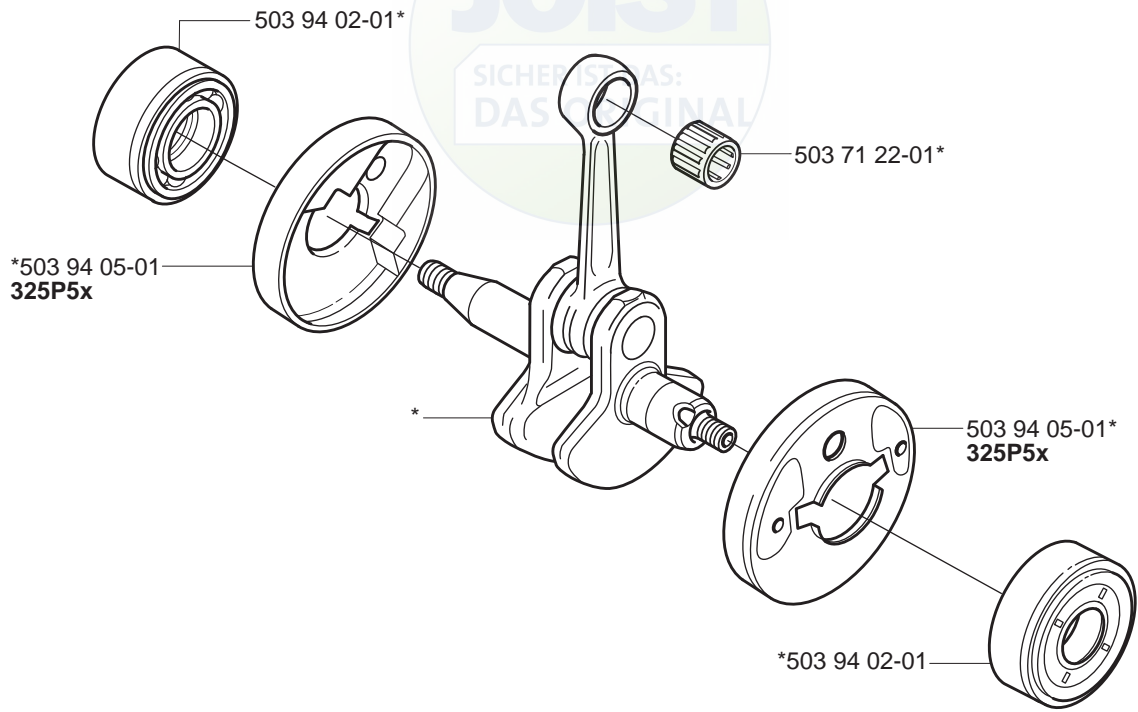
* compl 537 04 23-01



J****compl 537 03 20-05*****compl 537 03 94-01 325P5x**
compl 537 16 19-01 323P4****K****compl 537 30 96-01**

L

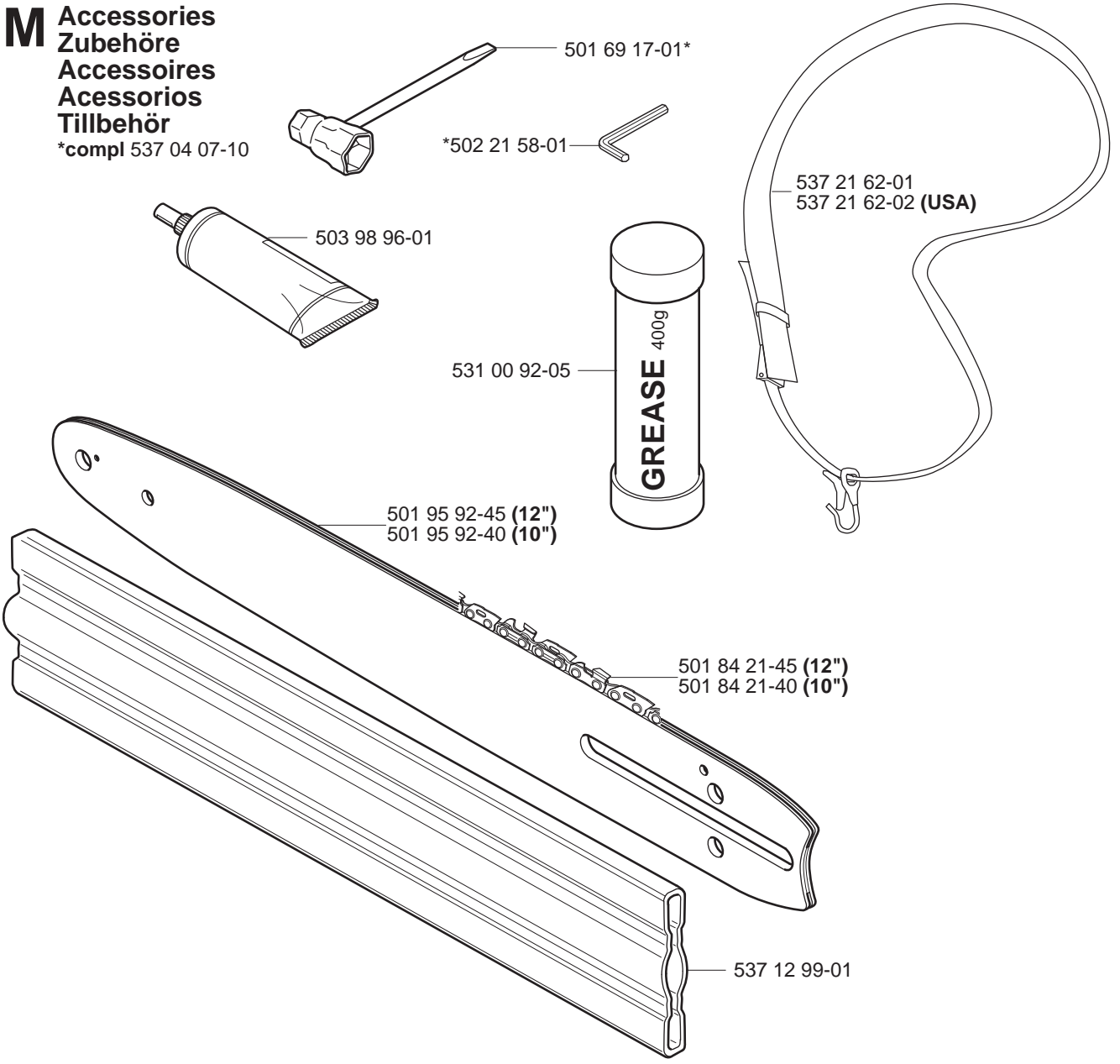
*compl 503 85 24-74

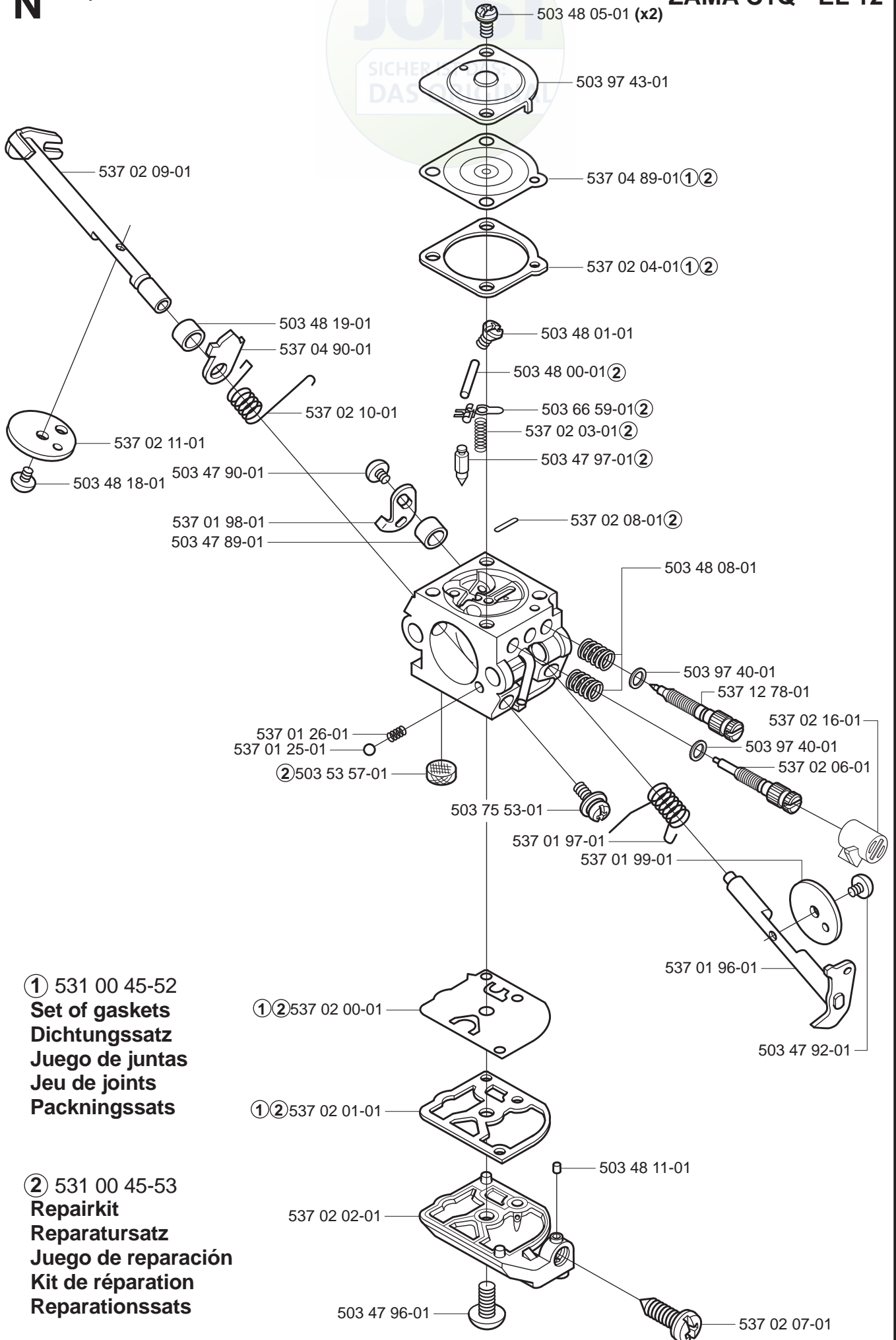


M

**Accessories
Zubehöre
Accessoires
Acessorios
Tillbehör**

*compl 537 04 07-10

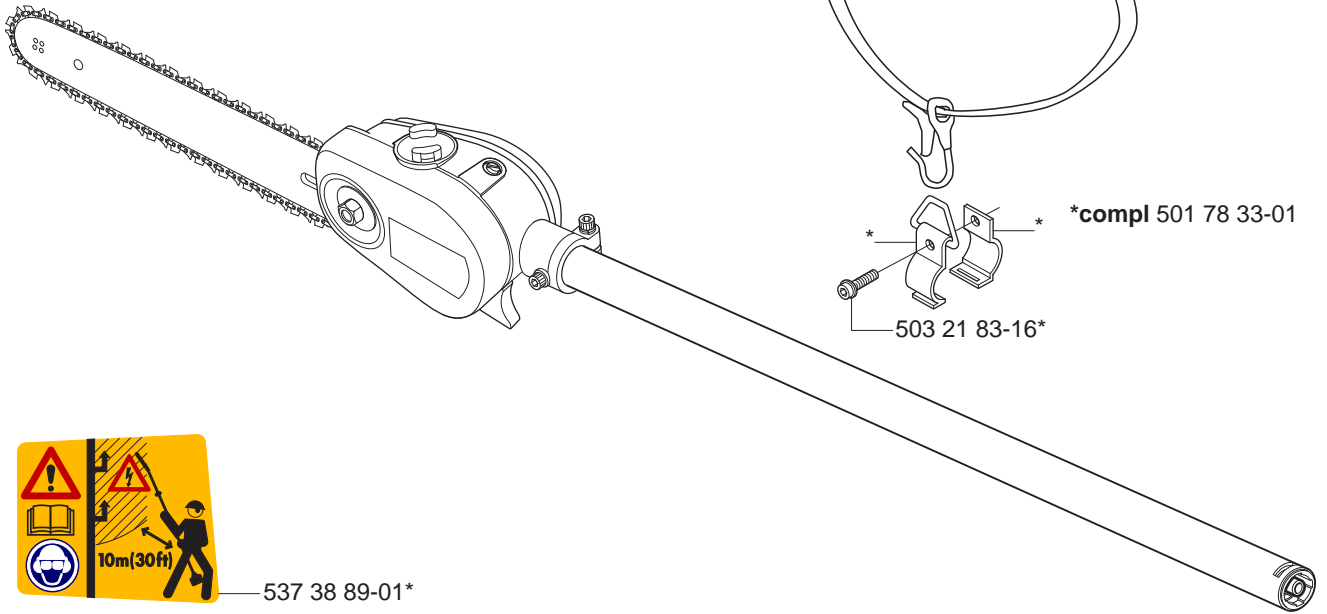




(1) 531 00 45-52
Set of gaskets
Dichtungssatz
Juego de juntas
Jeu de joints
Packningssatz

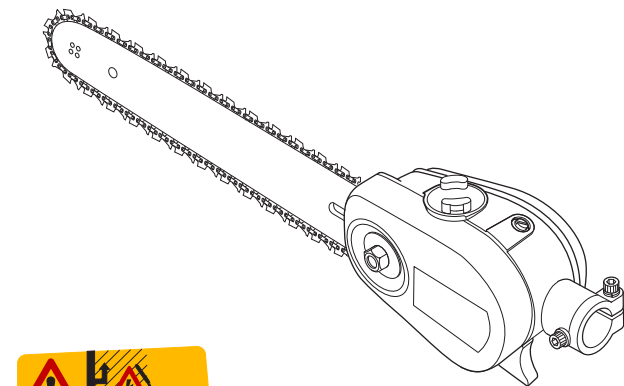
(2) 531 00 45-53
Repairkit
Reparatursatz
Juego de reparación
Kit de réparation
Reparationsssatz

P Saw Attachment L=1100mm
compl 537 18 33-16
compl 537 18 33-17 (USA)



537 38 89-01*

P Saw Attachment
compl 537 18 33-11
compl 537 18 33-12 (USA)

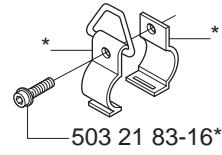
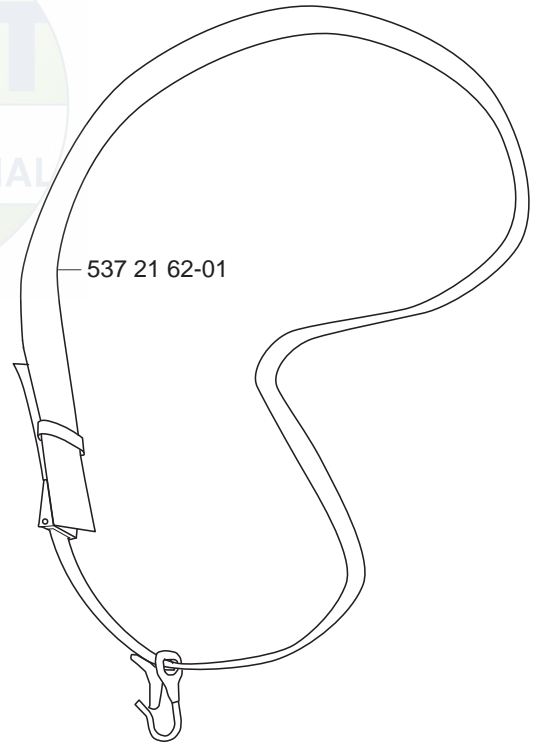
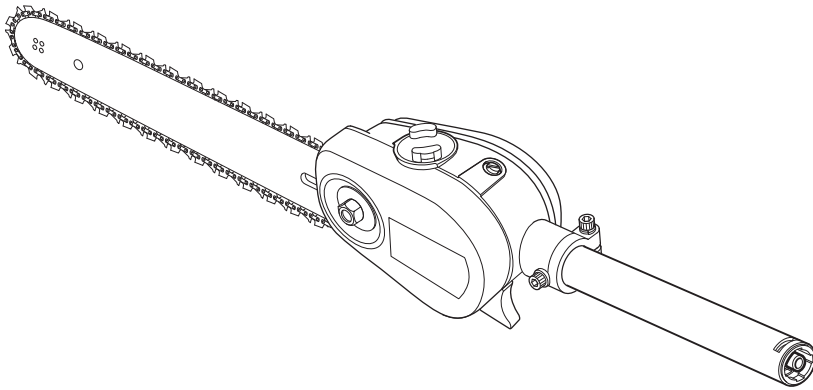


537 38 89-01*

*503 21 83-16

*compl 501 78 33-01

P Saw Attachment L=110mm
compl 537 18 33-13



*compl 501 78 33-01



537 38 89-01*

PART NUMBER	SQUARE NOTE	PART NUMBER	SQUARE NOTE	PART NUMBER	SQUARE NOTE	PART NUMBER	SQUARE NOTE
503 23 00-42	F	503 87 35-02	F	537 04 07-10	M	725 53 29-55	A
501 69 17-01	M	503 87 36-01	F	537 04 11-01	K	725 53 33-55	A
501 78 33-01	BP	503 87 79-01	C	537 04 12-03	K	725 53 37-55	J
501 84 21-40	M	503 87 80-01	C	537 04 23-01	H	731 23 14-01	BE
501 84 21-45	M	503 87 85-01	C	537 04 24-01	G	731 23 18-01	A
501 95 92-40	M	503 87 86-02	C	537 04 58-01	H	731 71 16-51	AFH
501 95 92-45	M	503 88 79-01	E	537 04 67-01	H	735 31 08-20	F
502 20 38-01	B	503 88 80-01	E	537 04 68-01	H	735 31 11-00	A
502 20 40-01	E	503 89 03-01	E	537 04 89-01	N	735 31 12-00	A
502 20 65-03	E	503 90 39-01	A	537 04 90-01	N	735 31 25-10	A
502 21 58-01	M	503 91 09-01	E	537 05 68-01	A	735 31 27-10	A
503 18 49-01	A	503 91 10-01	G	537 06 86-02	G	735 58 55-01	B
503 20 07-10	B	503 91 18-01	G	537 07 36-01	K	737 44 08-00	J
503 20 07-16	B	503 91 18-02	G	537 07 85-01	B	738 21 00-04	A
503 20 07-25	B	503 91 81-01	C	537 07 87-01	B	738 21 99-04	A
503 20 14-25	E	503 93 66-01	G	537 08 38-01	B	740 42 03-00	A
503 20 29-50	J	503 94 02-01	L	537 08 55-01	B	740 42 06-00	C
503 21 66-18	KC	503 94 05-01	L	537 12 78-01	N	740 42 06-00	C
503 21 66-20	F	503 94 10-01	B	537 12 99-01	M		
503 21 68-20	DFK	503 94 26-01	E	537 15 99-01	J		
503 21 68-25	K	503 96 13-01	C	537 16 19-01	J		
503 21 71-16	H	503 96 14-01	C	537 17 45-01	F		
503 21 75-16	EF	503 96 25-01	E	537 17 48-01	B		
503 21 75-20	B	503 96 49-01	F	537 17 50-01	B		
503 21 75-50	E	503 97 40-01	N	537 18 09-01	B		
503 21 77-16	F	503 97 43-01	N	537 18 10-01	B		
503 21 83-16	BP	503 97 82-01	A	537 18 33-11	P		
503 22 65-04	E	503 97 98-41	F	537 18 33-12	P		
503 23 00-16	A	503 97 98-42	F	537 18 33-13	P		
503 23 00-42	F	503 98 12-38	D	537 18 33-16	P		
503 23 00-68	A	503 98 12-39	D	537 18 33-17	P		
503 23 51-11	H	503 98 13-01	A	537 18 49-01	G		
503 28 31-11	EN	503 98 54-01	B	537 18 63-01	E		
503 28 90-41	J	503 98 96-01	M	537 19 42-01	A		
503 44 32-01	G	503 99 55-01	C	537 19 44-01	A		
503 47 89-01	N	503 99 55-02	C	537 19 58-01	B		
503 47 90-01	N	503 99 56-01	C	537 19 59-01	B		
503 47 92-01	N	503 99 56-02	C	537 19 84-01	B		
503 47 96-01	N	504 34 00-04	A	537 21 62-01	MP		
503 47 97-01	N	504 71 00-03	A	537 21 62-02	MP		
503 48 00-01	N	531 00 45-52	N	537 22 74-01	A		
503 48 01-01	N	531 00 45-53	N	537 22 75-01	A		
503 48 05-01	N	531 00 92-05	M	537 22 82-01	A		
503 48 08-01	N	537 00 84-01	F	537 23 00-01	A		
503 48 11-01	N	537 01 13-01	C	537 23 96-01	H		
503 48 18-01	N	537 01 25-01	N	537 24 51-01	B		
503 48 19-01	N	537 01 26-01	N	537 24 60-01	A		
503 49 71-01	E	537 01 32-75	J	537 24 68-01	B		
503 53 57-01	N	537 01 41-01	J	537 24 77-01	A		
503 57 76-01	G	537 01 96-01	N	537 24 96-01	H		
503 66 59-01	N	537 01 97-01	N	537 27 14-01	A		
503 70 80-04	B	537 01 98-01	N	537 27 15-01	A		
503 71 22-01	JL	537 01 99-01	N	537 27 16-01	A		
503 71 54-01	B	537 02 00-01	N	537 27 17-01	A		
503 71 82-01	C	537 02 01-01	N	537 27 18-01	A		
503 73 58-01	G	537 02 02-01	N	537 27 29-01	B		
503 75 53-01	N	537 02 03-01	N	537 29 09-01	A		
503 78 52-01	B	537 02 04-01	N	537 29 10-01	A		
503 80 83-02	A	537 02 06-01	N	537 29 11-01	A		
503 81 60-01	H	537 02 07-01	N	537 29 90-01	A		
503 84 28-01	H	537 02 08-01	N	537 29 92-01	A		
503 84 29-02	H	537 02 09-01	N	537 30 96-01	K		
503 85 24-74	L	537 02 10-01	N	537 32 08-01	D		
503 85 28-01	F	537 02 11-01	N	537 32 92-01	A		
503 85 87-01	F	537 02 16-01	N	537 33 01-01	A		
503 85 89-01	F	537 03 20-05	J	537 33 17-01	A		
503 87 17-01	J	537 03 22-01	H	537 37 15-01	A		
503 87 18-01	D	537 03 41-01	F	537 38 89-01	P		
503 87 26-01	BK	537 03 94-01	J	725 23 79-51	B		
503 87 33-02	F	537 04 03-01	A	725 53 27-55	A		

Set of gaskets, Dichtungssatz,
Jeu de joints, Juego de juntas,
Packingssatz

N = New part, Neues teil,
Nouvelle piece, Nueva pieza
Ny detalj