

3120XP

3120XP EPA

Spare parts

Replaces

Ersatzteile

Ersetzt

Pièces détachées

Remplace

Reserve onderdelen

Vervangt

Repuestos

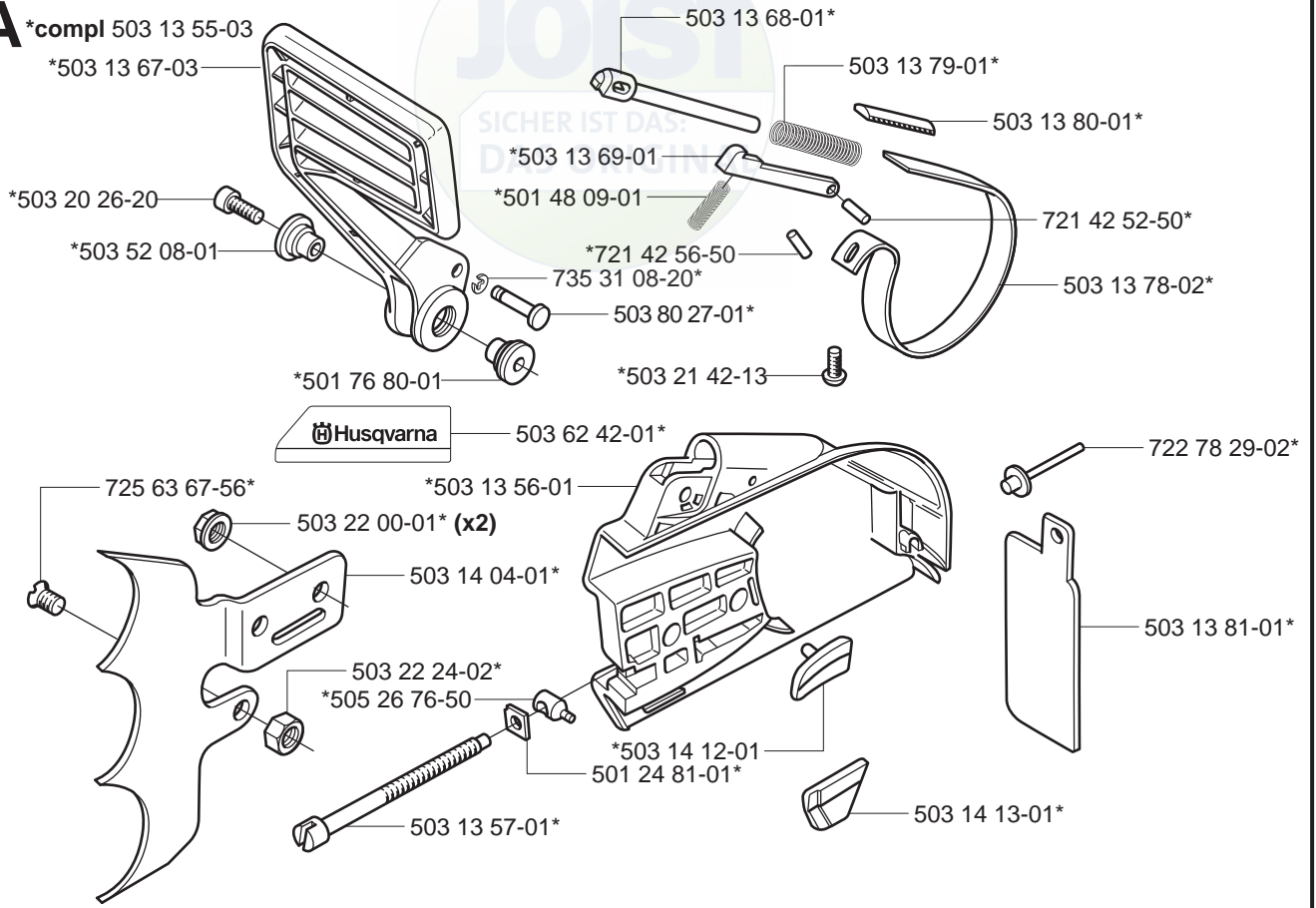
Reemplaza

Reservdelar

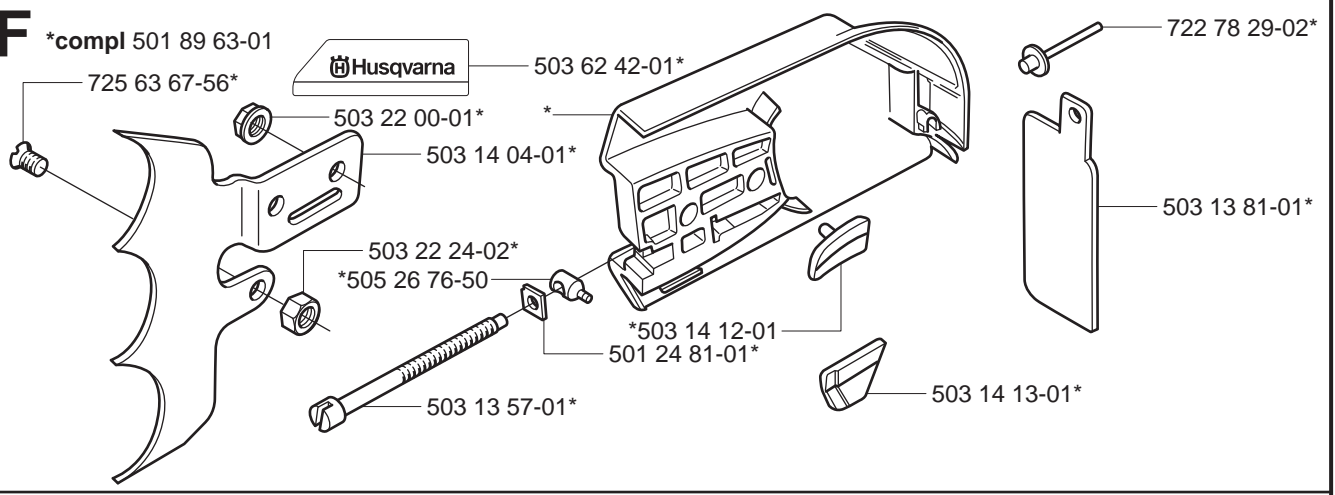
Ersätter

106 22 77-67

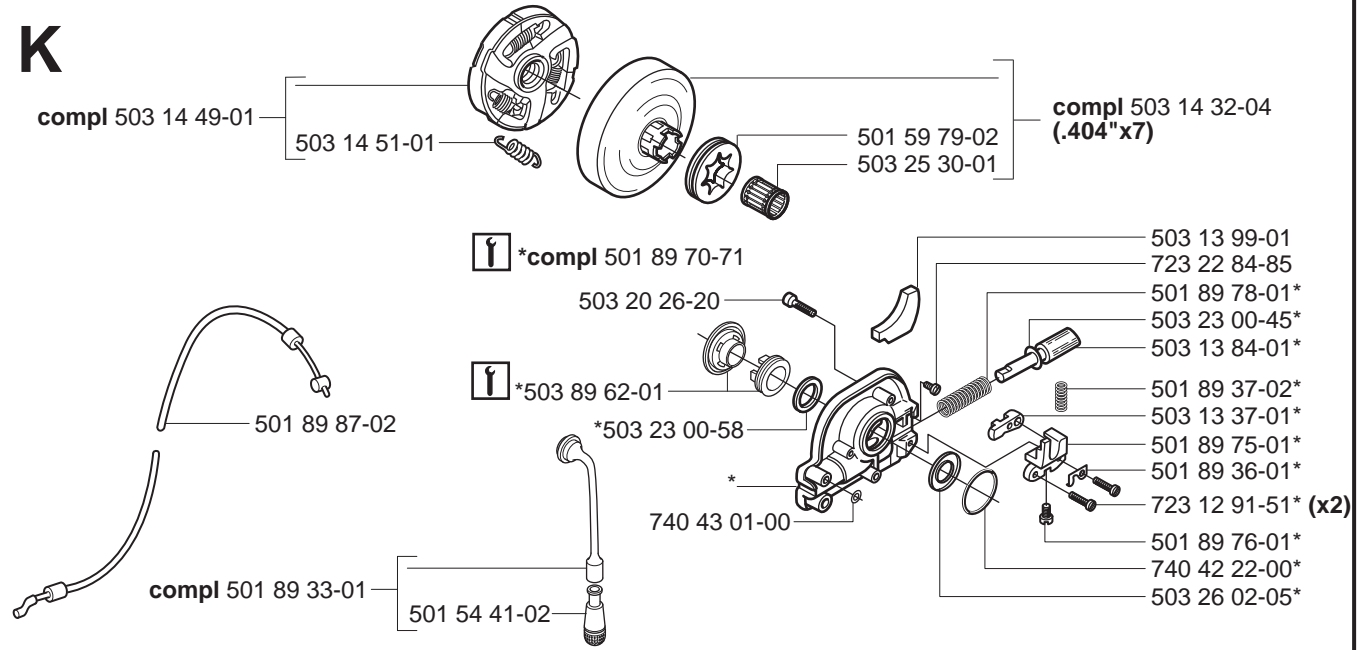
A



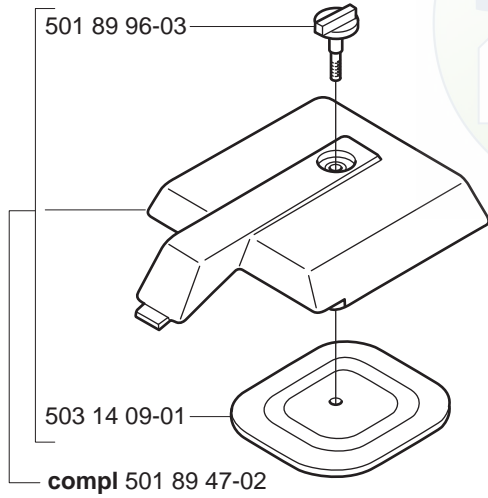
F



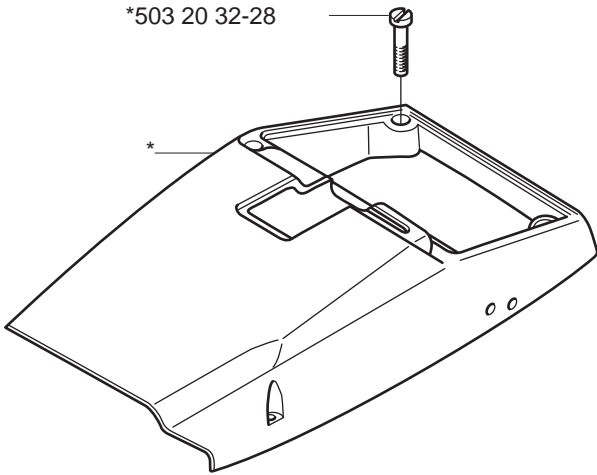
K



B *compl 501 89 44-02



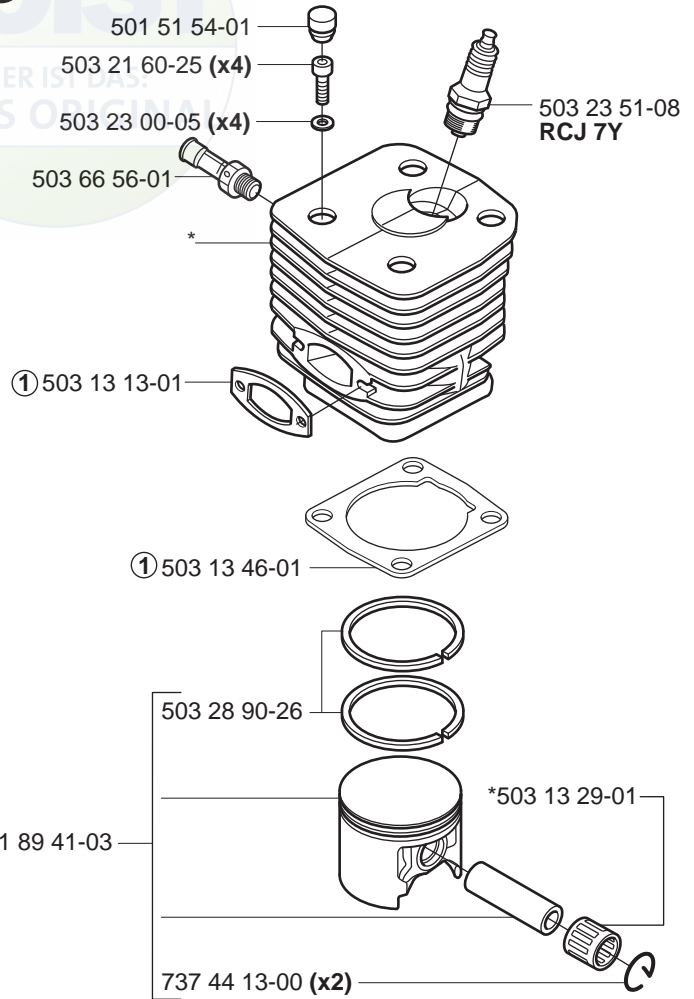
*503 20 32-28



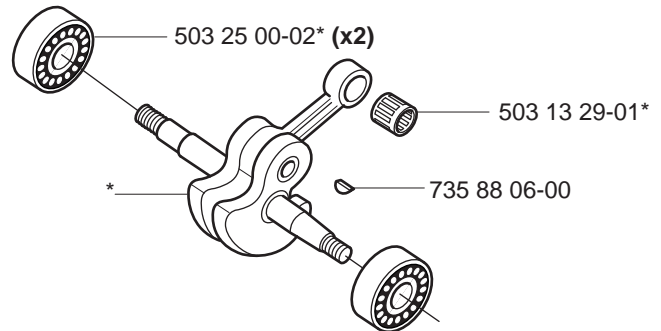
*503 98 74-01



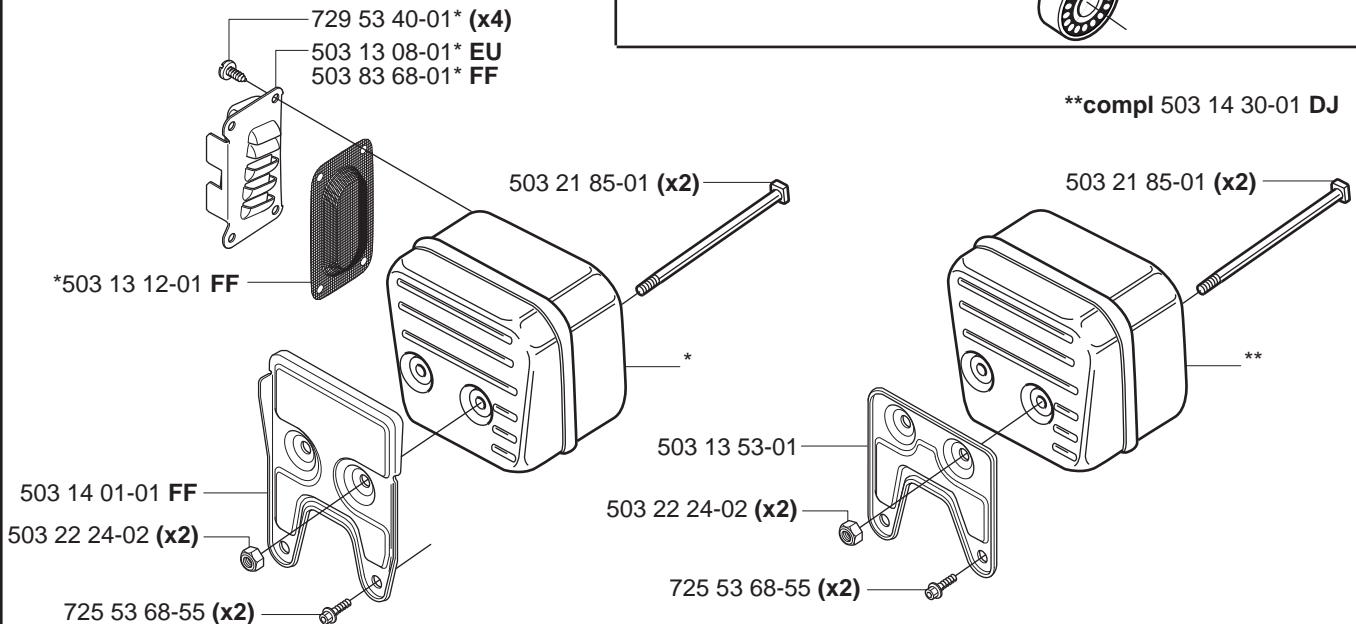
C *compl 506 29 42-71



H *compl 503 14 20-73



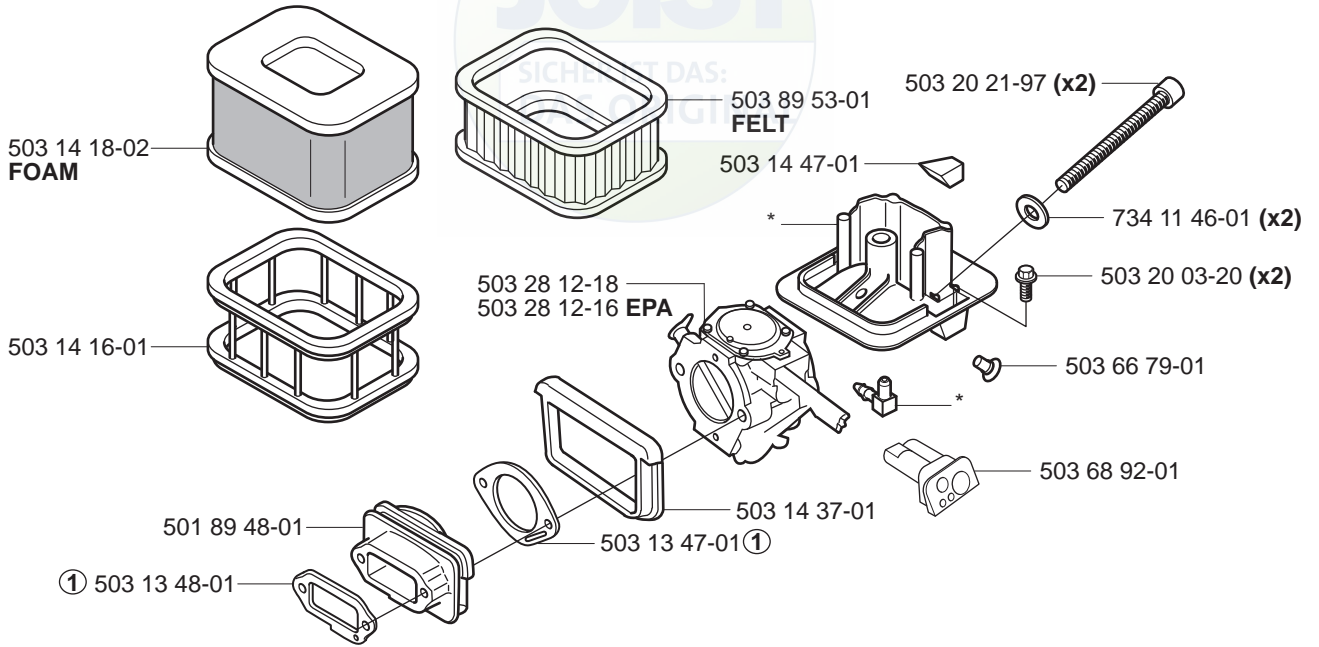
G *compl 503 13 00-01 EU
*compl 503 83 65-01 FF



**compl 503 14 30-01 DJ

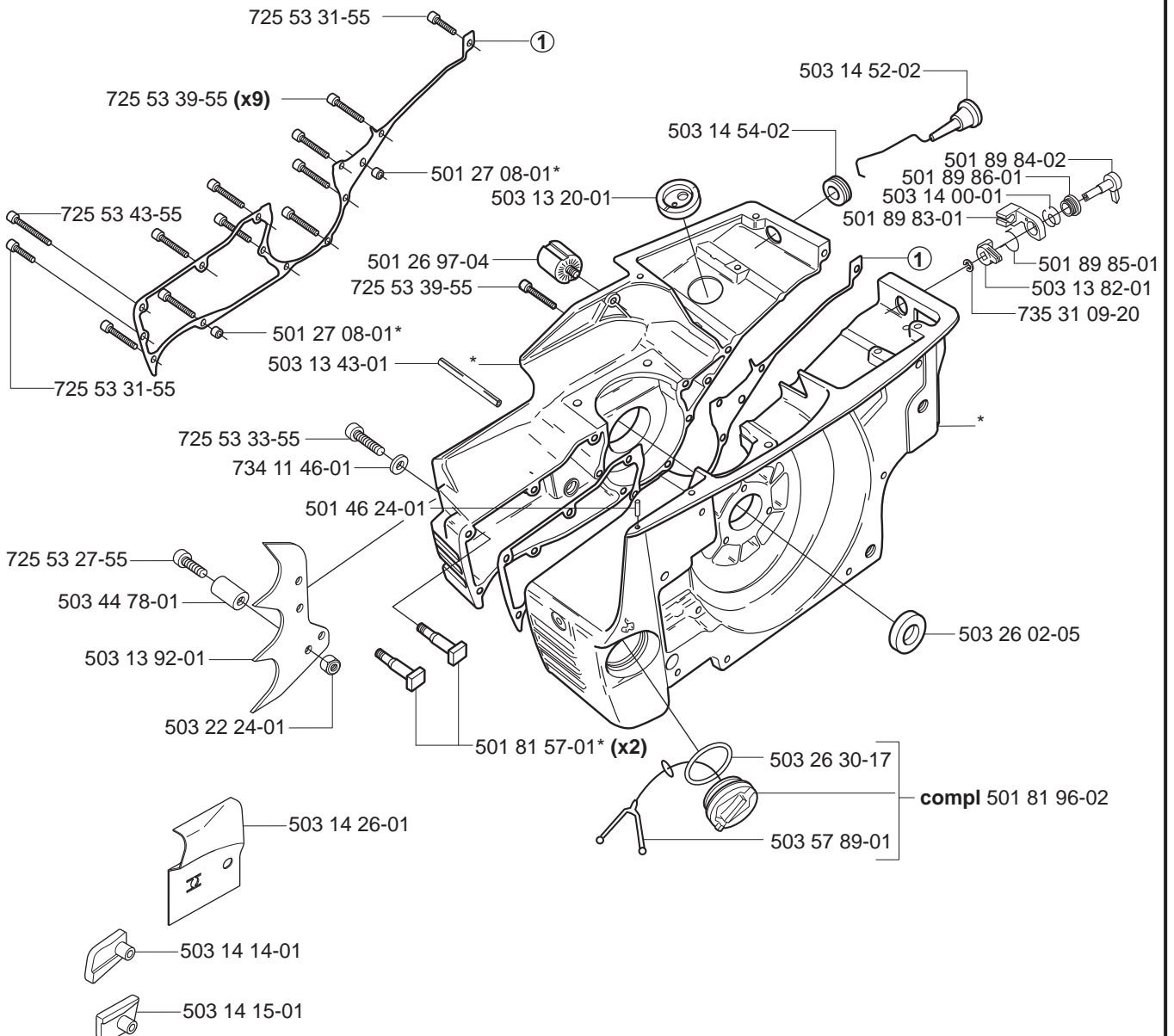
D

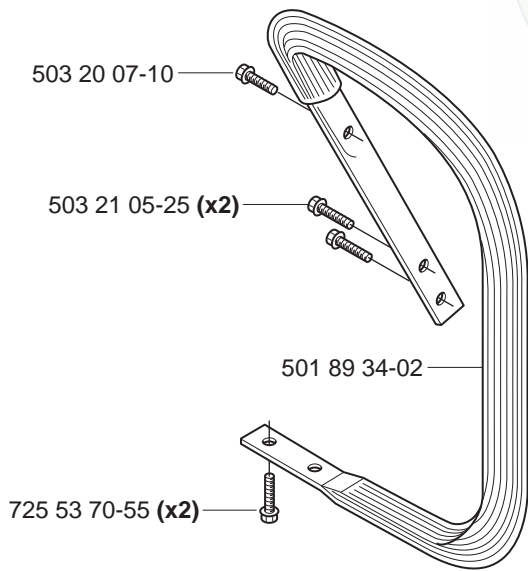
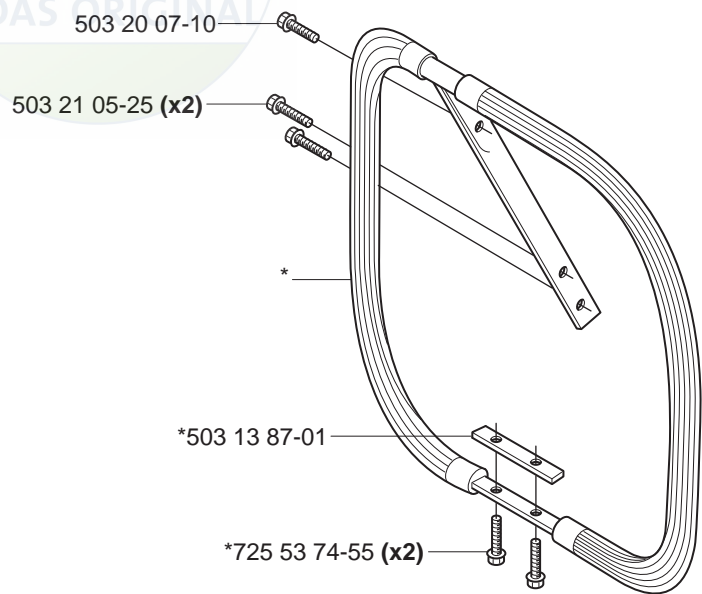
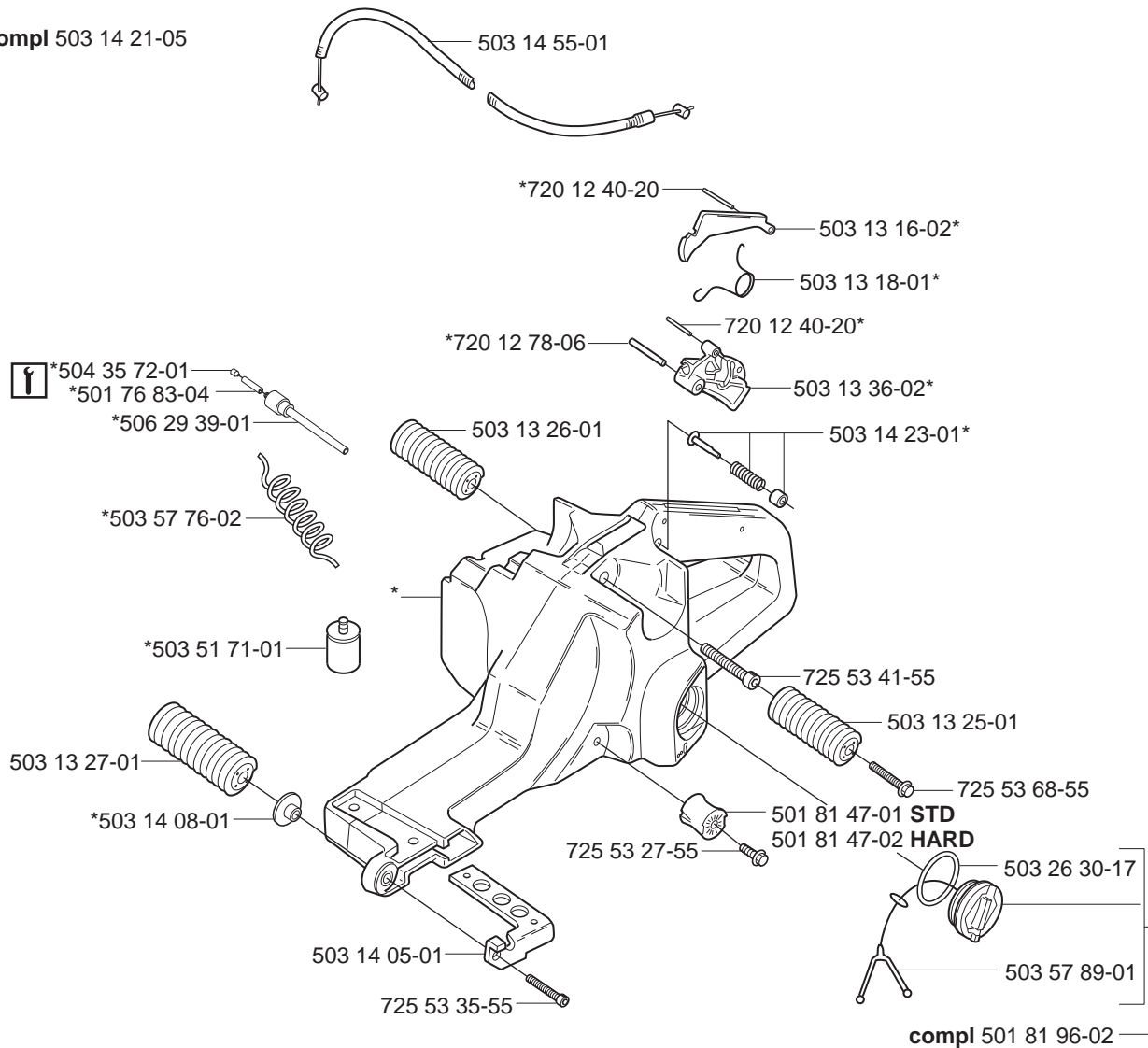
*compl 501 89 90-02



L

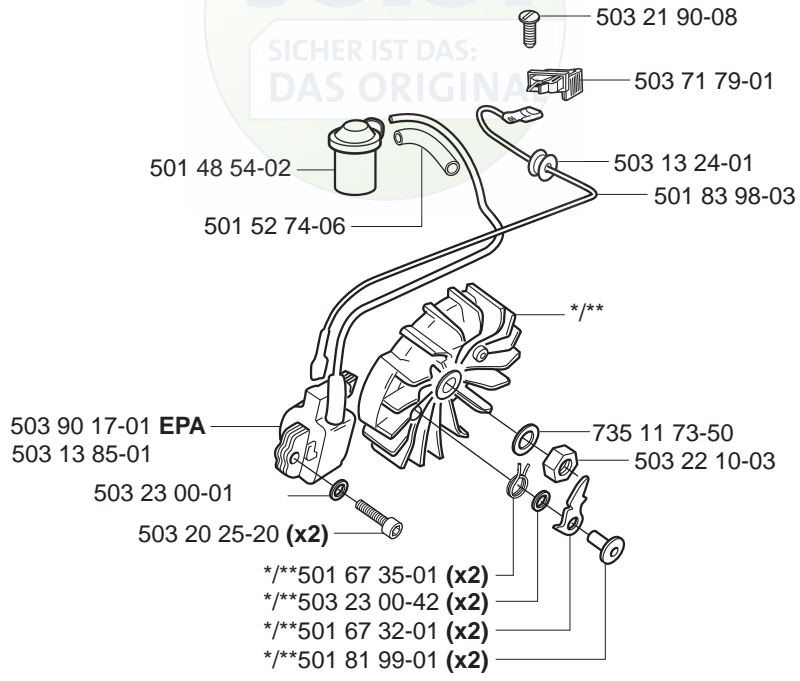
*compl 501 89 25-01



J**R** *compl 503 13 86-02**E** *compl 503 14 21-05

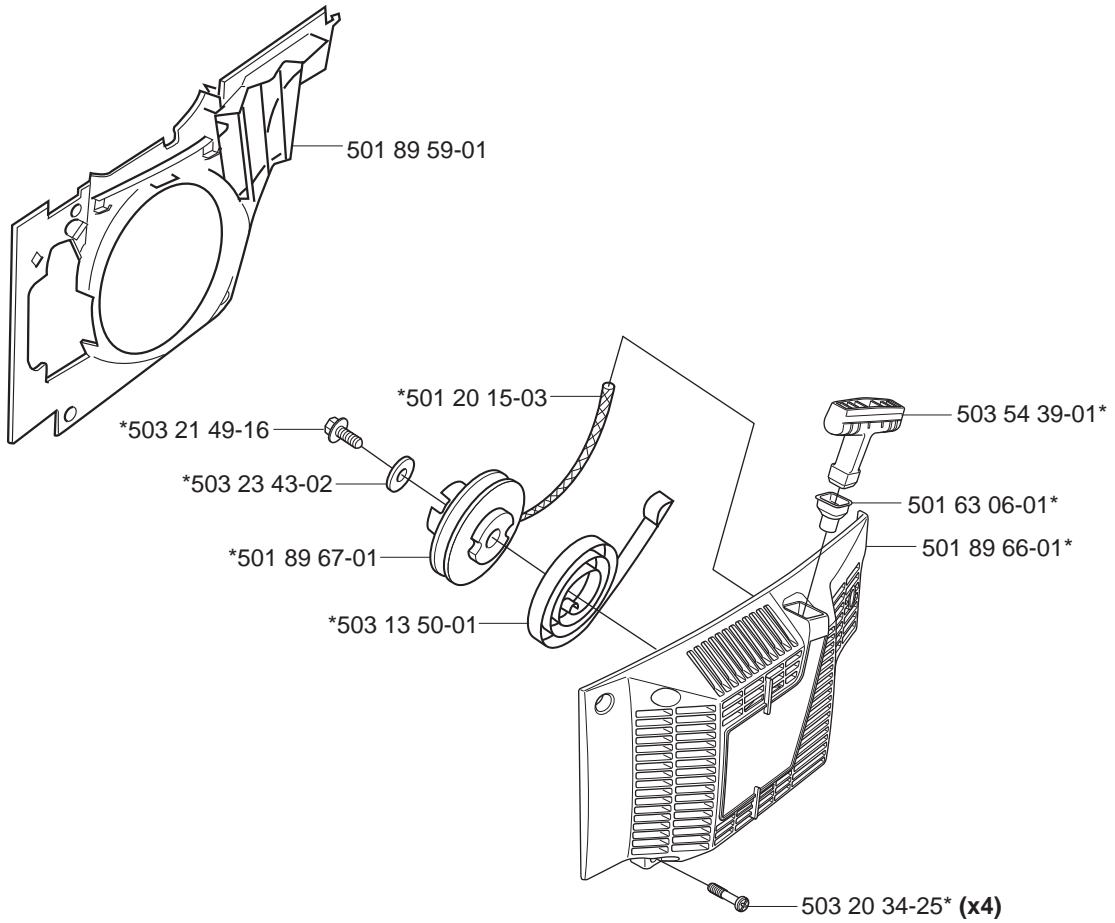
M

*compl 501 89 50-01
**compl 501 89 50-02 EPA



N

*compl 501 89 65-02



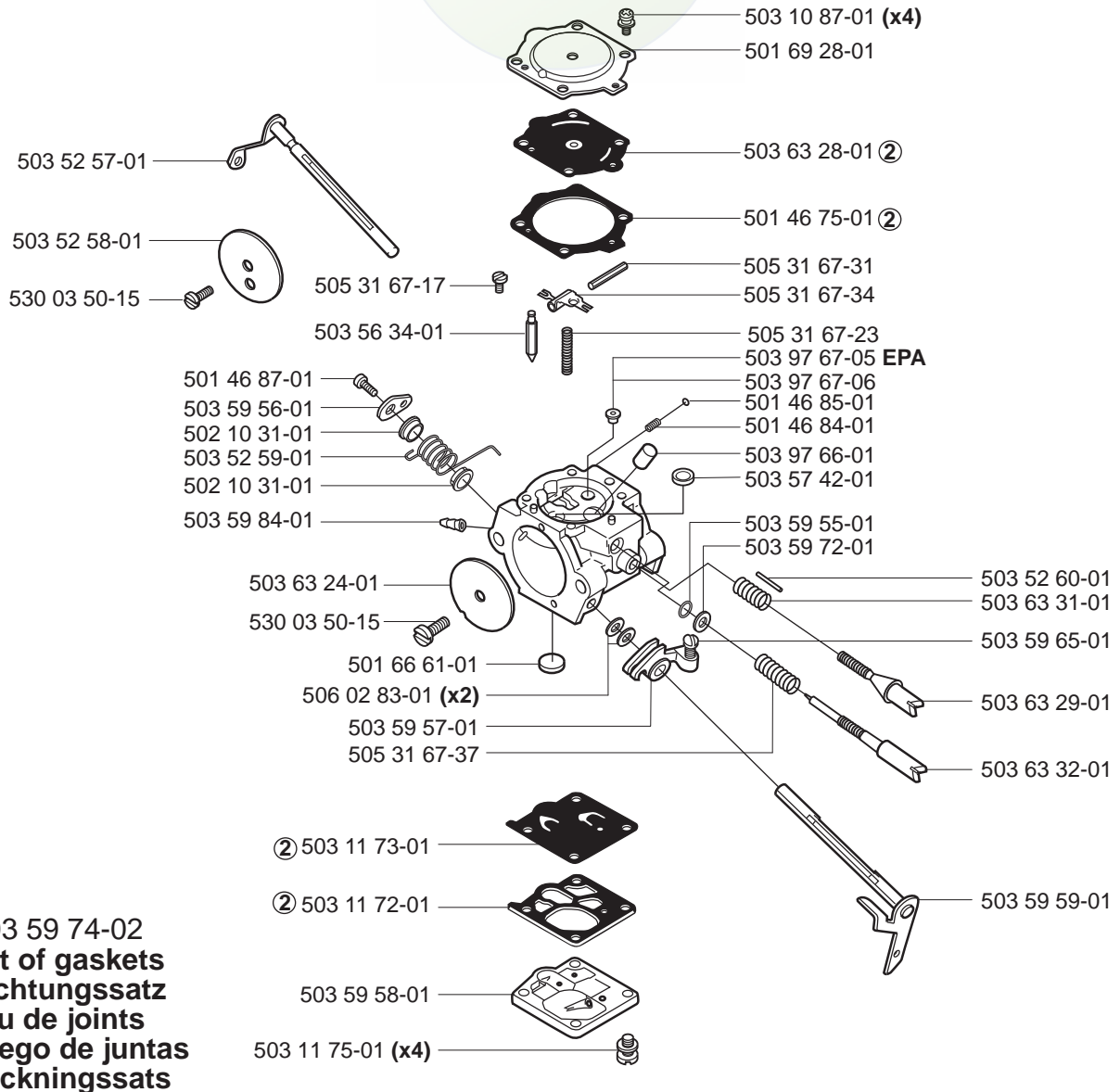
537 09 69-01



P compl 503 28 12-18
 compl 503 28 12-16 EPA

JOIST
 SICHER IST DAS:
 DAS ORIGINAL

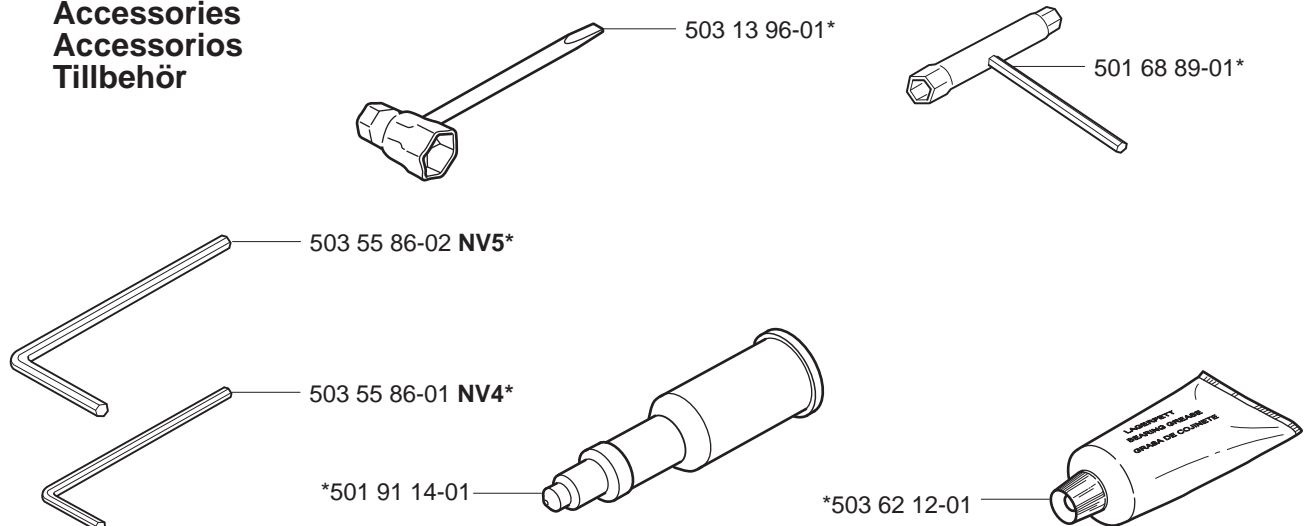
**Walbro WG 8
 Walbro WG 7 EPA**



(2) 503 59 74-02
Set of gaskets
Dichtungssatz
Jeu de joints
Juego de juntas
Packningssatz

S Accessories
 Zubehöre
 Accessories
 Accesorios
 Tillbehör

*compl 503 55 85-02



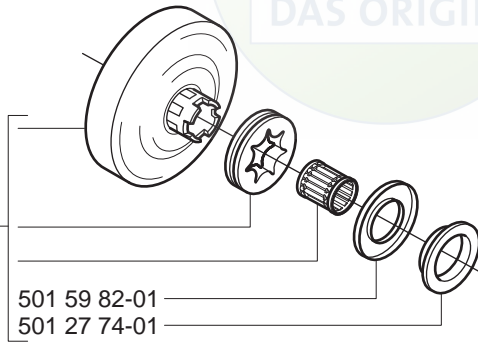
T



Up to 7470038

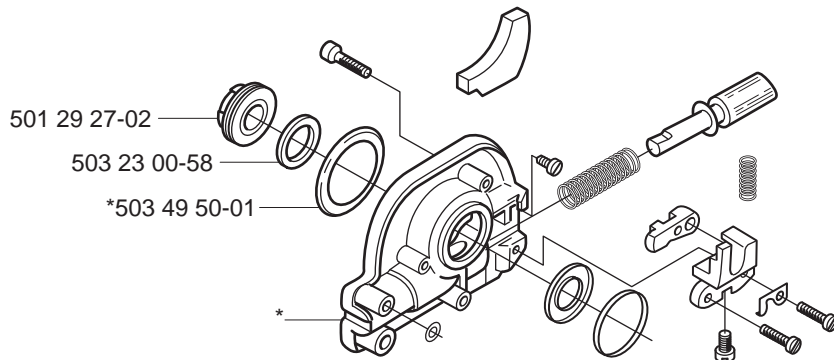
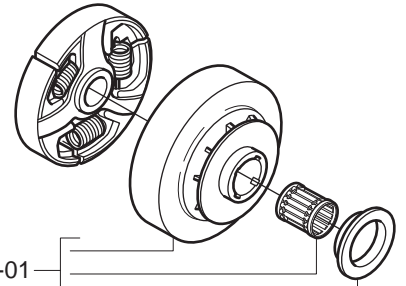
SICHER IST DAS:
DAS ORIGINAL

compl 503 14 32-03
(.404"x7)



compl 501 89 56-01

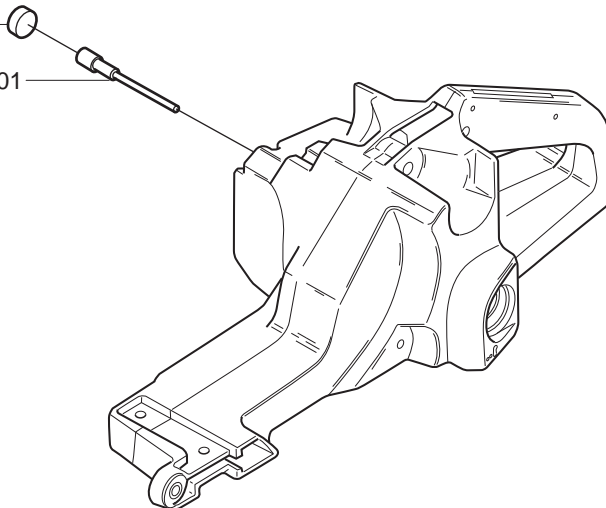
501 27 74-01



Up to 99310062

503 60 04-01

501 87 25-01



PART NUMBER	SQUARE NOTE	PART NUMBER	SQUARE NOTE	PART NUMBER	SQUARE NOTE	PART NUMBER	SQUARE NOTE
501 20 15-03	N	503 13 13-01	C 1	503 21 60-25	C	505 26 76-50	A,F
501 24 81-01	A,F	503 13 16-02	E	503 21 85-01	G	505 31 67-17	P
501 26 97-04	L	503 13 18-01	E	503 21 90-08	M	505 31 67-23	P
501 27 08-01	L	503 13 20-01	L	503 22 00-01	A,F	505 31 67-31	P
501 27 74-01	T	503 13 24-01	M	503 22 10-03	M	505 31 67-34	P
501 29 27-02	T	503 13 25-01	E	503 22 24-01	L	505 31 67-37	P
501 46 24-01	L	503 13 26-01	E	503 22 24-02	A,F	506 02 83-01	P
501 46 75-01	P 2	503 13 27-01	E	503 22 24-02	G	506 29 39-01	E
501 46 84-01	P	503 13 29-01	C,H	503 23 00-01	M	506 29 42-71	C
501 46 85-01	P	503 13 36-02	E	503 23 00-05	C	530 03 50-15	P
501 46 87-01	P	503 13 37-01	K	503 23 00-42	M	537 09 69-01	N
501 48 09-01	A	503 13 43-01	L	503 23 00-45	K	720 12 40-20	E
501 48 54-02	M	503 13 46-01	C 1	503 23 00-58	K,T	720 12 78-06	E
501 51 54-01	C	503 13 47-01	D 1	503 23 43-02	N	721 42 52-50	A
501 52 74-06	M	503 13 48-01	D 1	503 23 51-08	C	721 42 56-50	A
501 54 41-02	K	503 13 50-01	N	503 25 00-02	H	722 78 29-02	A,F
501 59 79-02	K	503 13 53-01	G	503 25 30-01	K	723 12 91-51	K
501 59 82-01	T	503 13 55-03	A	503 26 02-05	K,L	723 22 84-85	K
501 63 06-01	N	503 13 56-01	A	503 26 30-17	E,L	725 53 27-55	E,L
501 66 61-01	P	503 13 57-01	A,F	503 28 12-16	D,P EPA	725 53 31-55	L
501 67 32-01	M	503 13 67-03	A	503 28 12-18	D,P	725 53 35-55	E,L
501 67 35-01	M	503 13 68-01	A	503 28 90-26	C	725 53 39-55	L
501 68 89-01	S	503 13 69-01	A	503 44 78-01	L	725 53 41-55	E
501 69 28-01	P	503 13 78-02	A	503 49 50-01	T	725 53 43-55	L
501 76 80-01	A	503 13 79-01	A	503 51 71-01	E	725 53 68-55	G
501 76 83-04	E	503 13 80-01	A	503 52 08-01	A	725 53 68-55	E
501 81 47-01	E	503 13 81-01	A,F	503 52 57-01	P	725 53 70-55	J
501 81 47-02	E	503 13 82-01	L	503 52 58-01	P	725 53 74-55	R
501 81 57-01	L	503 13 84-01	K	503 52 59-01	P	725 63 67-56	A,F
501 81 96-02	L,E	503 13 85-01	M	503 52 60-01	P	729 53 40-01	G
501 81 99-01	M	503 13 86-02	R	503 54 39-01	N	734 11 46-01	D,L
501 83 98-03	M	503 13 87-01	R	503 55 85-02	S	735 11 73-50	M
501 87 25-01	T,L	503 13 92-01	L	503 55 86-01	S	735 31 08-20	A
501 89 33-01	K	503 13 96-01	S	503 55 86-02	S	735 31 09-20	L
501 89 34-02	J	503 13 99-01	K	503 56 34-01	P	735 88 06-00	H
501 89 36-01	K	503 14 00-01	L,G	503 57 42-01	P	737 44 13-00	C
501 89 37-02	K	503 14 04-01	A,F	503 57 76-02	E	740 42 22-00	K
501 89 41-03	C	503 14 05-01	E	503 57 89-01	E,L	740 43 01-00	K
501 89 44-02	B	503 14 08-01	E	503 59 55-01	P		
501 89 47-02	B	503 14 09-01	B	503 59 56-01	P		
501 89 48-01	D	503 14 12-01	A,F	503 59 57-01	P		
501 89 50-01	M	503 14 13-01	A,F	503 59 58-01	P		
501 89 50-02	M EPA	503 14 14-01	L	503 59 59-01	P		
501 89 56-01	T	503 14 15-01	L	503 59 65-01	P		
501 89 59-01	N	503 14 16-01	D	503 59 72-01	P		
501 89 63-01	F	503 14 18-02	D	503 59 74-02	P Compl 2		
501 89 65-02	N	503 14 20-73	H	503 59 84-01	P		
501 89 66-01	N	503 14 21-05	E	503 60 04-01	T		
501 89 67-01	N	503 14 23-01	E	503 62 12-01	S		
501 89 70-71	K	503 14 25-01	Compl 1	503 62 42-01	A,F		
501 89 75-01	K	503 14 26-01	L	503 63 24-01	P		
501 89 76-01	K	503 14 30-01	G	503 63 28-01	P 2		
501 89 78-01	K	503 14 32-03	T	503 63 29-01	P		
501 89 83-01	L	503 14 32-04	K	503 63 31-01	P		
501 89 84-02	L	503 14 37-01	D	503 63 32-01	P		
501 89 85-01	L	503 14 47-01	D	503 66 56-01	C		
501 89 86-01	L	503 14 49-01	K	503 66 79-01	D		
501 89 87-02	K	503 14 51-01	K	503 68 92-01	D		
501 89 90-02	D	503 14 52-02	L	503 71 79-01	M		
501 89 96-03	B	503 14 55-01	E	503 80 27-01	A		
501 91 14-01	S	503 20 03-20	D	503 83 65-01	G		
502 10 31-01	P	503 20 07-10	R	503 83 68-01	G		
502 10 31-01	P	503 20 21-97	D	503 89 53-01	D		
503 10 87-01	P	503 20 25-20	M	503 89 62-01	K		
503 11 72-01	P 2	503 20 26-20	A,K	503 90 17-01	M		
503 11 73-01	P 2	503 20 32-28	B	503 97 66-01	P		
503 11 75-01	P	503 20 34-25	N	503 97 67-05	P EPA		
503 13 00-01	G	503 21 05-25	J,R	503 97 67-06	P		
503 13 08-01	G	503 21 42-13	A	503 98 74-01	B		
503 13 12-01	G	503 21 49-16	N	504 35 72-01	E		

1 = 503 14 25-01
2 = 503 59 74-02

Set of gaskets, Dichtungssatz,
Jeu de joints, Juego de juntas,
Packningsatts

N = New part, Neues teil,
Nouvelle piece, Nueva pieza
Ny detalj

EPA = Environmental Protection Agency
(for USA only)