

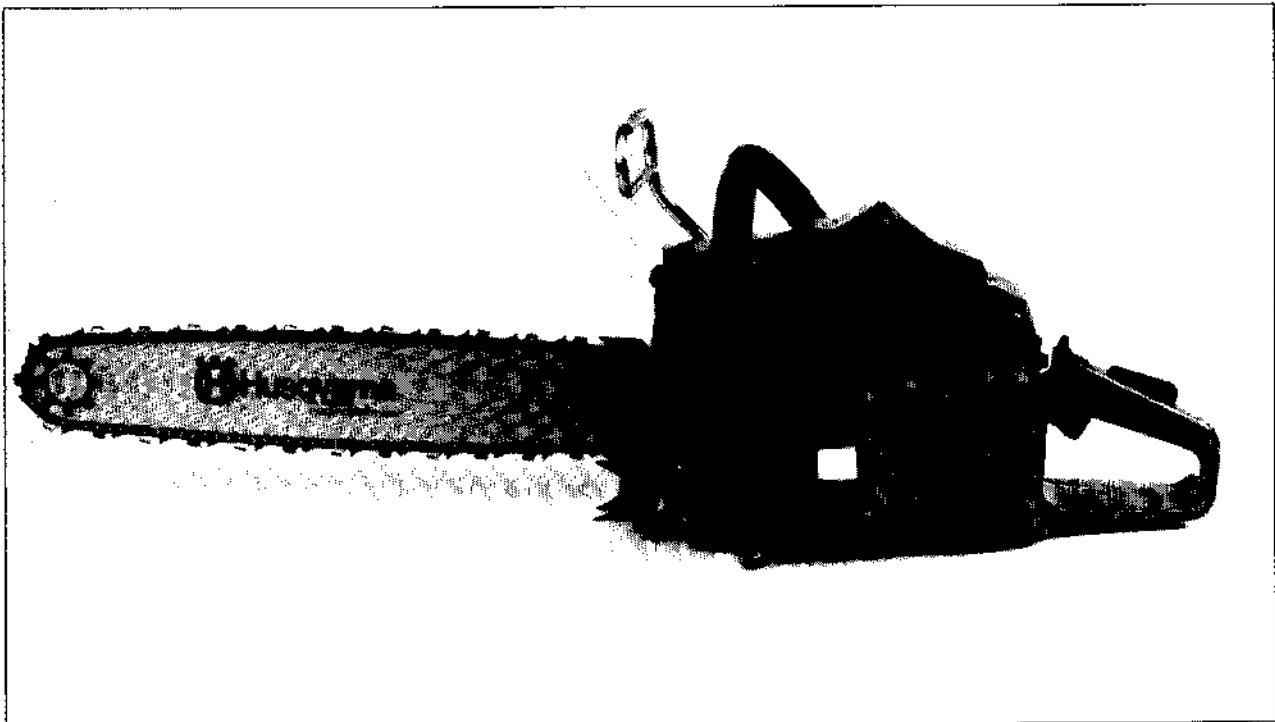




| | | |
|--|---|----------|
| SERVICE |  | 8 |
|  | | X 88.107 |

281/288



1. 1988

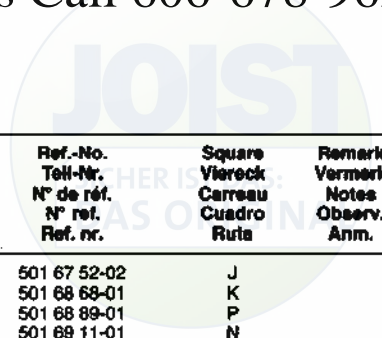
Spare parts

Ersatzteile

Pièces détachées

Repuestos

Reservdelar

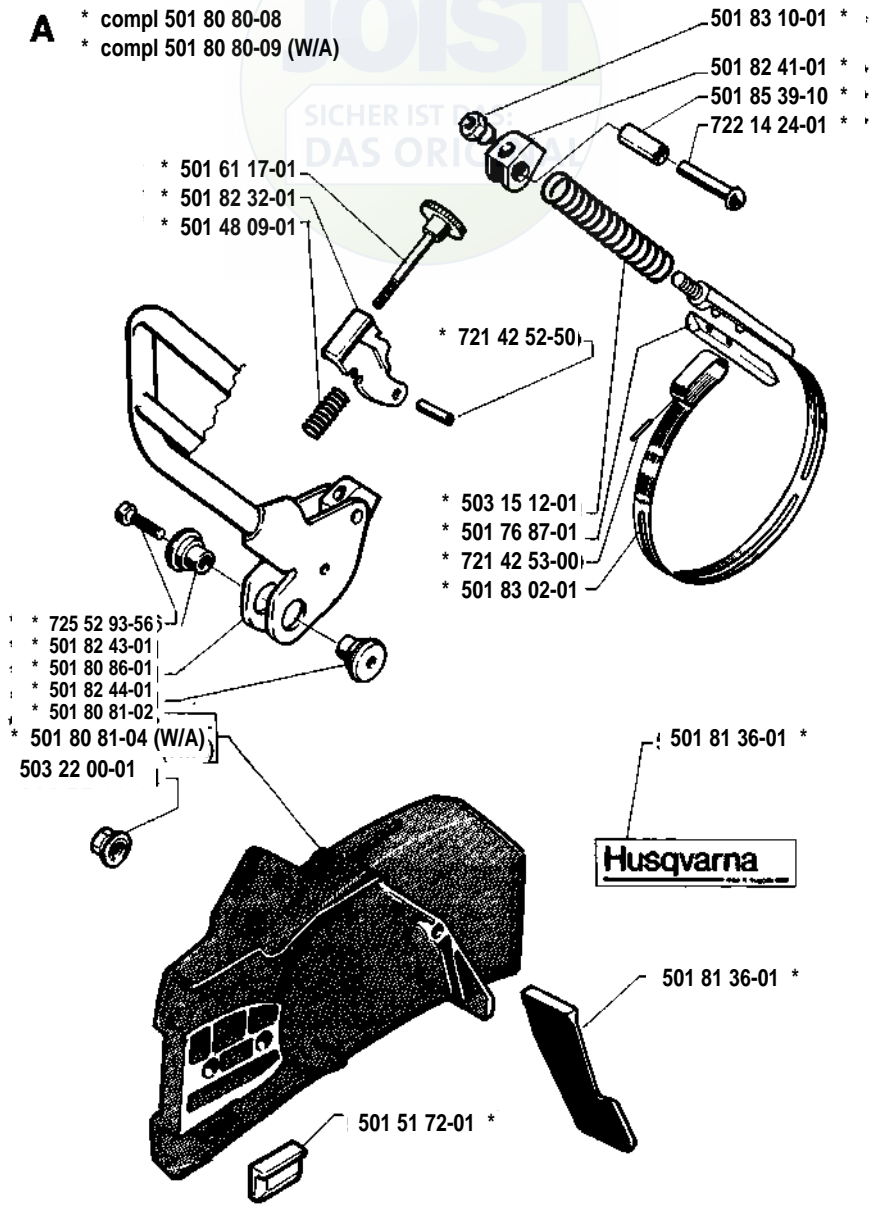


| Ref.-No. Teil-Nr. N° de réf. Ref. nr. | Square Viereck Carreau Cuadro Ruta | Remark Vermerk Notes Observ. Anm. | Ref.-No. Teil-Nr. N° de réf. Ref. nr. | Square Viereck Carreau Cuadro Ruta | Remark Vermerk Notes Observ. Anm. | Ref.-Nr Teil-Nr. N° de réf. Ref. nr. | Square Viereck Carreau Cuadro Ruta | Remark Vermerk Notes Observ. Anm. |
|--|--|---|--|--|---|---|--|---|
| 501 19 22-01 | P | | 501 67 52-02 | J | | 502 01 22-01 | N | |
| 501 20 15-02 | M | | 501 68 68-01 | K | | 503 07 80-01 | F | Ⓝ |
| 501 22 00-01 | N | | 501 68 89-01 | P | | 503 07 83-01 | F | Ⓝ |
| 501 22 01-01 | N | | 501 69 11-01 | N | | 503 07 91-01 | M | Ⓝ |
| 501 22 02-01 | N | | 501 69 17-01 | P | | 503 07 92-01 | M | Ⓝ |
| 503 22 03-01 | N | | 501 76 49-01 | A | | 503 08 54-01 | P | |
| 501 22 04-01 | N | | 501 76 87-01 | A | | 503 08 97-01 | L | |
| 501 22 05-01 | N | | 501 79 51-01 | L | | 503 10 24-01 | M | |
| 501 22 08-01 | N | ② | 501 80 03-06 | K | | 503 15 12-01 | A | |
| 501 22 09-01 | N | ② | 501 80 13-02 | C | Ⓝ | 503 17 69-01 | B | |
| 501 22 10-01 | N | | 501 80 19-02 | K | | 503 17 81-01 | R | |
| 501 22 12-01 | N | ② | 501 80 22-01 | L | | 503 20 00-01 | K | Ⓝ |
| 501 22 13-01 | N | ② | 501 80 22-02 | L | | 503 20 00-04 | F, G | |
| 501 22 14-01 | N | | 501 80 24-02 | L | | 503 20 00-27 | F, G | |
| 501 22 15-01 | N | | 501 80 25-01 | J | | 503 20 21-06 | D | |
| 501 22 17-01 | N | | 501 80 30-01 | J | | 503 20 30-02 | L | |
| 501 22 20-01 | N | | 501 80 59-02 | B | | 503 20 32-01 | B | |
| 501 22 21-01 | N | | 501 80 59-04 | B | Ⓝ | 503 20 40-06 | M | |
| 501 22 22-01 | N | | 501 80 62-01 | D | | 503 20 80-08 | D | |
| 501 22 24-01 | N | | 501 80 66-02 | D | | 503 21 14-09 | E | |
| 501 22 25-01 | N | | 501 80 68-02 | D | Ⓝ | 503 21 14-10 | E | |
| 501 22 30-01 | N | | 501 80 69-01 | D | | 503 21 21-01 | F | |
| 501 23 88-01 | N | | 501 80 71-01 | D | | 503 21 60-01 | C | |
| 501 26 85-01 | N | | 501 80 71-02 | D | | 503 22 00-01 | A | |
| 501 26 89-01 | N | | 501 80 75-01 | E | | 503 22 10-02 | L | |
| 501 26 90-01 | N | | 501 80 75-02 | L | | 503 22 65-01 | E | |
| 501 27 13-02 | K | | 501 80 80-08 | A | | 503 23 00-01 | L | |
| 501 27 74-01 | J | | 501 80 80-09 | A | Ⓝ | 503 23 00-14 | J | |
| 501 28 41-01 | J | | 501 80 81-02 | A | | 503 23 00-19 | J | |
| 501 28 85-01 | J | | 501 80 81-04 | A | Ⓝ | 503 23 00-42 | L | |
| 501 29 27-02 | J | | 501 80 86-01 | A | | 503 23 10-02 | J | |
| 501 29 33-01 | J | | 501 80 91-03 | E | | 503 23 43-02 | M | |
| 501 29 37-01 | J | | 501 81 00-03 | M | | 503 23 51-12 | C | |
| 501 29 39-02 | J | | 501 81 01-05 | M | | 503 25 00-02 | H | |
| 501 29 64-02 | D | Ⓝ | 501 81 18-01 | D | | 503 25 30-01 | J | |
| 501 29 65-01 | K | Ⓝ | 501 81 26-01 | K | | 503 26 02-05 | J, K | |
| 501 29 66-01 | K | | 501 81 27-02 | L | | 503 40 56-01 | F | Ⓝ |
| 501 29 86-01 | C | | 501 81 28-01 | L | | 503 41 73-01 | E | |
| 501 30 65-01 | K | | 501 81 34-01 | | Ⓝ Compl. | 503 41 79-01 | E | |
| 501 42 65-02 | E | Ⓝ | 501 81 36-01 | A | | 503 44 32-01 | E | Ⓝ |
| 501 42 71-01 | N | | 501 81 44-01 | N | | 503 45 01-01 | M | |
| 501 46 67-01 | N | | 501 81 47-01 | E | | 503 45 02-01 | M | |
| 501 48 09-01 | A | | 501 81 47-02 | E | Ⓝ | 503 48 63-01 | N | |
| 501 48 50-01 | N | | 501 81 48-01 | K | | 503 49 04-01 | B | Ⓝ |
| 501 48 54-02 | L | Ⓝ | 501 81 49-01 | H | | 503 49 36-01 | R | Ⓝ |
| 501 49 48-02 | | Ⓝ Compl. | 501 81 56-01 | D | | 503 49 50-01 | J | Ⓝ |
| 501 51 54-01 | B | | 501 81 57-01 | K | | 503 50 27-02 | C | Ⓝ |
| 501 51 72-01 | A, K | | 501 81 58-01 | N | | 503 50 29-01 | C | Ⓝ |
| 501 51 73-01 | K | | 501 81 60-02 | C | Ⓝ | 503 50 60-02 | C | Ⓝ |
| 501 51 97-01 | E | | 501 81 68-01 | G | | 503 50 62-01 | C | Ⓝ |
| 501 51 99-01 | J | | 501 81 68-02 | G | | 503 50 63-01 | C | Ⓝ |
| 501 52 04-02 | M | | 501 81 74-01 | C, H | | 503 50 65-01 | K | Ⓝ |
| 501 52 66-02 | L | Ⓝ | 501 81 75-01 | E | | 503 56 04-01 | J | Ⓝ |
| 501 52 76-01 | K | | 501 81 79-01 | F, G | | 504 86 00-05 | N | |
| 501 52 79-01 | K | | 501 81 90-01 | N | | 720 13 07-10 | K | |
| 501 52 88-01 | E | | 501 81 96-01 | E, K | | 721 42 03-25 | J | |
| 501 52 95-02 | M | | 501 81 99-02 | L | | 721 42 12-26 | E | |
| 501 53 71-01 | K | | 501 82 18-01 | N | | 721 42 52-50 | A | |
| 501 54 02-01 | J | | 501 82 32-01 | A | | 721 42 53-00 | A | |
| 501 54 41-02 | J | | 501 82 39-01 | A | | 722 14 24-01 | A | |
| 501 54 48-01 | J | | 501 82 41-01 | A | | 723 23 25-85 | D | |
| 501 55 10-01 | K | | 501 82 43-01 | A | | 723 23 29-85 | M | |
| 501 55 14-01 | M | | 501 82 44-01 | A | | 723 52 24-05 | E, L | Ⓝ |
| 501 56 79-01 | E | | 501 83 02-01 | A | | 725 52 92-06 | L | |
| 501 57 61-01 | N | | 501 83 10-01 | A | | 725 52 93-56 | A | |
| 501 59 74-01 | E, L | | 501 83 94-01 | K | Ⓝ | 725 52 95-56 | J | |
| 501 59 77-02 | J | | 501 83 97-02 | L | | 725 53 27-55 | E, K | |
| 501 59 80-02 | J | | 501 83 98-03 | L | | 725 53 29-55 | K | |
| 501 59 82-01 | J | | 501 91 14-01 | P | | 725 53 29-56 | L | |
| 501 60 02-02 | P | | 501 91 18-02 | D, N | | 725 53 30-55 | E | |
| 501 61 17-01 | A | | 501 91 58-02 | A | | 725 53 37-55 | K | |
| 501 62 89-05 | E | | 501 91 65-01 | B | | 725 53 42-55 | K | |
| 501 62 93-03 | L | | 501 91 66-01 | E | | 729 22 21-01 | L | |
| 501 62 96-01 | E | | 501 91 67-01 | K | | 729 22 75-05 | M, L | |
| 501 63 06-01 | M | | 501 91 70-01 | E | | 735 11 73-50 | L | |
| 501 63 97-01 | B | | 501 91 79-01 | C | | 735 88 06-00 | H | |
| 501 66 54-01 | A | | 501 91 81-01 | K | | 740 42 01-00 | J | |
| 501 67 32-01 | L | | 501 91 84-01 | R | | 740 42 24-00 | J | |
| 501 67 33-02 | P | | 501 91 86-01 | N | | 740 44 07-00 | E, K | |
| 501 67 35-01 | L | | 501 91 89-01 | E | | | | |

Ⓝ=501 81 34-02
Set of gaskets
Dichtungssatz
Jeu de joints
Juego de juntas
Packningssats

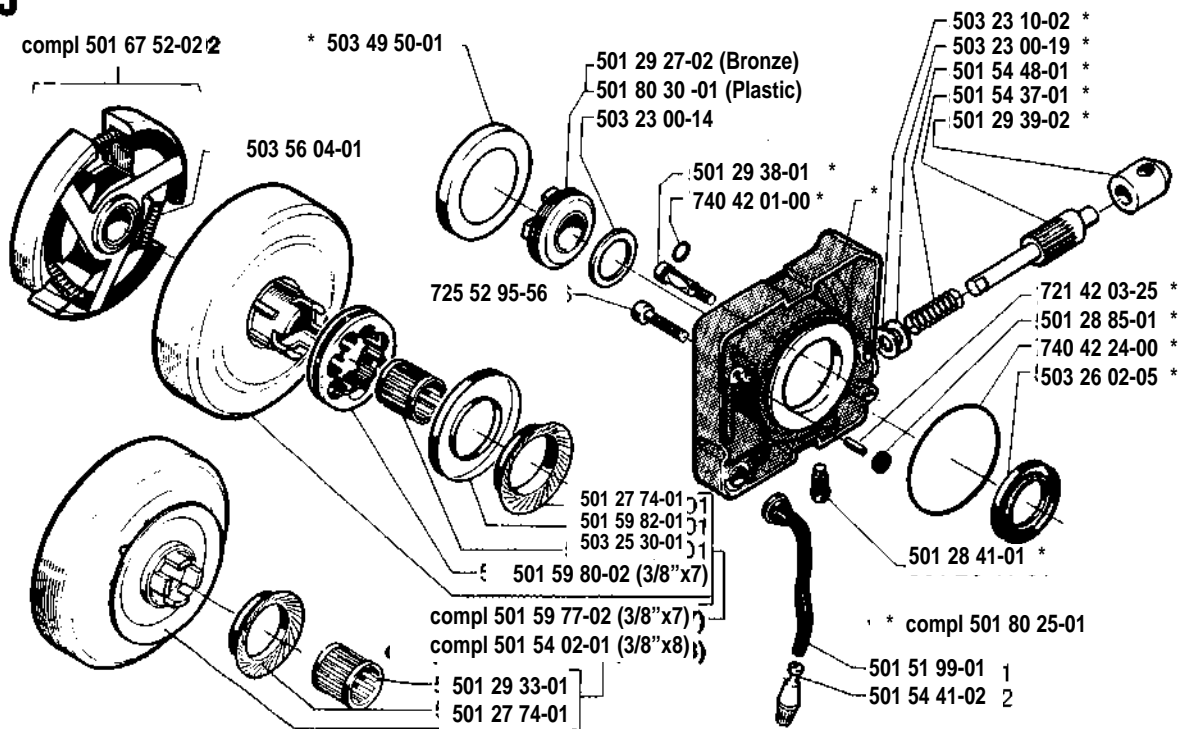
Ⓝ= New part
Neues Teil
Nouvelle pièce
Nueva pieza
Ny det.

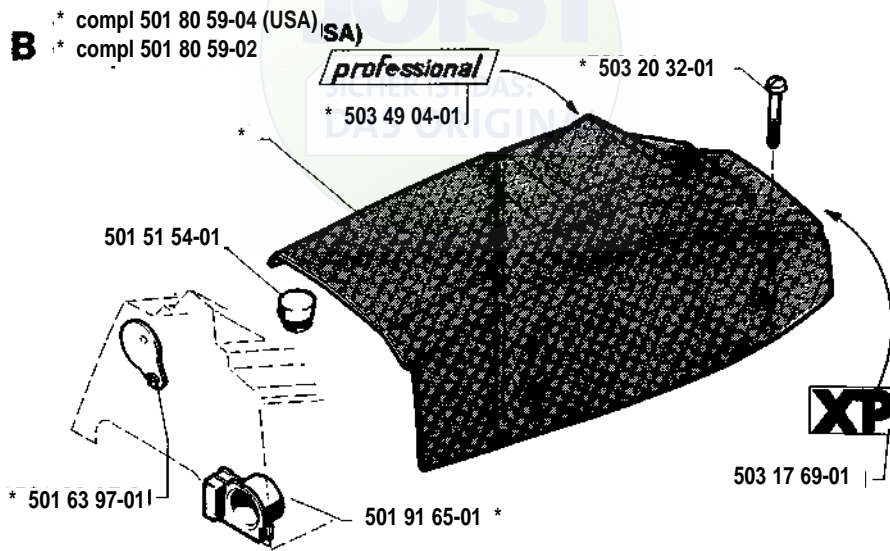
A * compl 501 80 80-08
 * compl 501 80 80-09 (W/A)



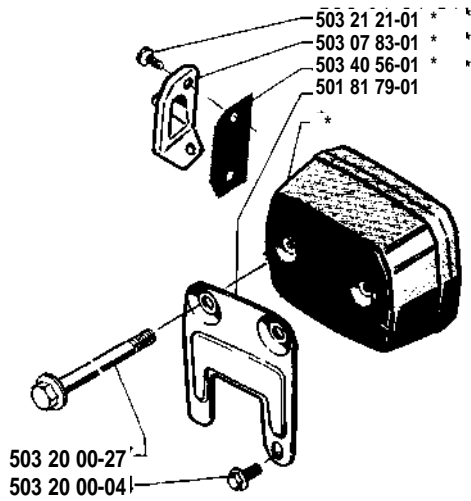
J

compl 501 67 52-02 2

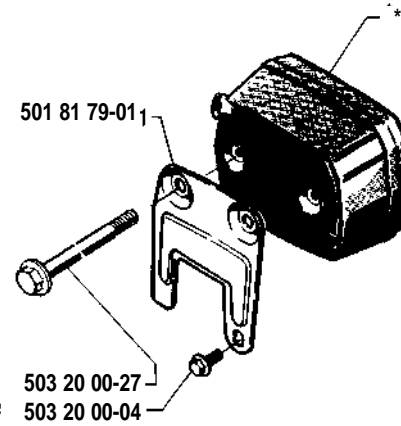




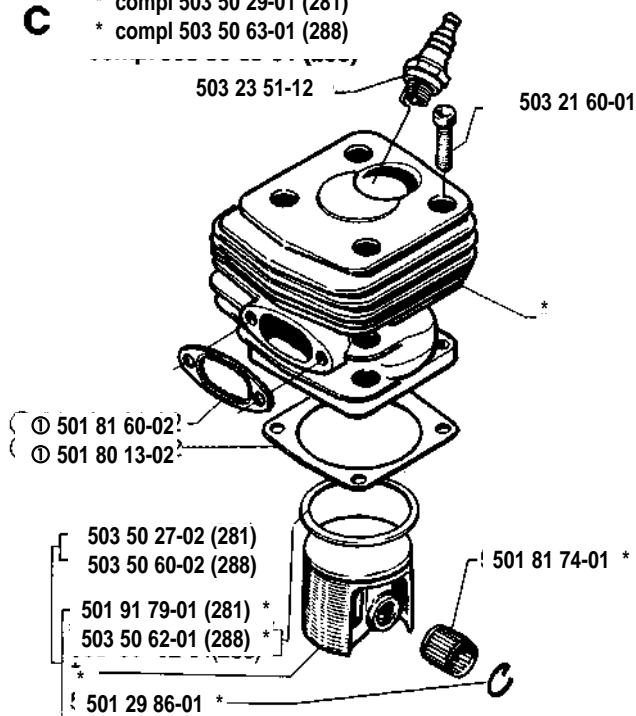
F * compl 503 07 80-011



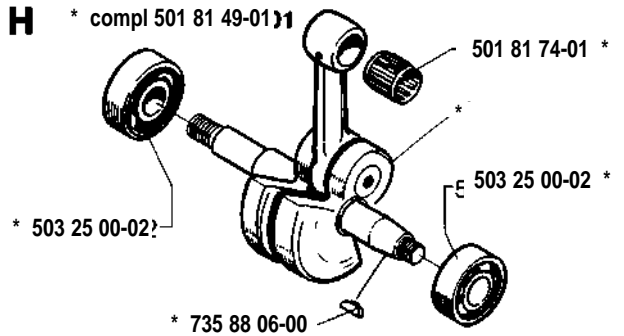
G (compl 501 81 68-01
(compl 501 81 68-02 Jungle type »)

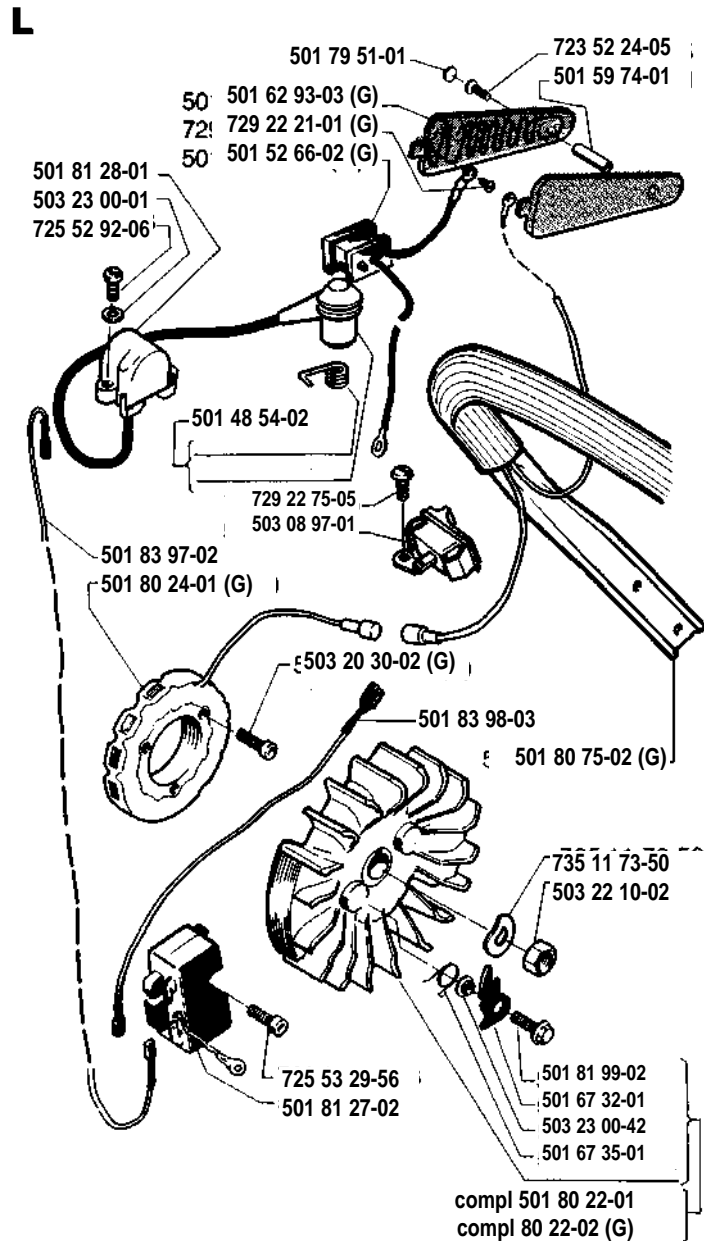
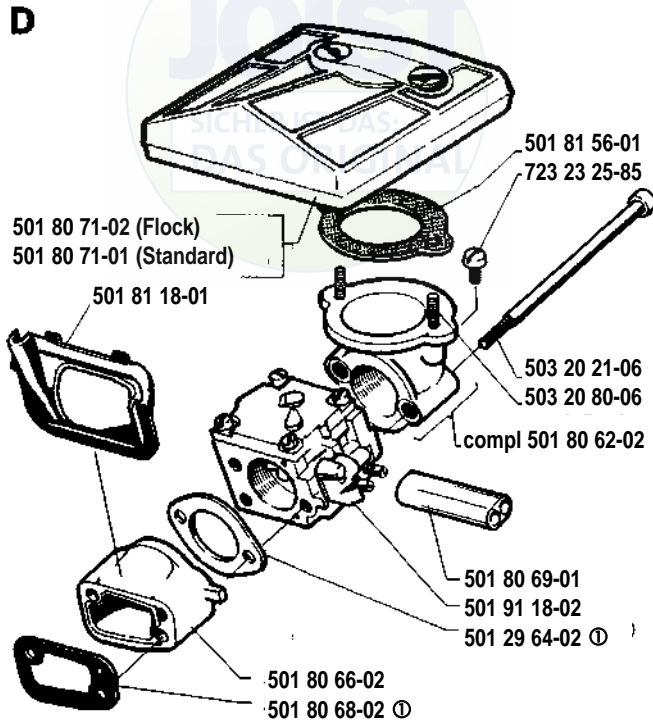


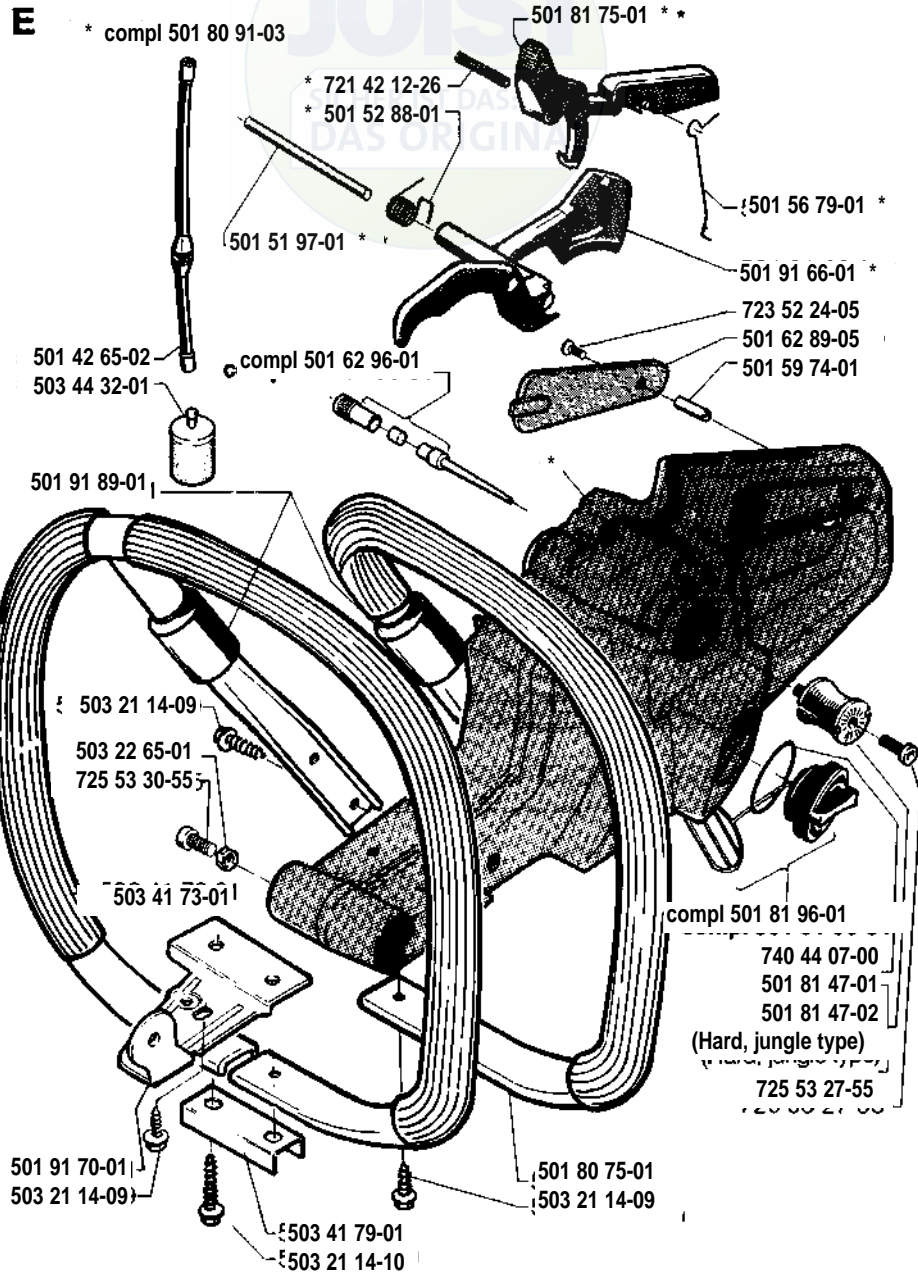
C * compl 503 50 29-01 (281)
* compl 503 50 63-01 (288)



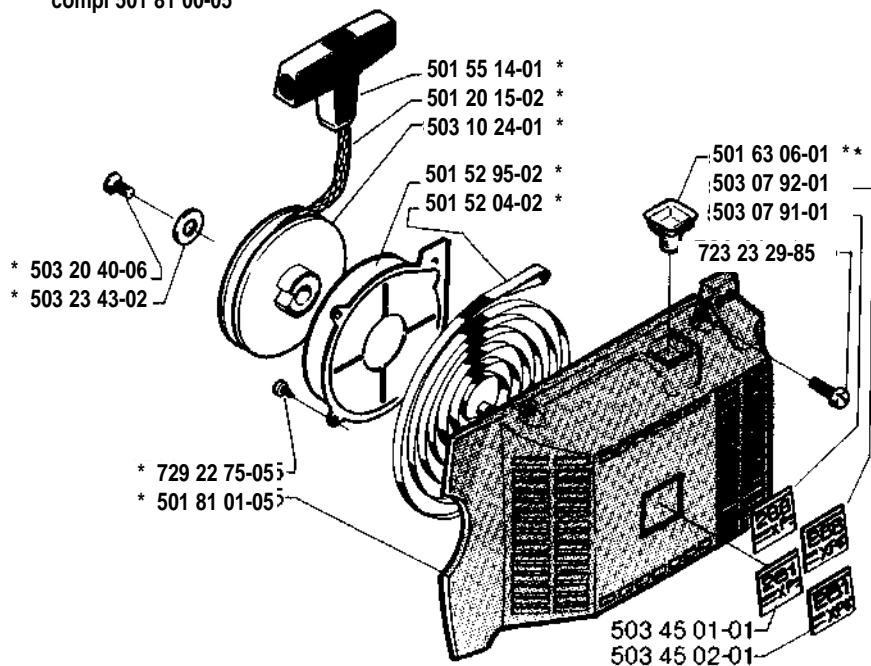
H * compl 501 81 49-01)1

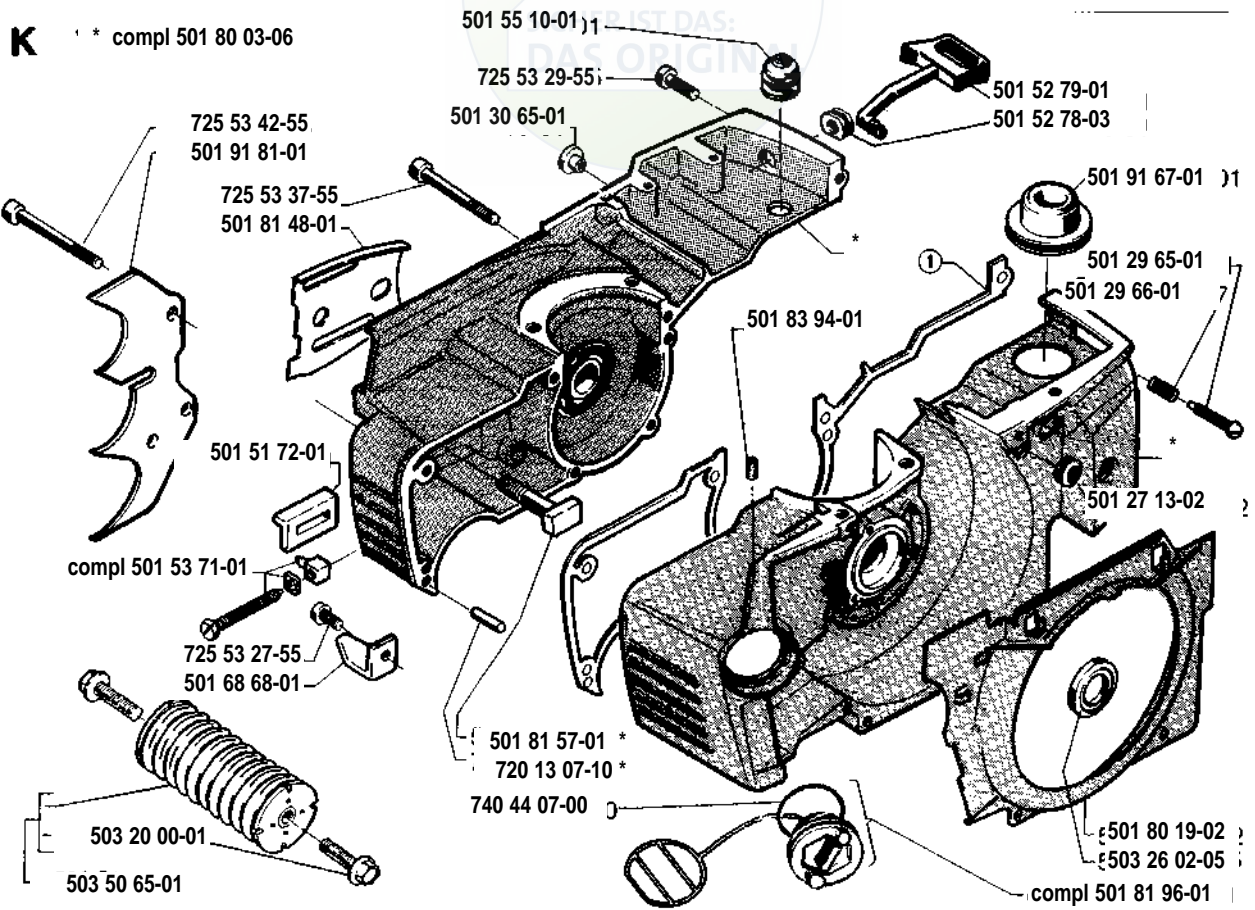
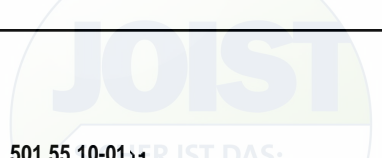






M * compl 501 81 00-05

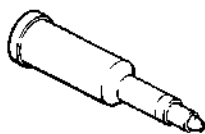
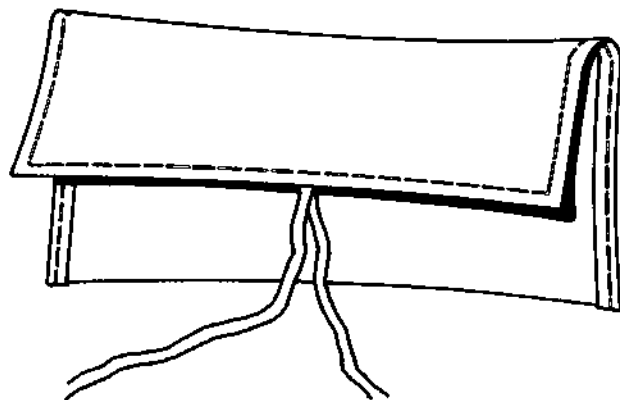




P * compl 501 67 33-02

Tillbehör
Accessories
Accessoires
Zubehöre

* 501 19 22-01



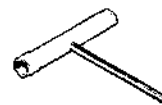
* 501 91 14-01



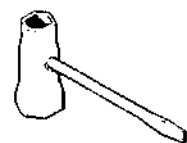
* 503 08 54-01



* 501 60 02-02 2



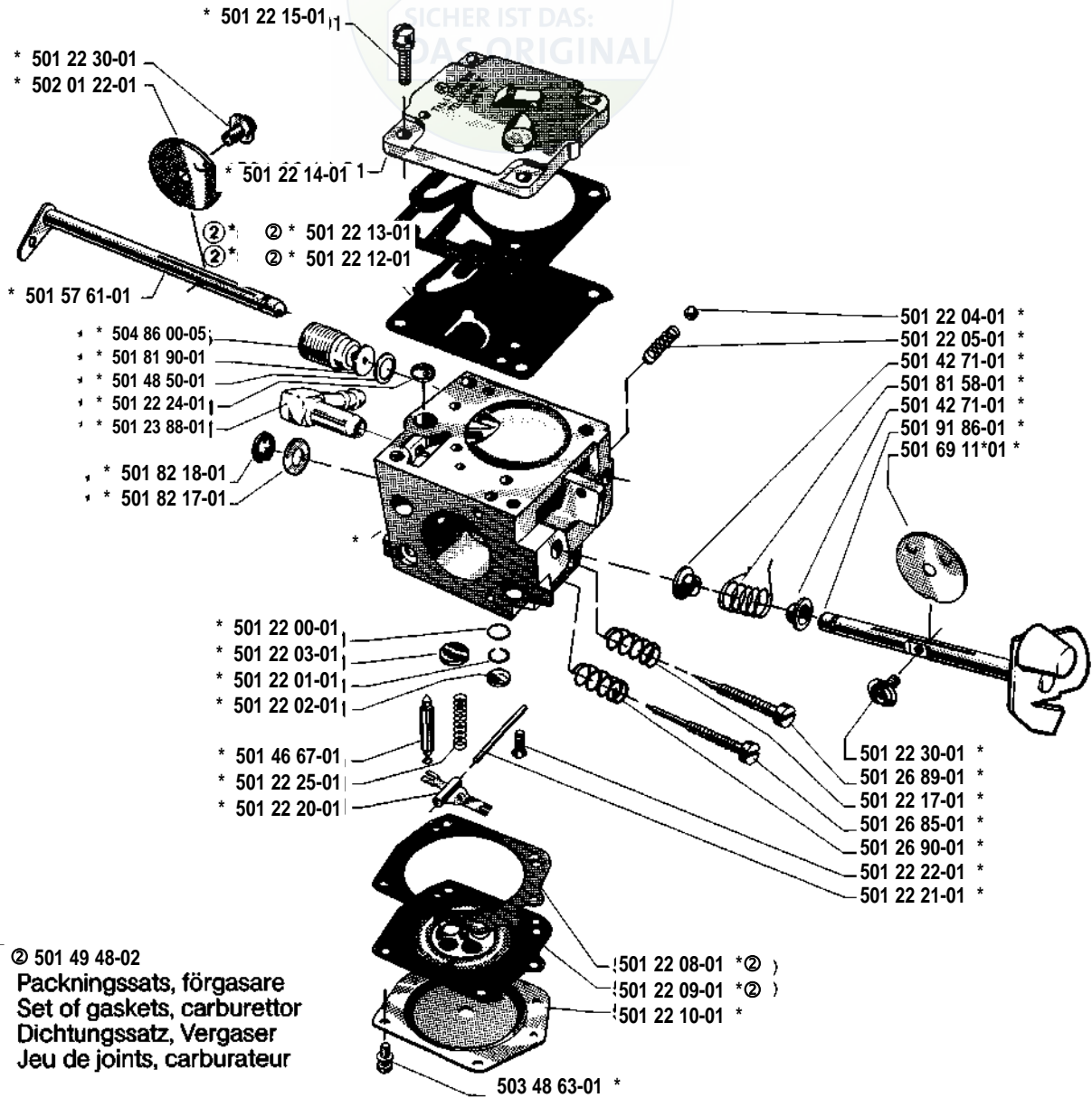
* 501 68 89-01



* 501 69 17-01

N * compl 501 91 18-02

Tillotson HS 228 A



© 501 49 48-02
 Packningssats, förgasare
 Set of gaskets, carburettor
 Dichtungssatz, Vergaser
 Jeu de joints, carburateur

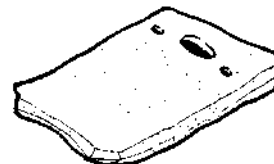
R



501 91 84-01



503 49 36-01



£ 503 17 81-01

Levereras endast som reservdel
 Delivery as spare part only
 Nur als Ersatzteil lieferbar
 Livrable seulement comme pièce de rechange
 Solo como repuesto
 Zasilá se jenom jako náhradní díl