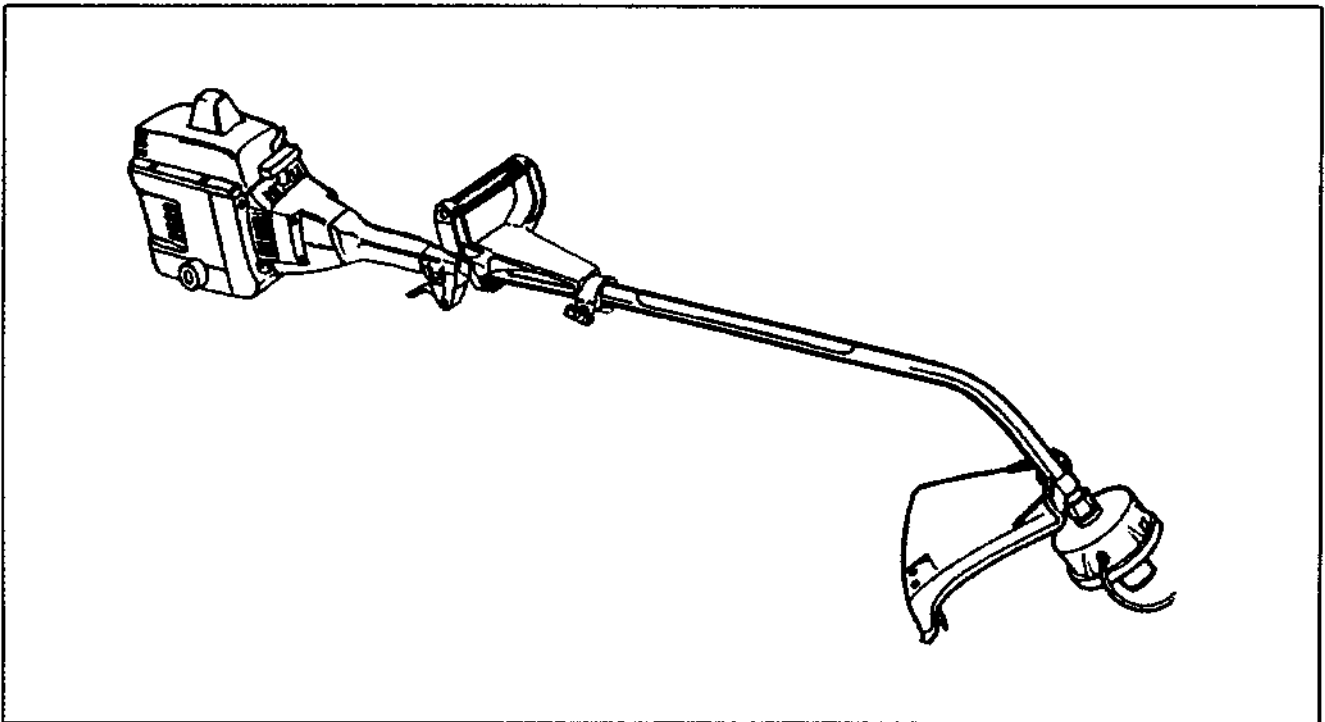




JOIST
SICHER IST DAS ORIGINAL

SERVICE		13
---------	--	----

26LC/32LC



1.1991

Spare parts

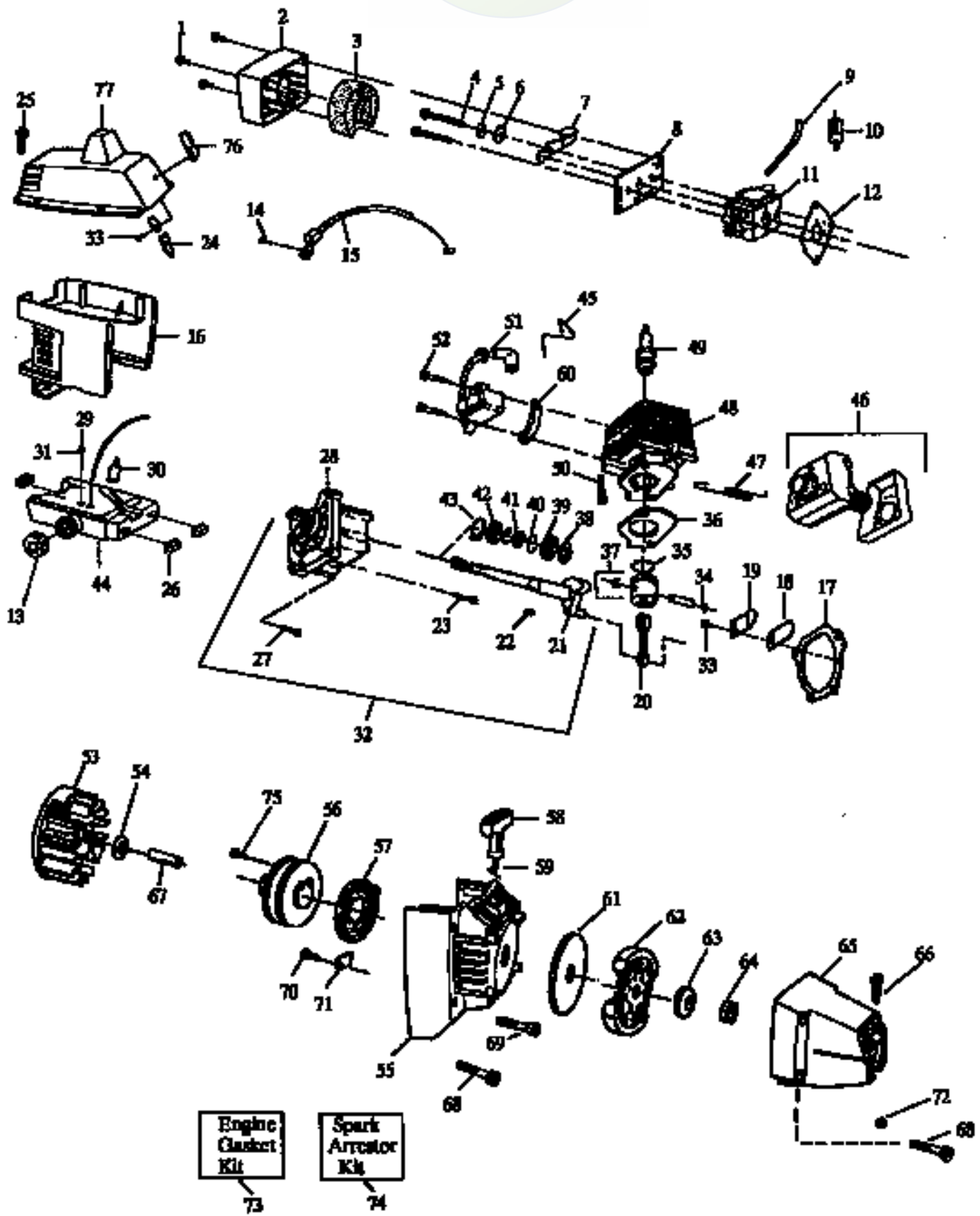
Pièces détachées

HUSQVARNA PARTS LIST

Trimmer Model:
26 LC & 32 LC

PARTS LIST NO. 880-066117 - 12/11/90	
Page No. 2	REPLACES NONE

Note: Illustrations may differ from actual models due to design changes



Note: Illustration may differ from actual models due to design changes

Key No.	Part No.	Description	Key No.	Part No.	Description
1	530 01 57-73	Screw	44	530 01 42-78	Fuel Tank Ass'y. (Incl. 29-31)
2	530 02 97-27	Air Filter Cover	45	530 02 97-59	Switch Wire Form
3	530 02 75-30	Air Filter	46	530 08 92-57	Muffler Kit
4	530 01 58-49	Screw	47	530 02 49-03	Muffler Attachment Spring
5	530 02 75-28	Spacer	48		Cylinder
6	530 01 52-54	Wave Washer		530 01 22-47	Model GT26
7	530 02 91-14	Choke Shutter		530 01 22-38	Model GT32
8	530 02 96-32	Air Filter Plate	49		Spark Plug
9	530 06 93-38	Fuel Line Kit		530 03 00-75	Model GT26 (RCJ-8Y)
10	530 01 41-99	Fuel Pick-up Ass'y.		530 03 00-73	Model GT32 (CJ-8Y)
11	530 03 52-59	Carburetor	50	530 00 16-24	Screw
12	* 530 01 91-64	Carburetor Gasket	51	530 03 91-46	Ignition Module Kit
13	530 01 43-35	Fuel Cap Ass'y.	52		Screw
14	530 01 57-75	Screw		530 01 57-76	Model GT26
15	530 02 97-21	Throttle Cable Ass'y.		530 01 51-28	Model GT32
16	530 02 96-41	Shroud	53	530 03 91-36	Flywheel Ass'y.
17	* 530 01 91-54	Crankcase/Shroud Gasket	54	530 34 79-87	Washer
18	530 02 75-93	Reed	55	530 01 43-20	Fan Housing
19	530 02 75-94	Reed Stop	56	530 06 93-35	Starter Pulley Kit (Incl. #75)
20	530 01 09-60	Connecting Rod Ass'y. (Incl. Bearings)	57	530 02 93-95	Starter Spring
21	530 01 09-34	Crankshaft Ass'y.	58	530 02 96-36	Starter Handle
22	530 01 51-26	Flywheel Key	59	530 06 93-39	Rope Kit
23	530 01 57-72	Screw	60	530 02 75-25	Spacer (Model GT26 Only)
24	530 02 97-61	Switch Retainer	61	530 09 41-89	Clutch Washer
25	530 01 58-86	Screw	62	530 06 93-36	Clutch Ass'y. Kit
26	530 02 97-60	Isolator	63	530 01 57-96	Washer
27	530 01 57-71	Screw	64	530 00 17-33	Nut
28	530 01 40-16	Crankcase Ass'y. (Incl. #39,40,41, & 42)	65	530 01 43-24	Clutch Housing
29	530 02 61-19	Check Valve	66	530 01 57-67	Screw
30	530 02 97-17	Filter Element	67	530 02 75-11	Spacer
31	530 02 96-96	Retainer	68	530 01 57-70	Screw
32	530 01 40-15	Crankcase & Crankshaft Ass'y (#38,39,40,41,42,& 43)	69	530 01 57-69	Screw
33	530 01 52-41	Screw	70	530 01 54-96	Screw
34	530 01 51-62	Piston Pin Retainer	71	530 02 75-23	Retainer
35		Piston Ring	72	530 01 57-68	Locknut
	530 02 73-69	Model GT26	73	530 06 93-25	Engine Gasket Kit (*Indicates Contents)
	530 02 58-75	Model GT32	74	952 70 16-12	Spark Arrestor Kit
36	* 530 01 91-78	Cylinder Gasket	75	530 01 58-23	Screw
37		Piston Kit (Incl. #34,35 & pin)	76	530 02 97-57	Switch Lever
	530 06 92-40	Model GT26	77	530 02 97-70	Cylinder Cover
	530 06 92-77	Model GT32			
38	530 01 57-88	Spacer			
39	530 03 21-03	Inner Bearing			
40	530 01 57-87	Retaining Ring			
41	530 01 91-58	Crankshaft Seal			
42	530 32 1-02	Outer Bearing			
43	530 01 57 -89	Crankshaft Retaining Ring			
				530-029896	Instruction Decal
				530-061384	Carton
				Not Shown	

PARTS LIST NO. 530-068117 - 12/18/90	
Page No. 1	REPLACES NONE

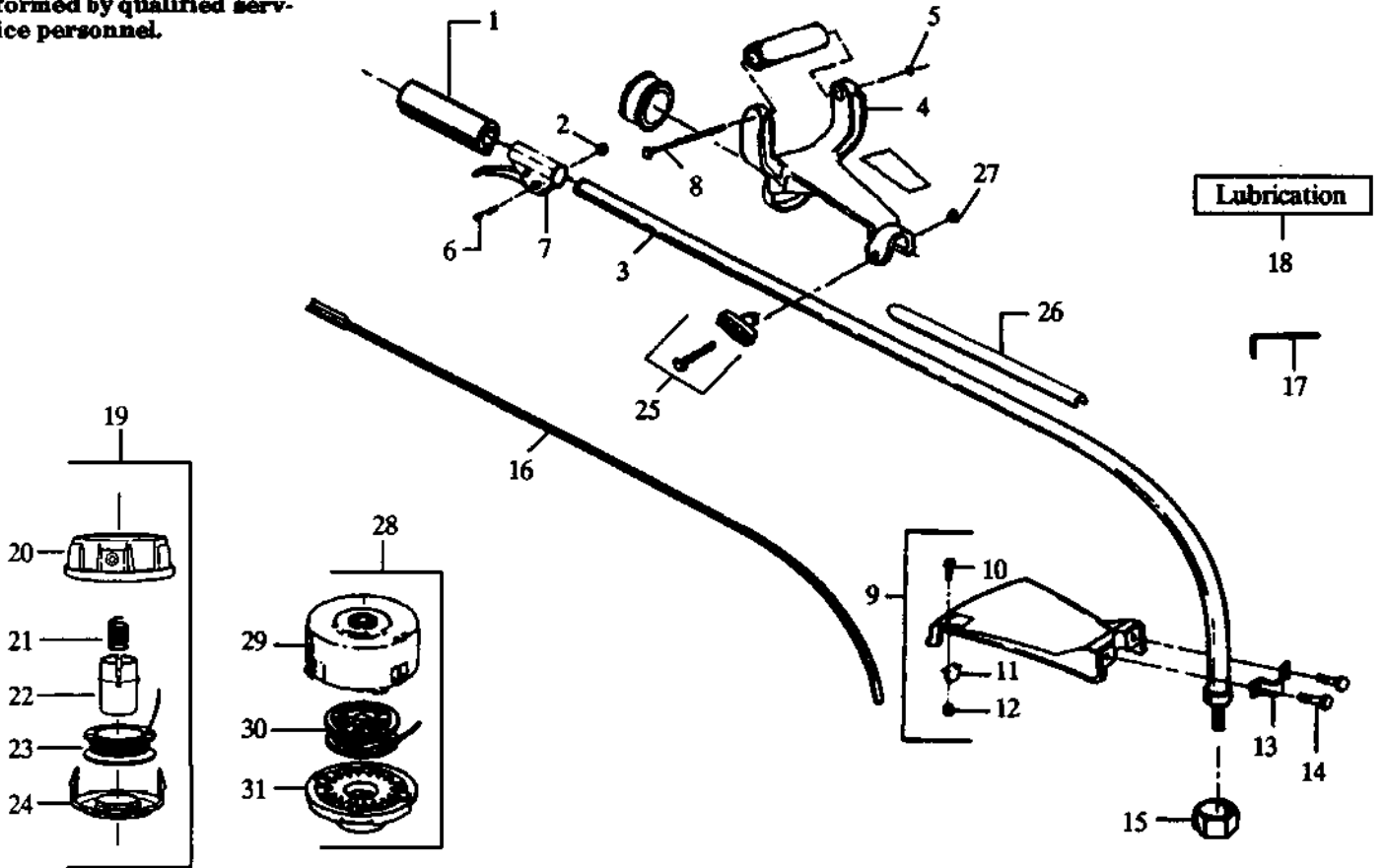
HUSQVARNA PARTS LIST

Note: Illustrations may differ from actual models due to design changes

**Trimmer Models:
26 LC & 32 LC**

⚠ WARNING

All repairs, adjustments and maintenance not described in the Operator's Manual must be performed by qualified service personnel.

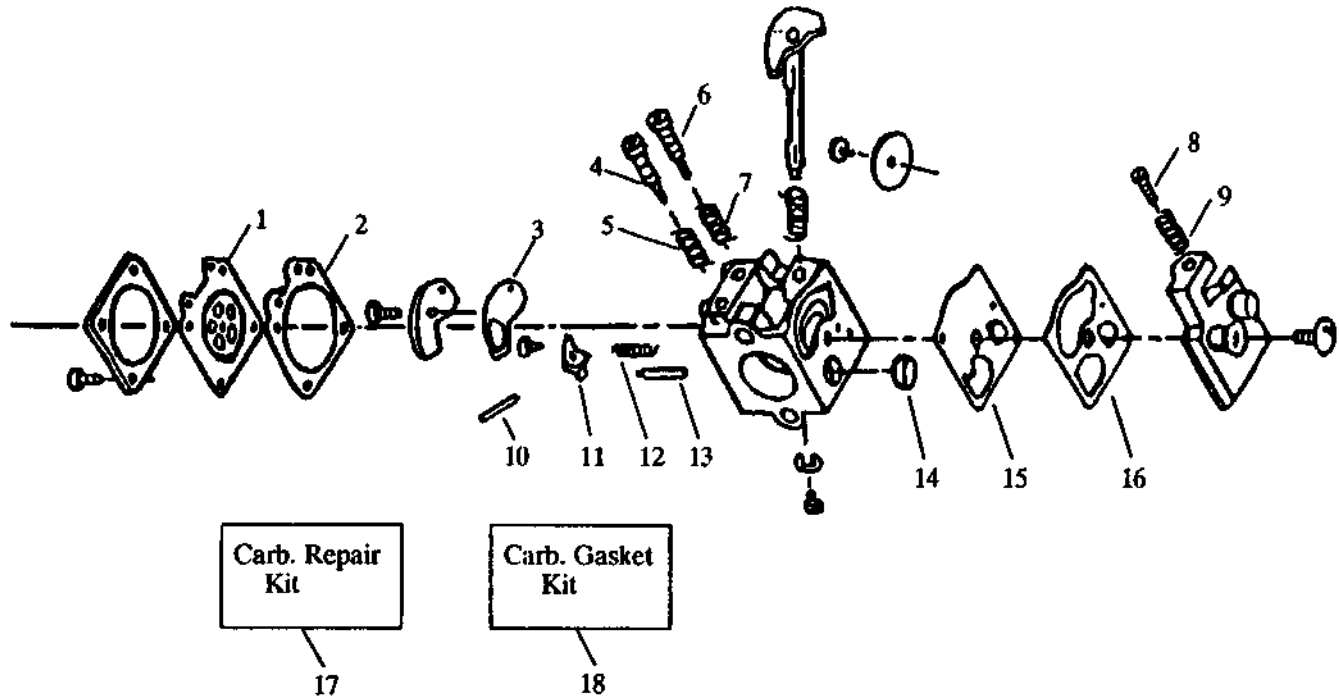


For Husqvarna Parts Call 606-678-9623 or 606-561-4983

Key No.	Part No.	Description	Key No.	Part No.	Description
1	530 02 97-62	Grip	19	952 70 85-23	Cutting Head Ass'y.
2	530 01 57-68	Nut	20	530 49 48-78	Hub Ass'y.
3	530 09 46-41	Drive Shaft Housing	21	530 09 48-30	Spring
4	530 09 50-34	Antivibe Handle	22	530 09 48-27	Release Button
5	530 01 57-85	Nut	23	952 70 85-10	Spool w/Line
6	530 01 57-74	Screw	24	530 09 48-28	Cover
7	530 01 43-31	Throttle Housing Ass'y.	25	530 06 93-47	"T" Handle
8	53 00 157-84	Screw	26	530 02 91-59	Shaft Warning Decal
9	530 06 93-45	Shield Kit Ass'y. (Incl. #10, 11, 12 & 14)	27	530 01 51-97	Nut
10	530 01 53-37	Screw	28	952 70 85-29	Cutting Head Ass'y.
11	530 09 45-70	Line Limiter	29	530 09 45-92	Hub Ass'y.
12	530 01 56-53	Locknut	30	952 70 85-28	Spool w/Line
13	530 09 36-53	Shield Bracket	31	530 09 44-94	Cover
14	530 09 22-43	Screw	Not Shown		
15	530 09 45-43	Dust Cup			
16	530 09 45-51	Drive Shaft		530 46 80-67	Operator's Manual
17	530 03 11-11	Hex Wrench (5/32)			Carton Contents Bag
18	530 03 01-02	Shaft Lubrication		530 01 43-42	Model GT26
				530 01 43-38	Model GT32

PARTS LIST NO. 530-068117 - 12/18/90		HUSQVARNA PARTS LIST SICHER IST DAS: Note: Illustrations may differ from actual models due to design changes	Trimmer Models: 26 LC & 32 LC
Page No. 4	REPLACES NONE		

Carburetor Assembly Part Number 530-035259



For Husqvarna Parts Call 606-678-9623 or 606-561-4983



Key No.	Part No.	Description	Key No.	Part No.	Description
1	5300350-14	* + Metering Diaphragm	11	530 03 5031	+ Metering Lever
2	5300351-51	* + Metering Diaphragm Gasket	12	530 03 51-88	+ Metering Lever Spring
3	5300351-47	* + Circuit Plate Gasket	13	530 03 51-06	+ Inlet Needle Valve
4	5300351-42	Hi Speed Needle	14	530 03 51-78	+ Inlet Screen
5	5300350-36	Hi Speed Needle Spring	15	530 03 51-66	* + Pump Diaphragm
6	5300351-41	Idle Needle	16	530 03 51-64	* + Pump Gasket
7	5300350-23	Idle Needle Spring	17	530 03 52-60	Carb. Kwik Repair Kit (+ Indicates Contents)
8	5300352-03	Idle Speed Screw	18	530 03 51-85	Carb. Gasket/Diaphragm Kit (*Indicates Contents)
9	5300352-08	Idle Speed Spring			
10	5300350-28	+ Metering Pin			