

245 (EPA only for US)

240 (EPA only for US)

240

245

Spare parts

Ersatzteile

Pièces détachées

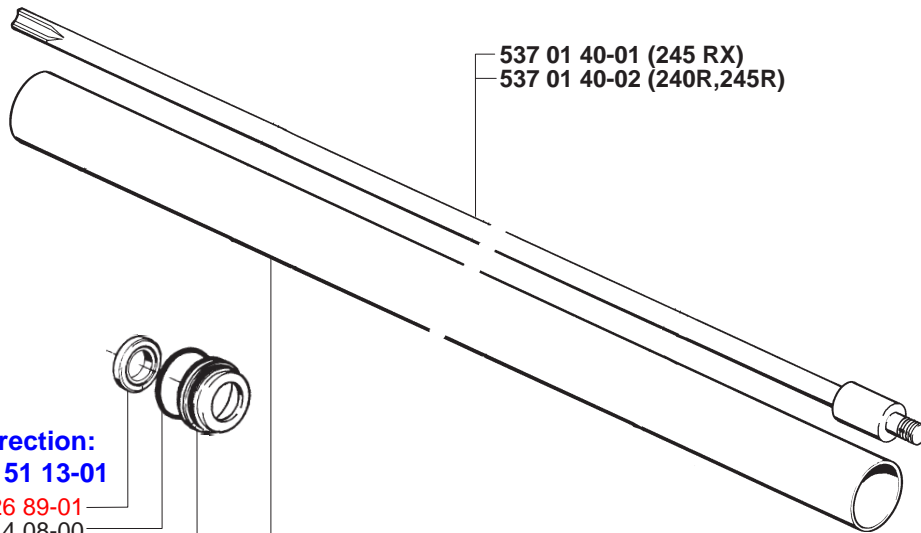
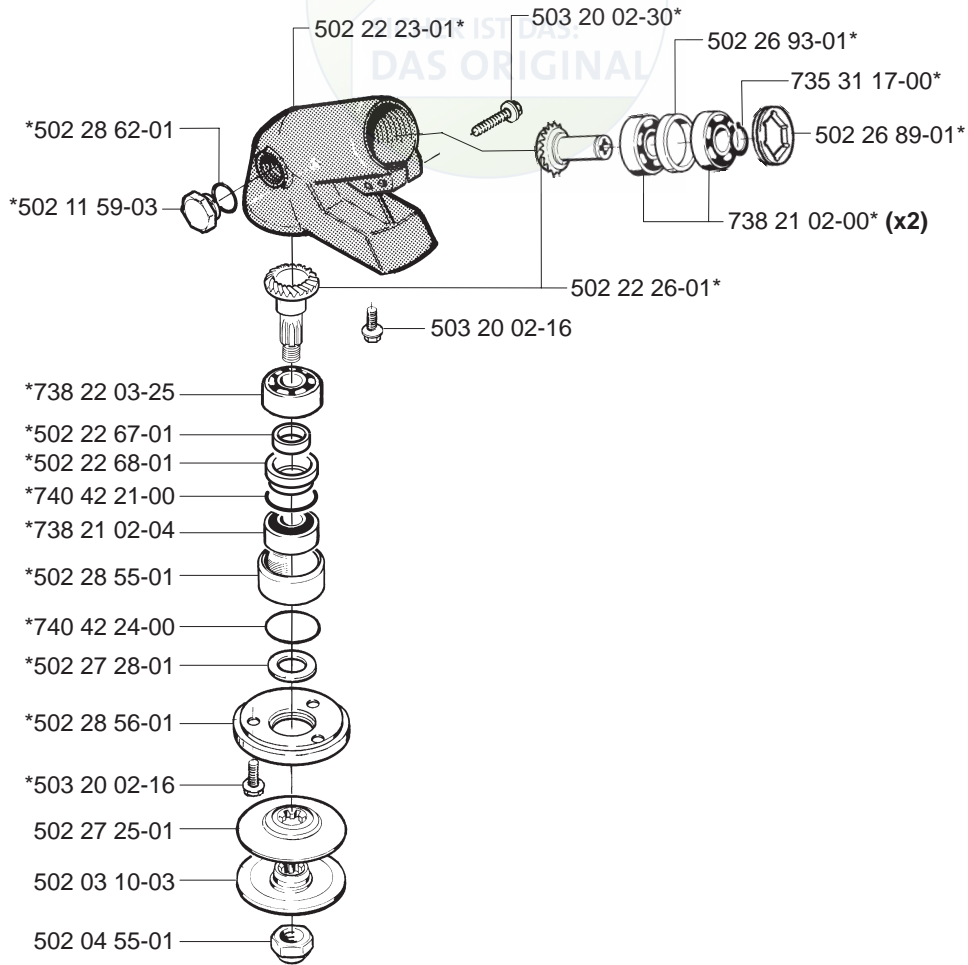
Reserve onderdelen

Repuestos

Reservdelar

A

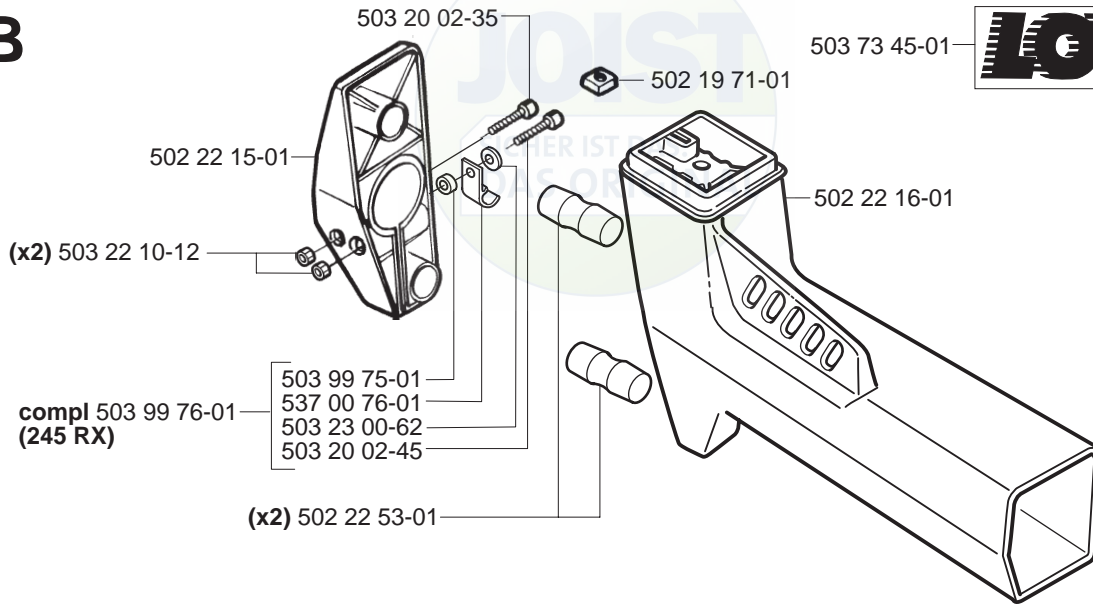
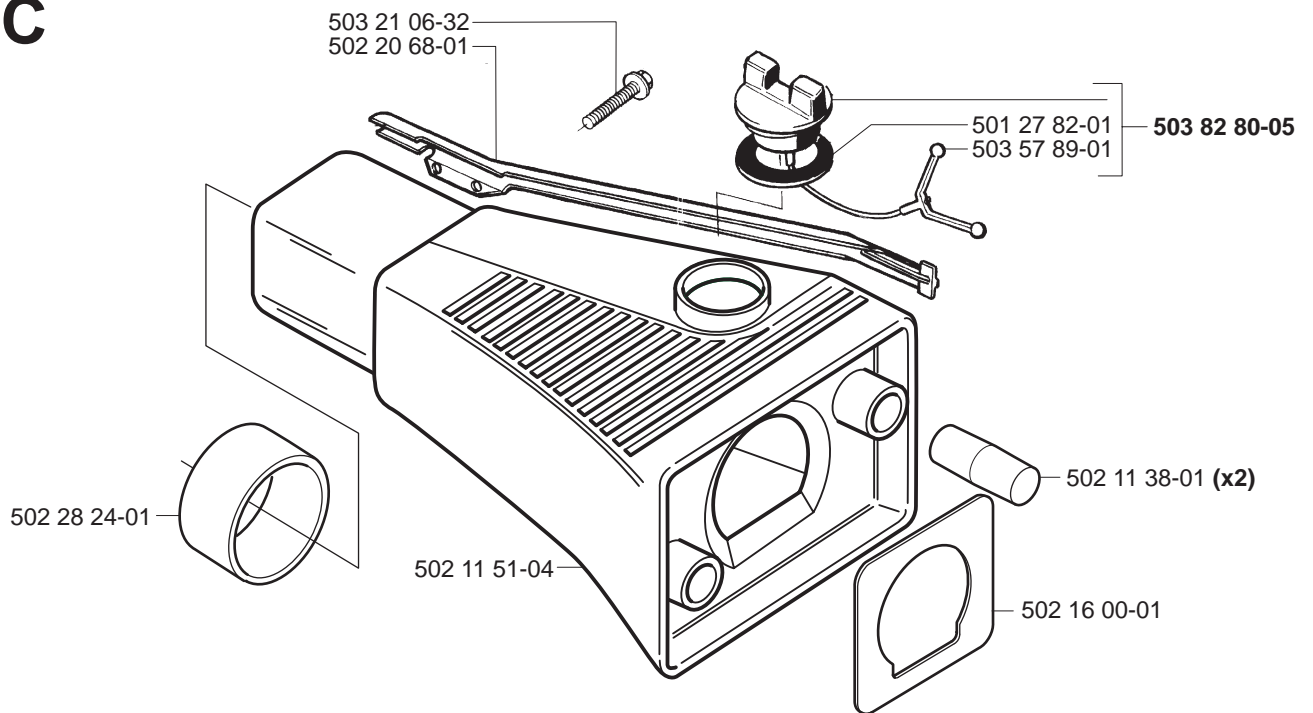
*compl 502 28 57-02



502 12 02-03 (245 RX)
502 12 02-05 (240R,245R)

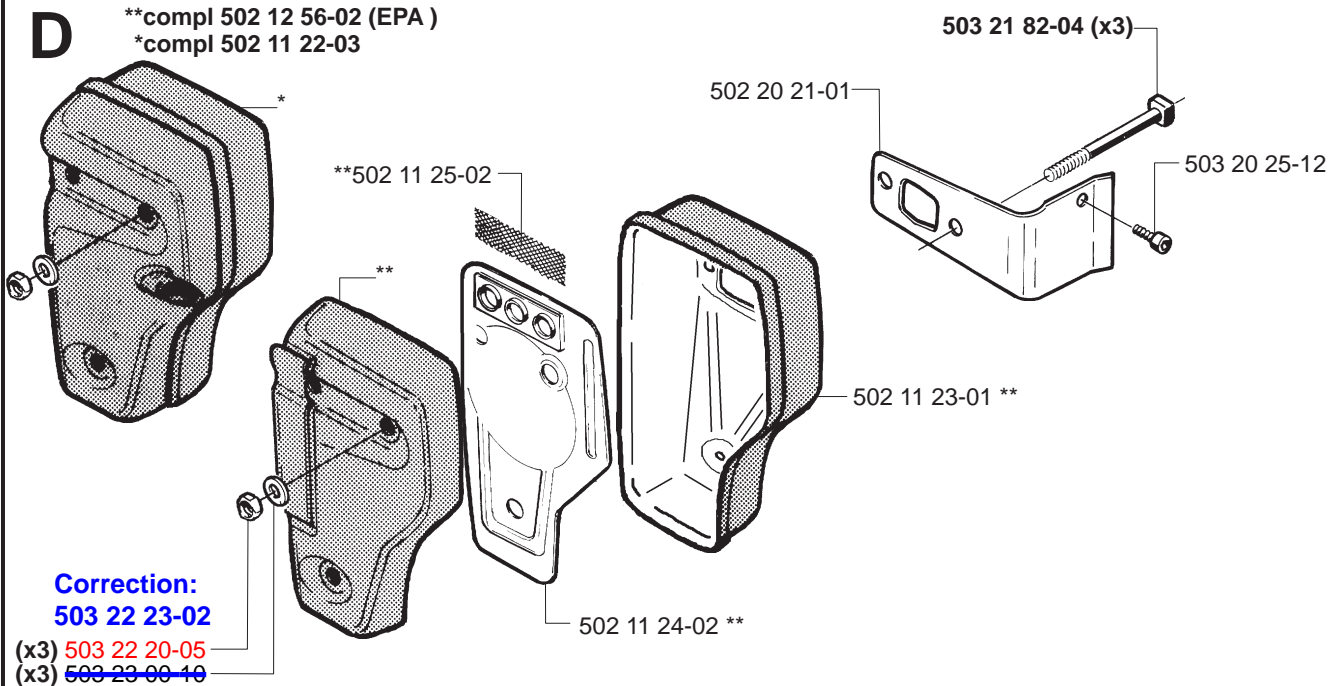
537 02 76-02



B**C****D**

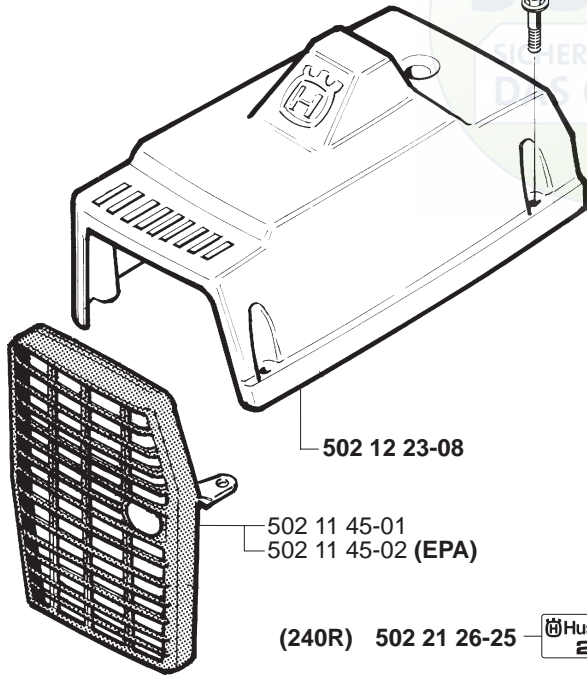
**compl 502 12 56-02 (EPA)

*compl 502 11 22-03



E

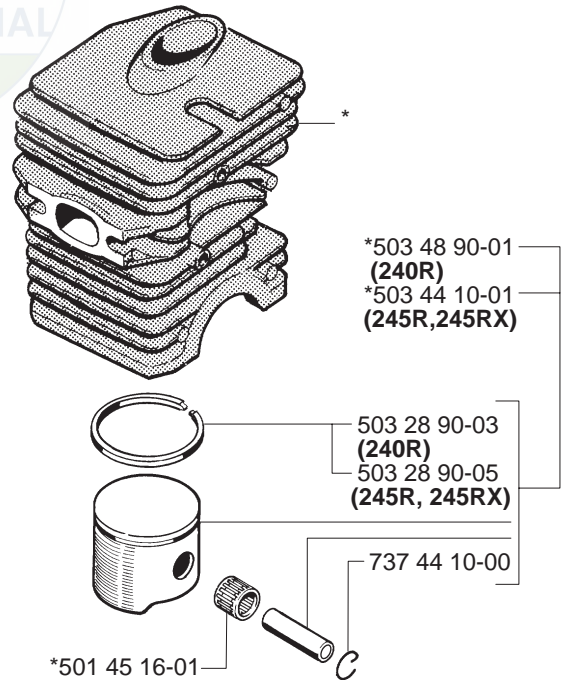
503 20 09-20 (x4)



(240R) 502 21 26-25

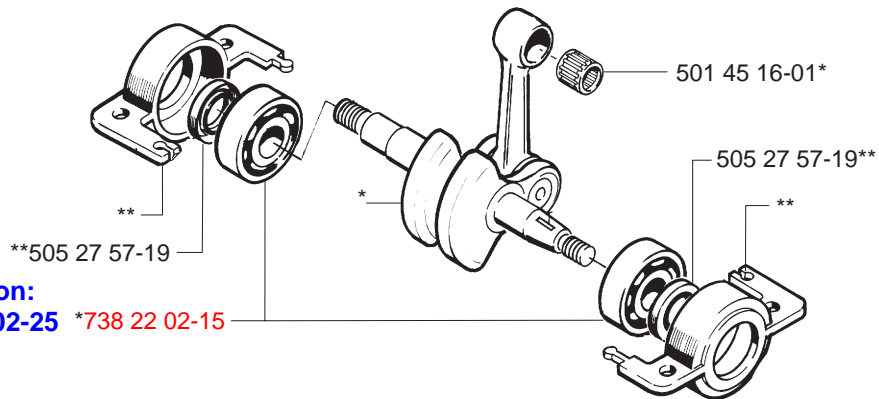
(245R) 502 21 26-26

(245RX) 502 21 26-27

F*compl 506 01 06-07 (240R)
*compl 503 44 08-02 (245R, 245RX)*503 48 90-01
(240R)
*503 44 10-01
(245R,245RX)503 28 90-03
(240R)
503 28 90-05
(245R, 245RX)

737 44 10-00

*501 45 16-01

G*compl 503 57 38-06
**compl 502 23 02-01

**505 27 57-19

501 45 16-01*

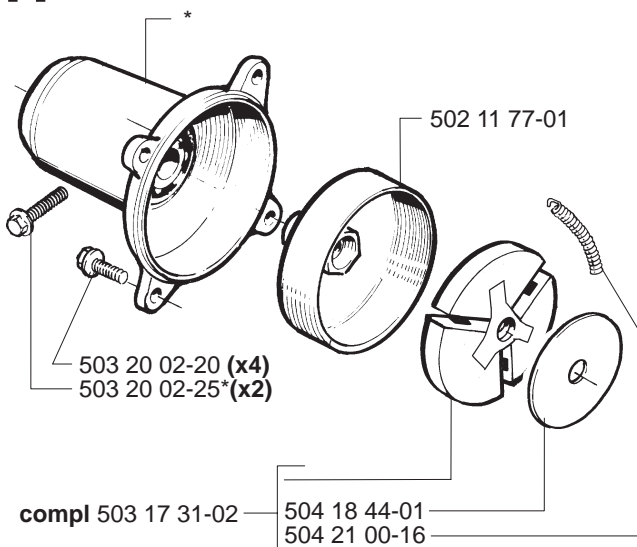
505 27 57-19**

Correction:

*738 22 02-25 *738 22 02-15

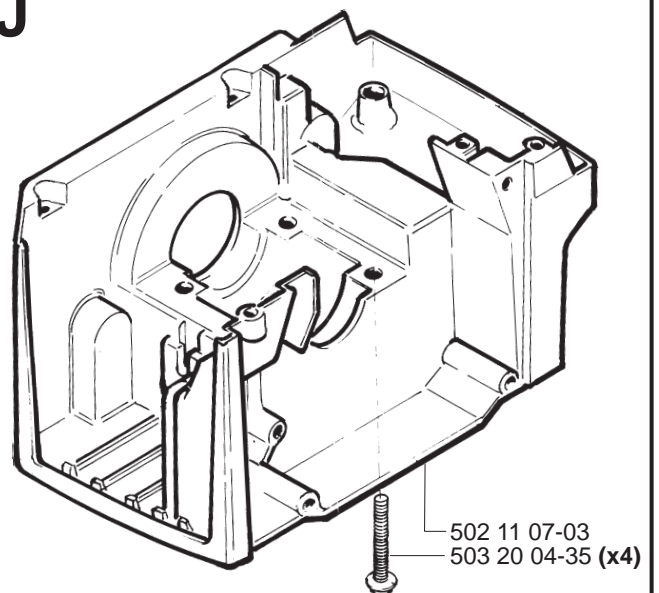
H

*compl 502 11 52-01

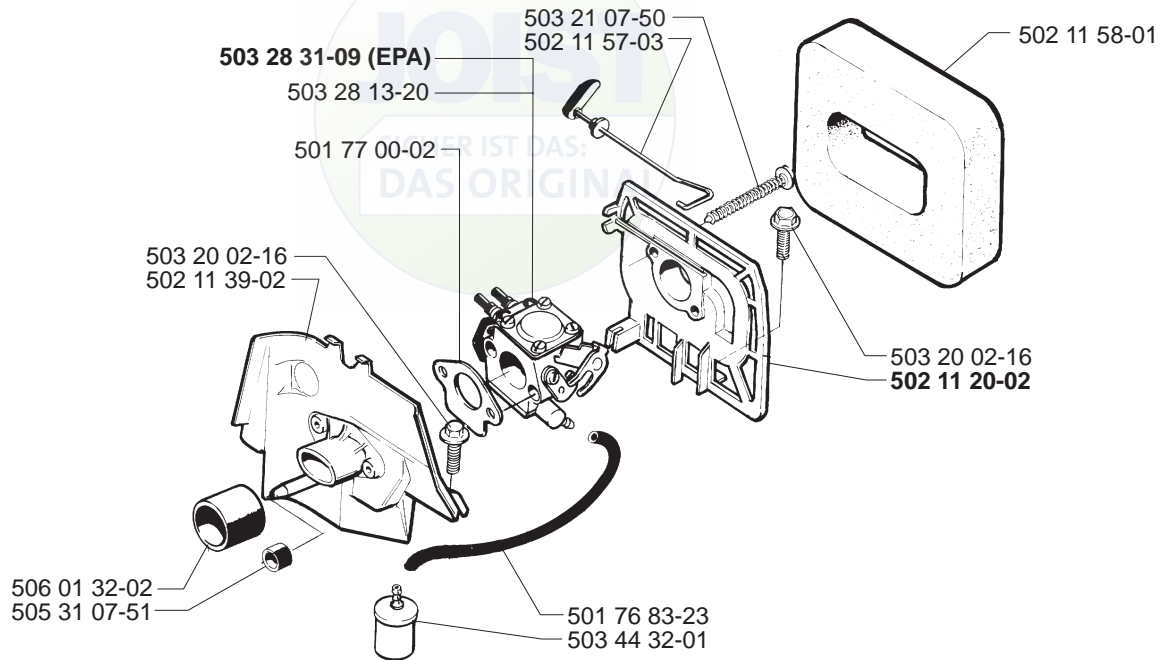
503 20 02-20 (x4)
503 20 02-25*(x2)

502 11 77-01

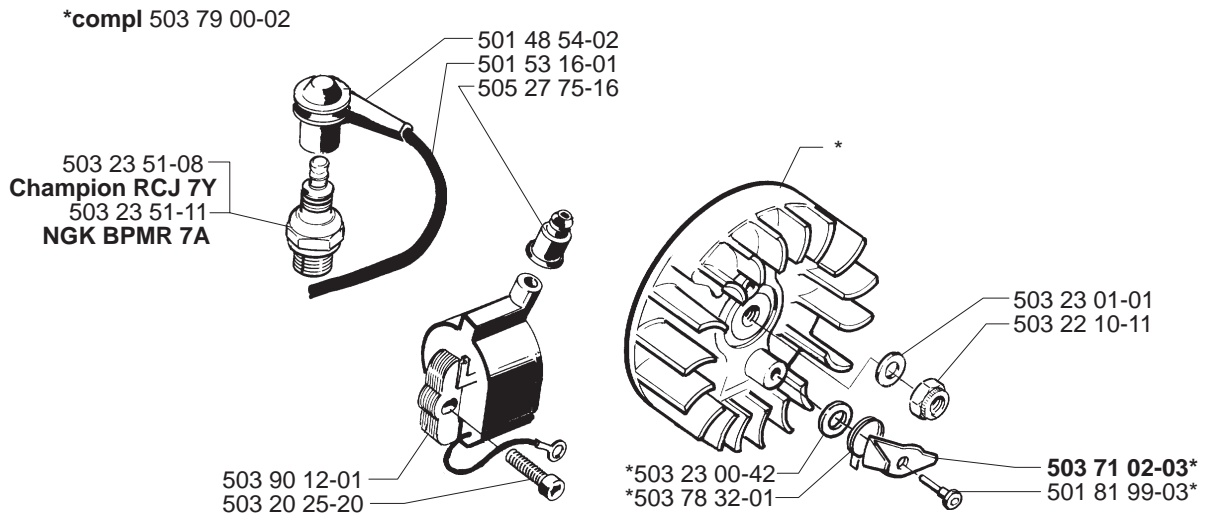
compl 503 17 31-02

504 18 44-01
504 21 00-16**J**502 11 07-03
503 20 04-35 (x4)

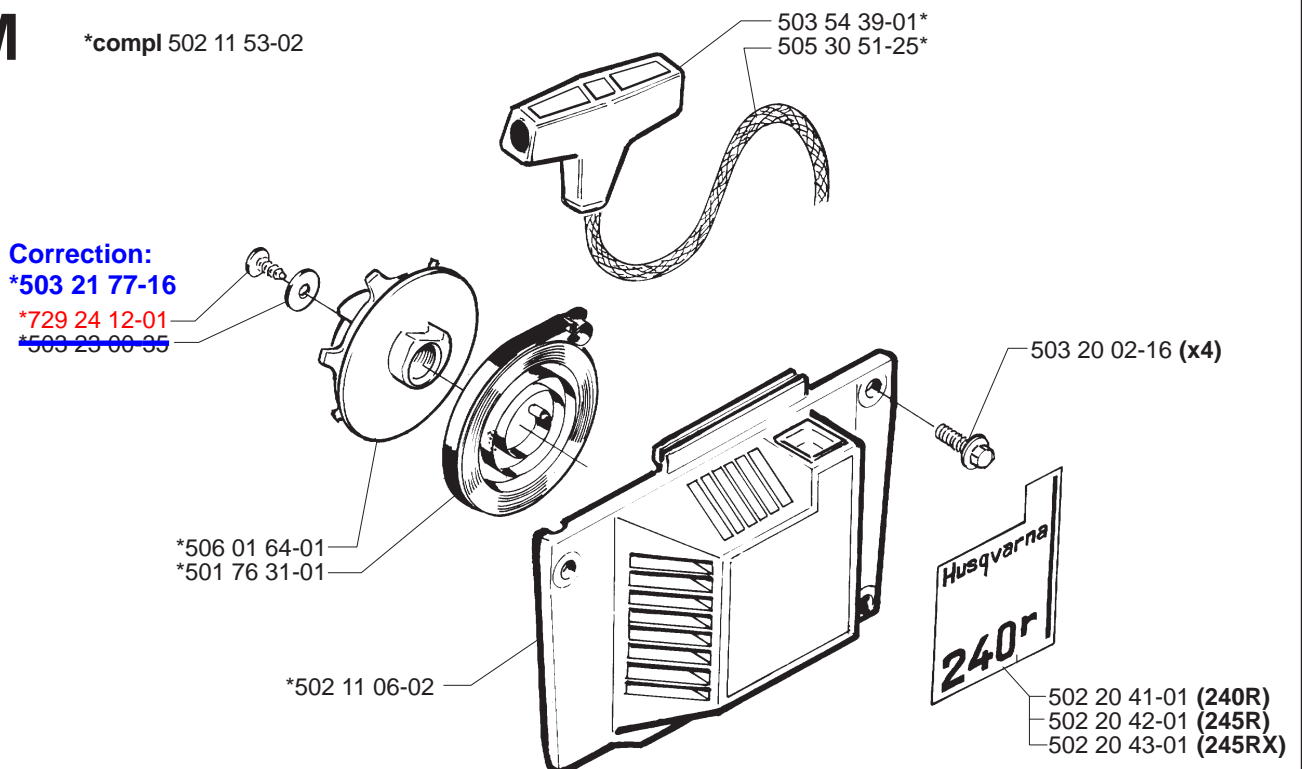
K



L

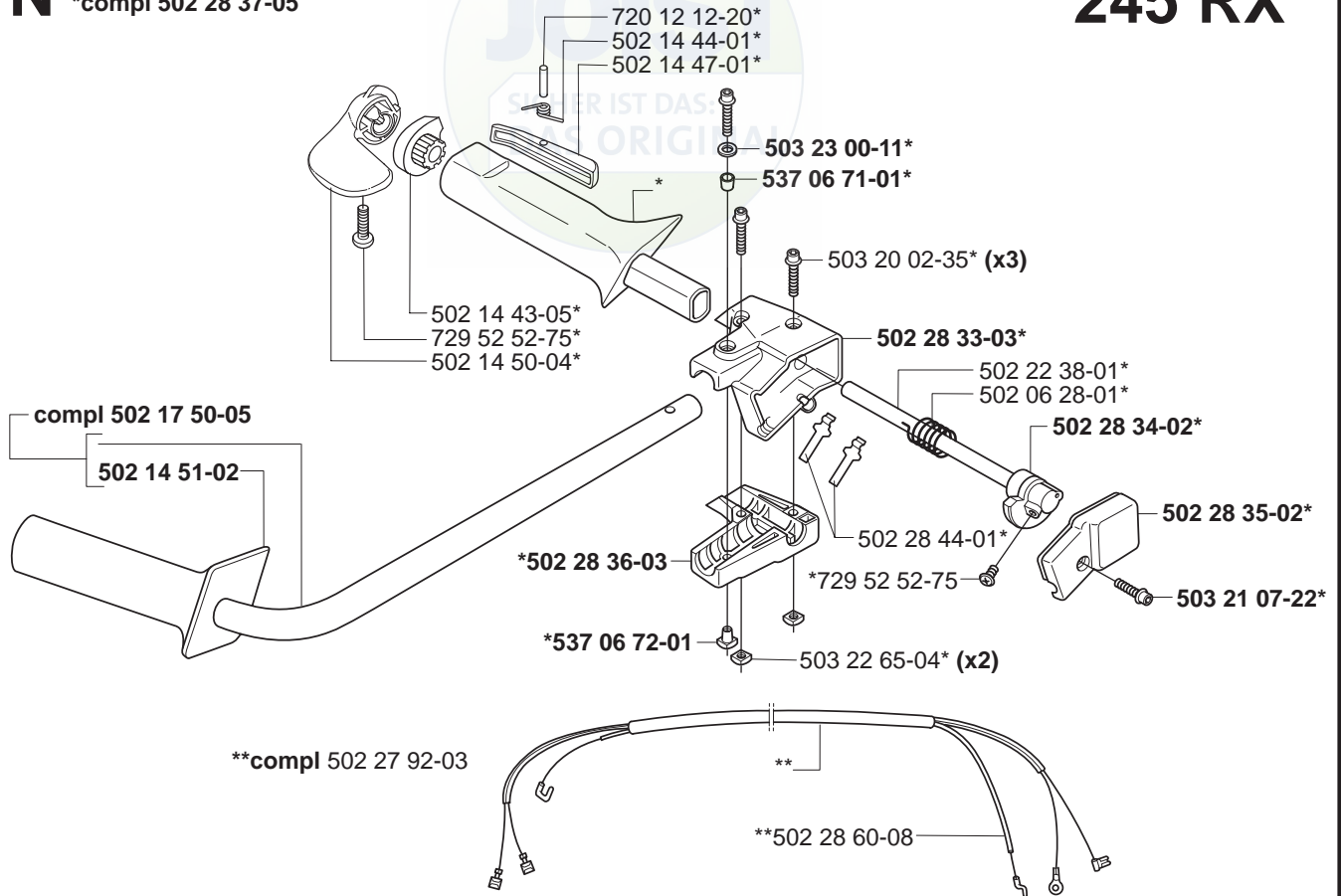


M



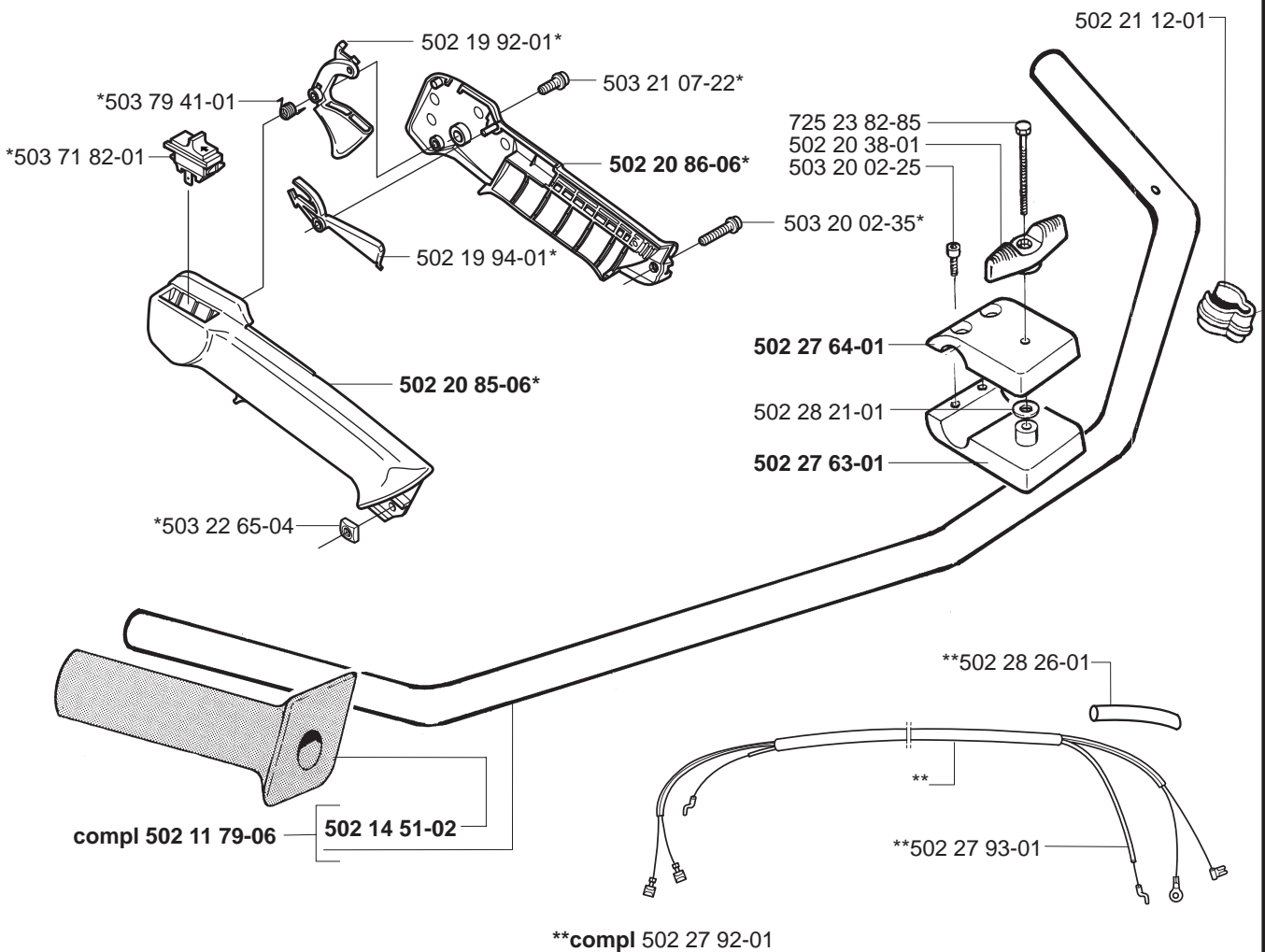
N *compl 502 28 37-05

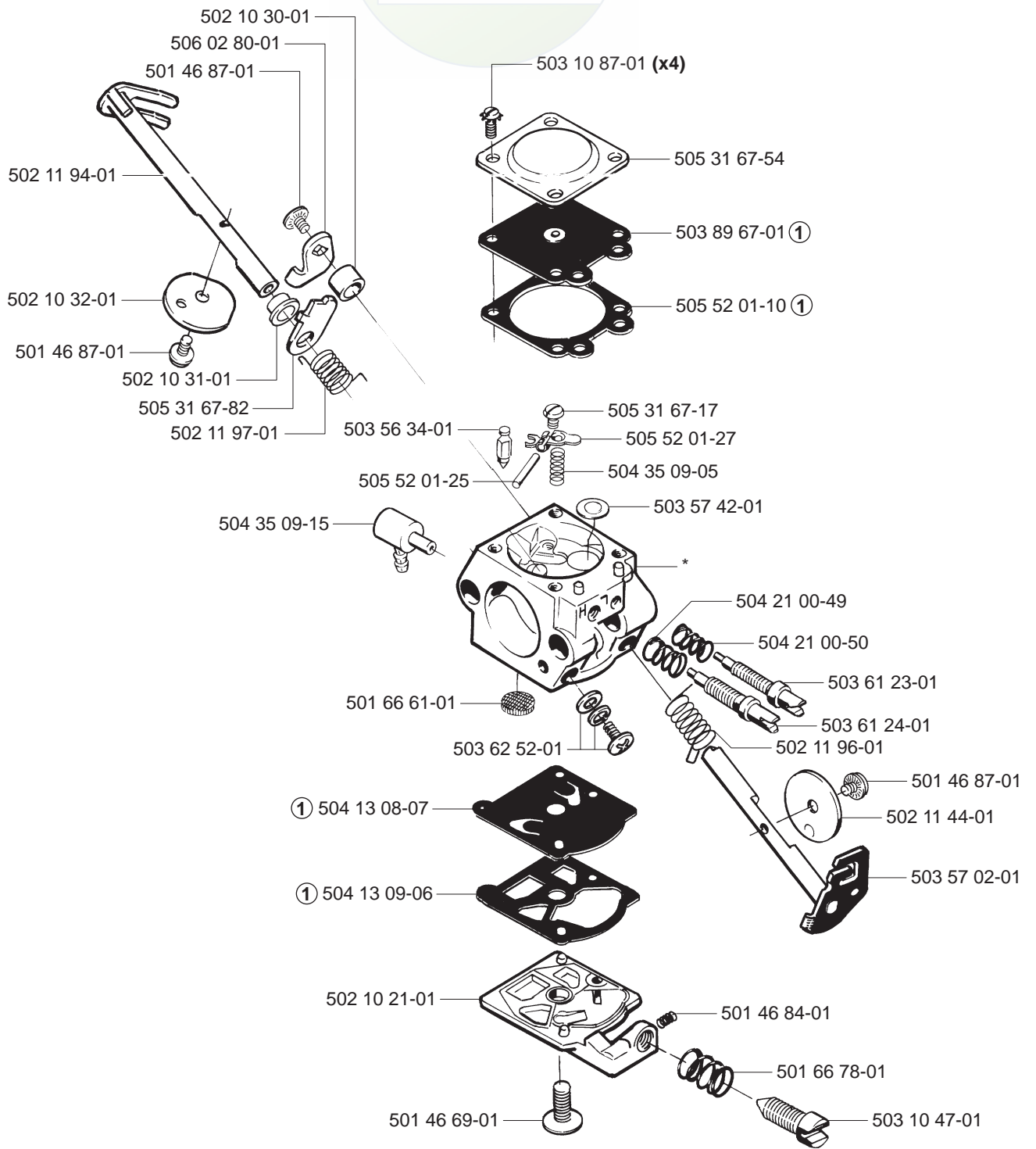
245 RX



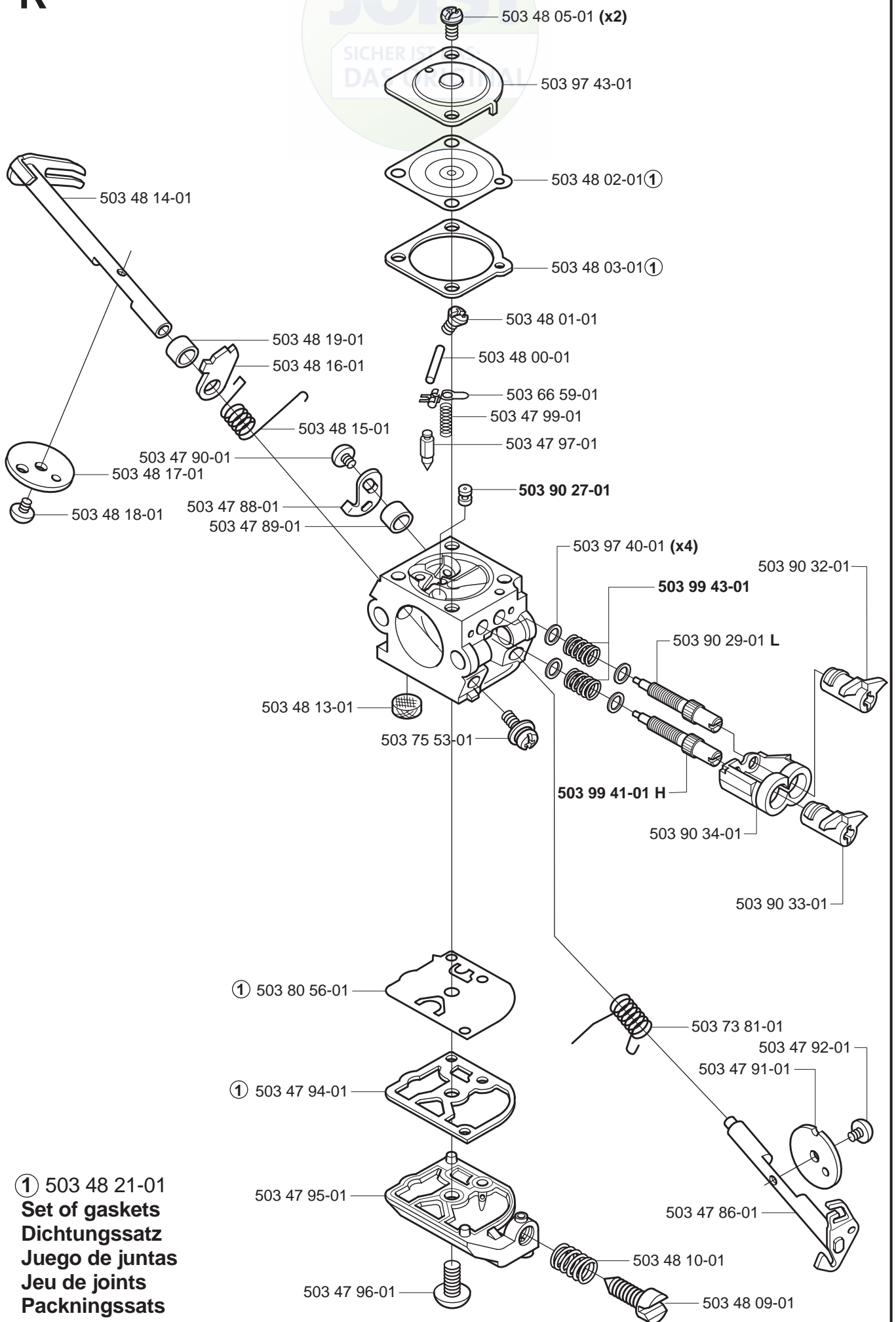
P *compl 502 28 06-11

240R, 245R





① 502 10 35-01
Set of gaskets
Dichtungssatz
Juego de juntas
Jeu de joints
Packningssats



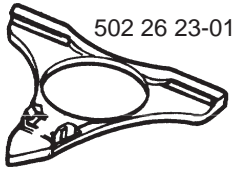
① 503 48 21-01
Set of gaskets
Dichtungssatz
Juego de juntas
Jeu de joints
Packningssats

S

Accessories Zubehöre Accessoires Accesorios Tillbehör

*compl 502 27 33-03

*501 19 22-01

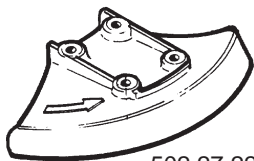


502 26 23-01

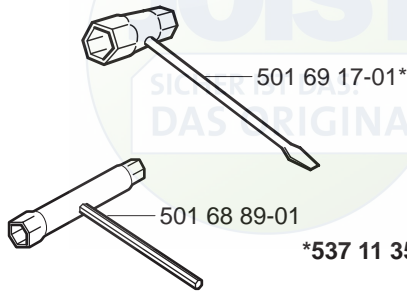


502 03 55-02 (8"-10")

503 97 64-01



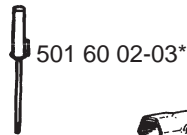
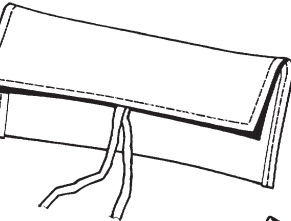
502 27 22-01 (8")
502 03 94-03 (9")



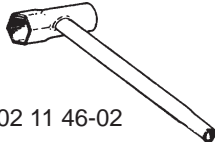
501 69 17-01*



501 68 89-01



501 60 02-03*



*502 11 46-02



502 21 58-01*

1,0 lit.

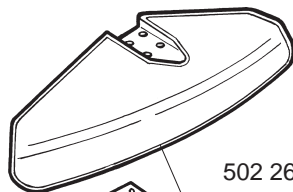


Olja Luftfilter
Oil Airfilter
Öl Luftfilter
Aceite Filtro Air
Huile Filtera aire

*537 11 35-01 (x3)

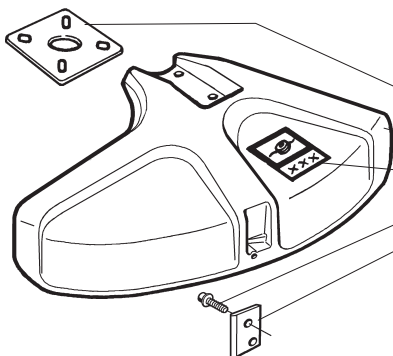
*502 02 01-01

531 00 60-76



502 26 34-01

503 77 63-01



compl 503 91 60-01

503 77 63-01

503 74 29-01

502 21 07-16

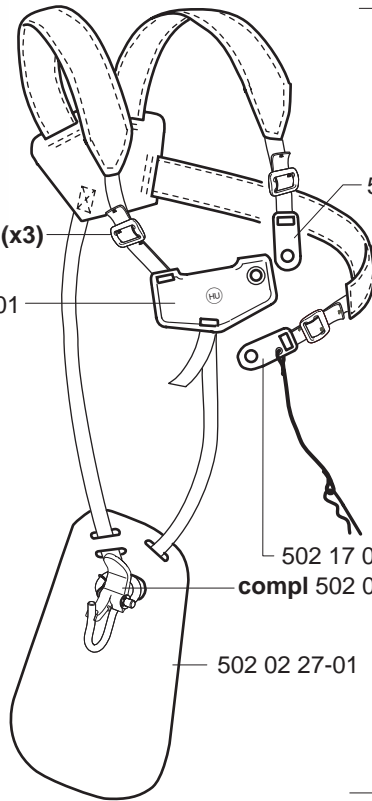
503 79 88-01

Correction:
503 21 07-16

**compl 502 02 28-01

*compl 502 17 00-01
*compl 502 17 00-02 US

240R



502 17 02-01*

*537 11 35-01 (x3)

*502 17 01-01

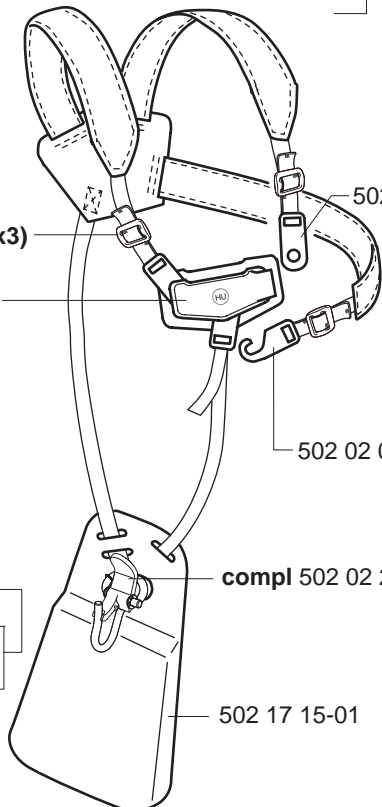
502 17 05-01*

compl 502 02 28-01**

502 02 27-01

*compl 502 02 00-02
*compl 502 02 00-03 US

245R
245RX



502 17 02-01*

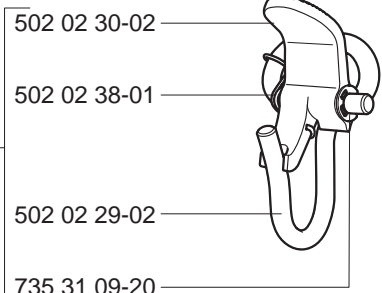
*537 11 35-01 (x3)

*502 02 01-01

502 02 06-01*

compl 502 02 28-01**

502 17 15-01



502 02 30-02

502 02 38-01

502 02 29-02

735 31 09-20

MODEL 245 EPA, 240 EPA, 240, 245

PART NUMBER	SQUARE NOTE	PART NUMBER	SQUARE NOTE	PART NUMBER	SQUARE NOTE	PART NUMBER	SQUARE NOTE
501 19 22-01	S N	502 17 00-01	S	503 20 02-35	BNP	503 74 29-01	S
501 27 82-01	C	502 17 00-02	S	503 20 02-45	B	503 75 53-01	R N
501 45 16-01	FG	502 17 01-01	S	503 20 04-35	J	503 77 63-01	S
501 46 69-01	Q	502 17 02-01	S	503 20 09-20	E	503 78 32-01	L
501 46 84-01	Q	502 17 05-01	S	503 20 25-12	D	503 79 00-02	L
501 46 87-01	Q	502 17 15-01	S	503 20 25-20	L	503 79 41-01	P
501 48 54-02	L	502 17 50-05	N N	503 21 06-32	C	503 79 88-01	S
501 53 16-01	L	502 19 71-01	B	503 21 07-22	NP	503 80 56-01	R N
501 60 02-03	S N	502 19 92-01	P	503 21 07-50	K	503 82 80-05	C N
501 66 61-01	Q	502 19 94-01	P	503 21 82-04	D N	503 89 67-01	Q N
501 66 78-01	Q	502 20 21-01	D	503 22 10-11	L	503 90 12-01	L
501 68 89-01	S	502 20 38-01	P	503 22 10-12	B	503 90 27-01	R N
501 69 17-01	S	502 20 41-01	M	503 22 20-05	D	503 90 29-01	R N
501 76 31-01	M	502 20 42-01	M	503 22 65-04	NP	503 90 32-01	R N
501 76 83-23	K	502 20 43-01	M	503 23 00-10	D	503 90 33-01	R N
501 77 00-02	K	502 20 68-01	C	503 23 00-11	N	503 90 34-01	R N
501 81 99-03	L	502 20 85-06	P N	503 23 00-35	M	503 91 60-01	S
502 02 00-02	S	502 20 86-06	P N	503 23 00-42	L	503 97 40-01	R N
502 02 00-03	S	502 21 07-16	S	503 23 00-62	B	503 97 43-01	R N
502 02 01-01	S	502 21 12-01	P	503 23 01-01	L	503 97 64-01	S
502 02 06-01	S	502 21 26-25	E N	503 23 51-08	L	503 99 41-01	R N
502 02 27-01	S	502 21 26-26	E N	503 23 51-11	L	503 99 43-01	R N
502 02 28-01	S	502 21 26-27	E N	503 28 13-20	KQ	503 99 75-01	B
502 02 29-02	S	502 21 58-01	S	503 28 31-09	KR N	503 99 76-01	B
502 02 30-02	S	502 22 15-01	B	503 28 90-03	F	504 13 08-07	Q
502 02 38-01	S	502 22 16-01	B	503 28 90-05	F	504 13 09-06	Q
502 02 61-02	S	502 22 23-01	A	503 44 08-02	F	504 18 44-01	H
502 03 10-03	A	502 22 26-01	A	503 44 10-01	F	504 21 00-16	H
502 03 55-02	S	502 22 38-01	N	503 44 32-01	K	504 21 00-49	Q
502 03 94-03	S	502 22 53-01	B	503 47 86-01	R N	504 21 00-50	Q
502 04 55-01	A	502 22 67-01	A	503 47 88-01	R N	504 35 09-05	Q
502 06 28-01	N	502 22 68-01	A	503 47 89-01	R N	504 35 09-15	Q N
502 10 21-01	Q	502 23 02-01	G	503 47 90-01	R N	505 27 57-19	Q
502 10 30-01	Q	502 26 23-01	S	503 47 91-01	R N	505 27 75-16	L
502 10 31-01	Q	502 26 34-01	S	503 47 92-01	R N	505 30 51-25	M
502 10 32-01	Q	502 26 89-01	A	503 47 94-01	R N	505 31 07-51	K
502 11 06-02	M	502 26 89-01	A N	503 47 95-01	R N	505 31 67-17	Q
502 11 07-03	J	502 26 93-01	A	503 47 96-01	R N	505 31 67-54	Q
502 11 20-02	K	502 26 95-01	A N	503 47 97-01	R N	505 31 67-82	Q
502 11 22-03	D	502 27 22-01	S	503 47 99-01	R N	505 52 01-10	Q
502 11 23-01	D	502 27 25-01	A	503 48 00-01	R N	505 52 01-25	Q
502 11 24-02	D	502 27 28-01	A	503 48 01-01	R N	505 52 01-27	Q
502 11 25-02	D	502 27 33-03	S N	503 48 02-01	R N	506 01 06-07	F
502 11 38-01	C	502 27 63-01	P	503 48 03-01	R N	506 01 32-02	K
502 11 39-02	K	502 27 64-01	P	503 48 05-01	R N	506 01 64-01	M
502 11 44-01	Q	502 27 92-01	P	503 48 09-01	R N	506 02 80-01	Q
502 11 45-01	E	502 27 92-03	N	503 48 10-01	R N	531 00 60-76	S N
502 11 45-02	E N	502 27 93-01	P	503 48 13-01	R N	537 00 76-01	B
502 11 46-02	S	502 28 06-11	P N	503 48 14-01	R N	537 01 40-01	A N
502 11 51-04	C	502 28 21-01	P	503 48 15-01	R N	537 01 40-02	A N
502 11 52-01	H	502 28 24-01	C	503 48 16-01	R N	537 02 76-02	A
502 11 53-02	M N	502 28 26-01	P	503 48 17-01	R N	537 06 71-01	N
502 11 57-03	K	502 28 33-03	N N	503 48 18-01	R N	537 06 72-01	N
502 11 58-01	K	502 28 34-02	N	503 48 19-01	R N	537 11 35-01	S N
502 11 59-03	A N	502 28 35-02	N N	503 48 21-01	R N	720 12 12-20	N
502 11 77-01	H	502 28 36-03	N N	503 48 90-01	F	725 23 82-85	P
502 11 79-06	P N	502 28 37-05	N N	503 54 39-01	M	729 24 12-01	M
502 11 94-01	Q	502 28 44-01	N	503 56 34-01	Q	729 52 52-75	N
502 11 96-01	Q	502 28 55-01	A	503 57 02-01	Q	735 31 09-20	S
502 11 97-01	Q	502 28 56-01	A	503 57 38-06	G N	735 31 17-00	A
502 12 02-03	A	502 28 57-02	A	503 57 42-01	Q	737 44 10-00	F
502 12 02-05	A	502 28 60-08	N	503 57 89-01	C	738 21 02-00	A
502 12 23-08	E N	502 28 62-01	A	503 61 23-01	Q	738 21 02-04	A
502 12 56-02	D	503 10 47-01	Q	503 61 24-01	Q	738 22 02-15	G
502 14 43-05	N N	503 10 87-01	Q	503 62 52-01	Q	738 22 03-25	A
502 14 44-01	N	503 17 31-02	H	503 66 59-01	R N	740 42 21-00	A N
502 14 47-01	N	503 20 02-16	AKM	503 71 02-03	L	740 42 24-00	A
502 14 50-04	N	503 20 02-20	H	503 71 82-01	P	740 44 08-00	A N
502 14 51-02	NP	503 20 02-25	HP	503 73 45-01	B		
502 16 00-01	C	503 20 02-30	A	503 73 81-01	R N		

N = New part
 Neues teil
 Nouvelle piece
 Nueva pieza
 Ny detalj