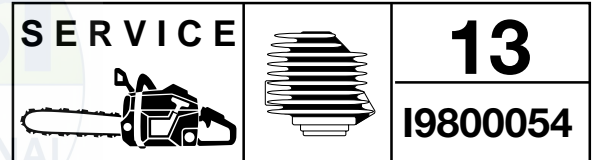


For Husqvarna Parts Call 606-678-9623 or 606-561-4983



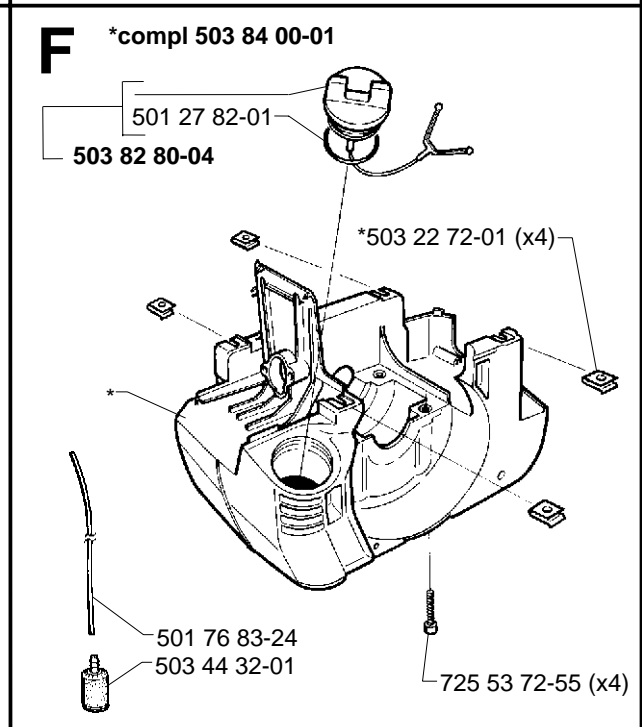
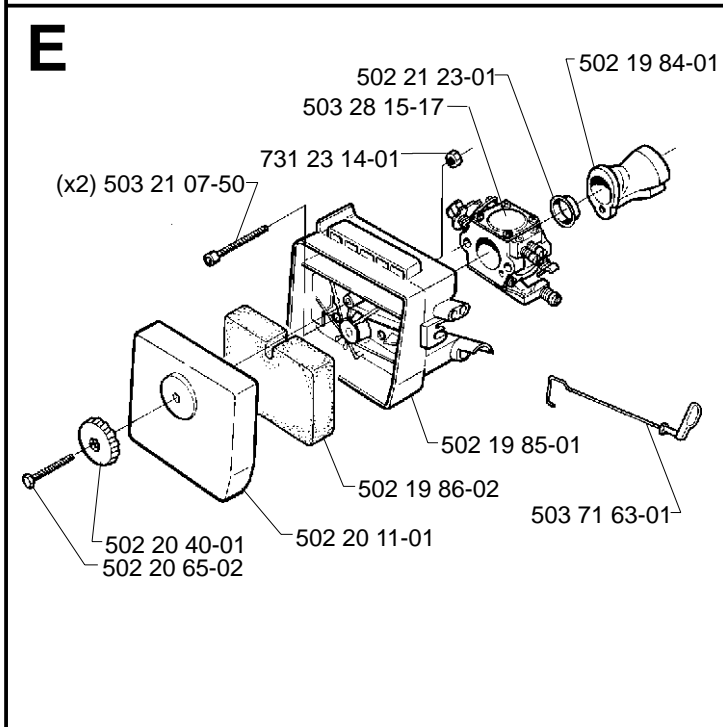
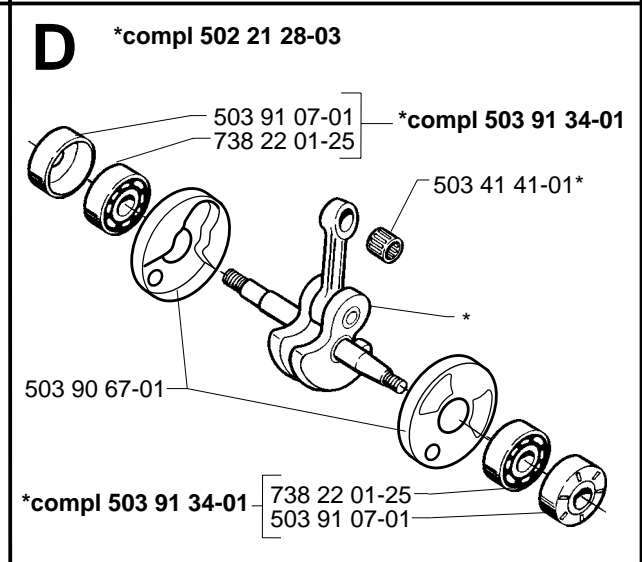
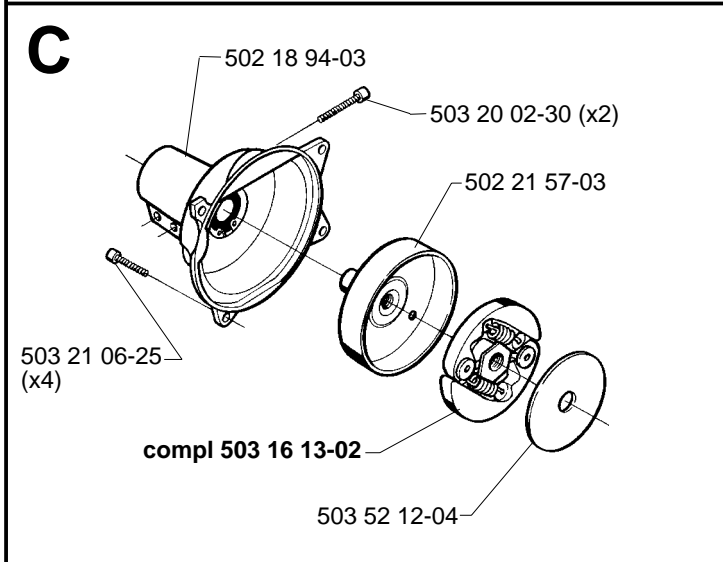
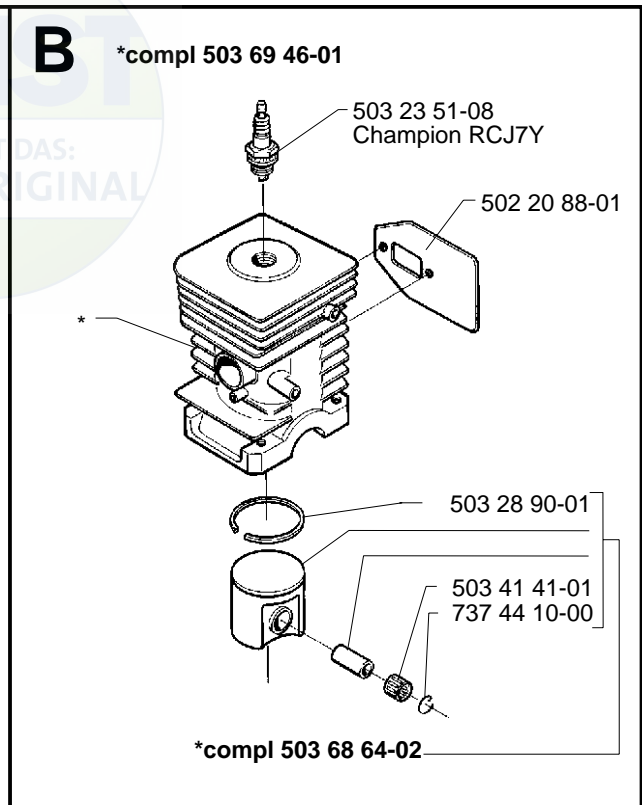
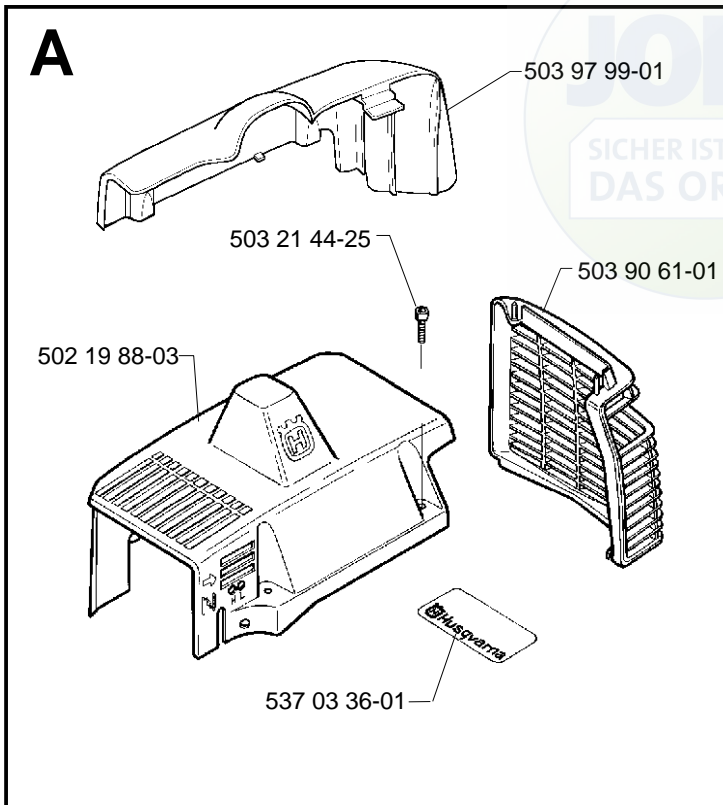
IPL, 240 L, 1998-I I, 106 25 52-61

240 L

Spare parts
Ersatzteile
Pièces détachées
Reserve onderdelen
Repuestos
Reservdelar

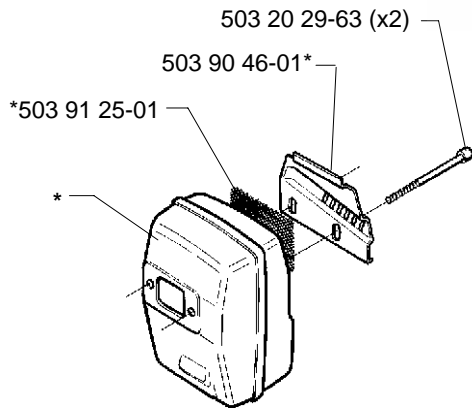
For Husqvarna Parts Call 606-678-9623 or 606-561-4983

PART NUMBER	SQUARE	NOTE	PART NUMBER	SQUARE	NOTE	PART NUMBER	SQUARE	NOTE	PART NUMBER	SQUARE	NOTE
501 27 82-01	F		503 57 42-01	M		505 31 67-17	M				
501 46 69-01	M		503 68 64-02	B		505 31 67-45	M				
501 46 84-01	M		503 69 46-01	B		505 31 67-54	M				
501 46 85-01	M		503 69 63-01	H		505 31 67-82	M				
501 46 87-01	M		503 69 67-01	H		505 52 01-10	M				
501 48 54-02	J		503 70 07-01	H		505 52 01-25	M				
501 60 02-02	N		503 70 29-02	H		505 52 01-27	M				
501 66 61-01	M		503 70 55-01	H		506 02 81-01	M				
501 66 78-01	M		503 71 43-01	L		530 03 51-73	M				
501 76 83-24	F		503 71 48-01	H		537 00 84-01	K				
502 02 61-01	N		503 71 63-01	E		537 02 76-01	L				
502 10 30-01	M		503 71 82-01	L		537 03 36-01	A	N			
502 10 31-01	M		503 72 12-01	L		725 23 81-51	L				
502 11 46-02	N		503 72 13-01	L		725 53 72-55	F				
502 18 94-03	C		503 72 14-01	L		731 23 14-01	EL				
502 18 95-01	K		503 72 15-01	L		735 31 11-00	H				
502 19 63-01	K		503 72 18-01	L		735 31 25-10	H				
502 19 71-01	L		503 72 24-01	L		735 31 31-10	H				
502 19 84-01	E		503 72 25-01	L		737 44 10-00	B				
502 19 85-01	E		503 72 29-01	L		738 21 99-00	H				
502 19 86-02	E		503 73 42-01	L		738 22 01-19	H				
502 19 88-03	A	N	503 73 43-01	L		738 22 01-25	D				
502 20 06-01	K		503 73 45-01	L							
502 20 11-01	E		503 74 16-01	N							
502 20 32-03	L	N	503 74 16-02	N							
502 20 40-01	E		503 74 29-01	N							
502 20 49-01	L		503 74 50-04	N							
502 20 65-02	E		503 75 00-01	L							
502 20 88-01	B		503 75 34-01	H							
502 20-38-01	L		503 77 53-01	K							
502 21 23-01	E		503 77 63-01	N							
502 21 25-33	K		503 78 02-03	L							
502 21 28-03	D		503 78 04-03	L							
502 21 32-01	M		503 78 05-03	L							
502 21 33-01	M		503 79 05-01	J							
502 21 35-01	M		503 79 06-01	J							
502 21 37-01	M		503 79 41-01	L							
502 21 57-03	C		503 79 94-01	N							
502 21 58-01	N		503 81 24-01	J							
502 21 60-01	N		503 81 29-01	J							
502 21 92-04	H	N	503 82 80-04	F							
502 51 27-01	N		503 84 00-01	F							
503 10 47-01	M		503 85 32-01	H							
503 10 87-01	M		503 86 58-01	J	N						
503 11 70-01	M		503 88 95-01	L							
503 16 13-02	C		503 89 67-01	M							
503 20 02-20	H		503 90 46-01	G							
503 20 02-25	HL		503 90 47-01	G							
503 20 02-30	C		503 90 61-01	A							
503 20 25-16	J		503 90 67-01	D							
503 20 29-63	G		503 91 07-01	D							
503 21 06-16	K		503 91 25-01	G							
503 21 06-25	CK		503 91 34-01	D							
503 21 07-16	N		503 91 39-01	M							
503 21 07-22	L		503 91 40-01	M							
503 21 07-50	E		503 91 51-01	M							
503 21 29-06	K		503 91 54-01	M							
503 21 44-25	A	N	503 91 57-01	M							
503 22 10-11	J		503 91 58-01	M							
503 22 72-01	F		503 92 23-01	M							
503 23 00-35	K		503 97 99-01	A	N						
503 23 01-01	J		503 99 44-01	M							
503 23 51-08	B		503 99 45-01	M							
503 24 44-01	J		503 99 46-01	M							
503 28 15-17	EM		503 99 47-01	M							
503 28 90-01	B		504 13 08-07	M							
503 41 41-01	BD		504 13 09-06	M							
503 44 32-01	F		504 21 00-49	M							
503 52 12-04	C		504 21 00-50	M							
503 52 42-01	M		505 30 51-25	K							



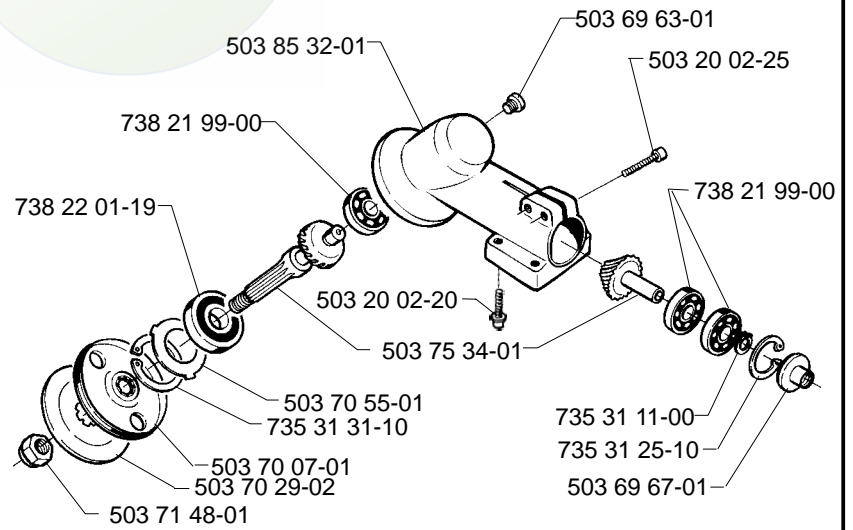
G

*compl 503 90 47-01



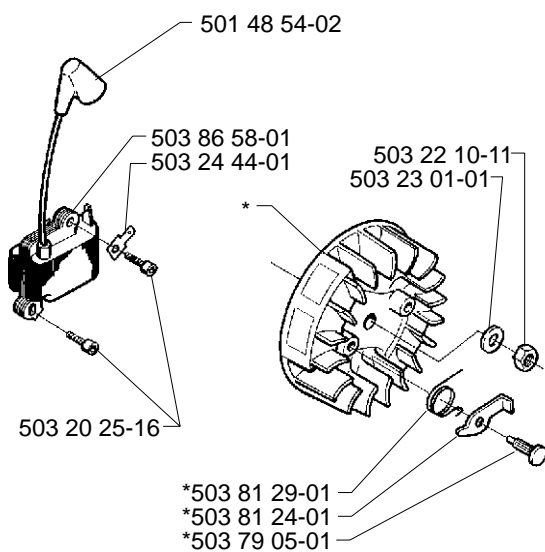
H

compl 502 21 92-04



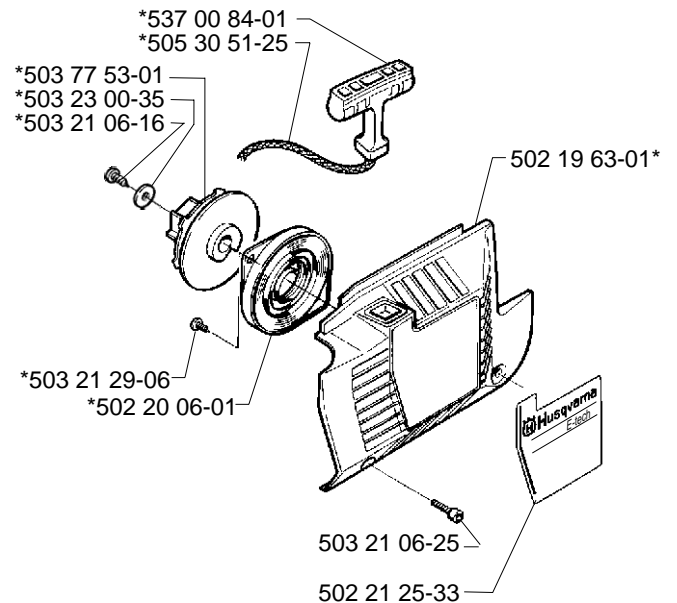
J

*compl 503 79 06-01

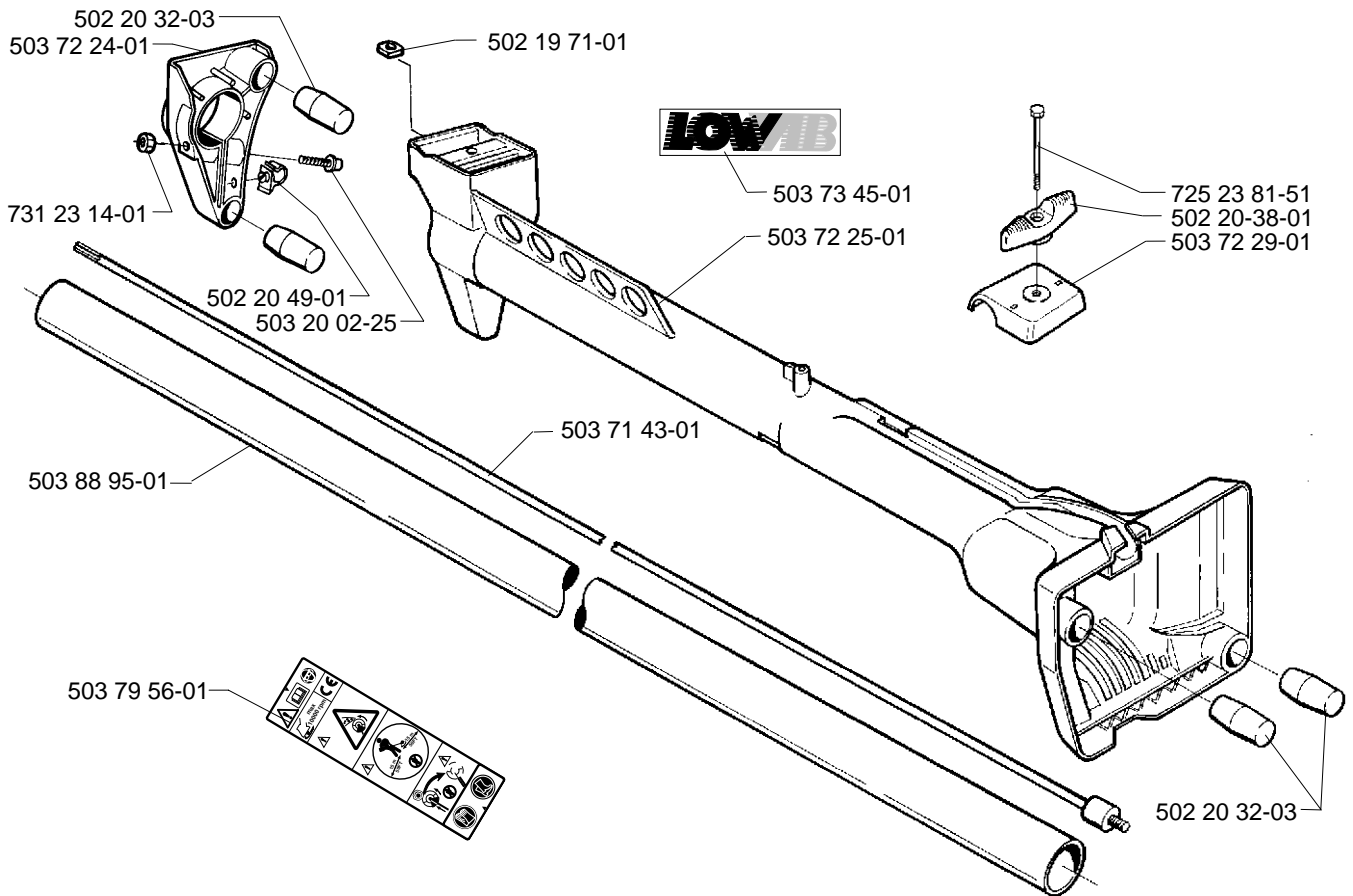
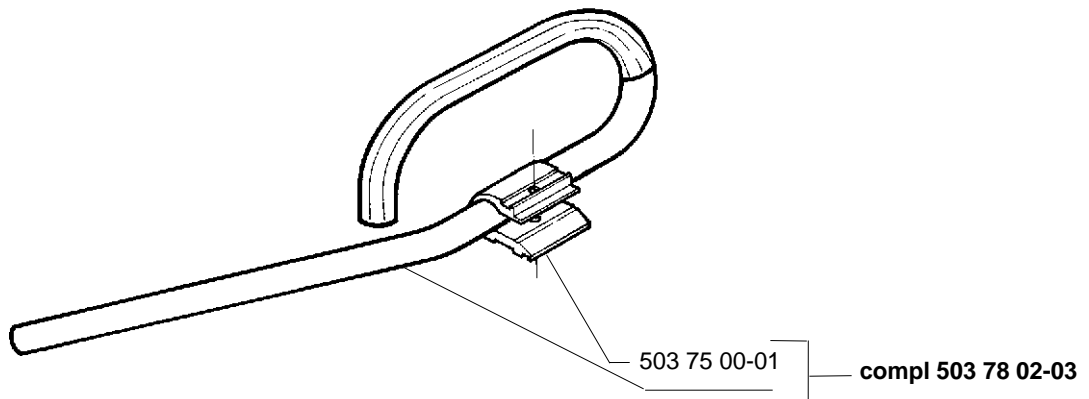
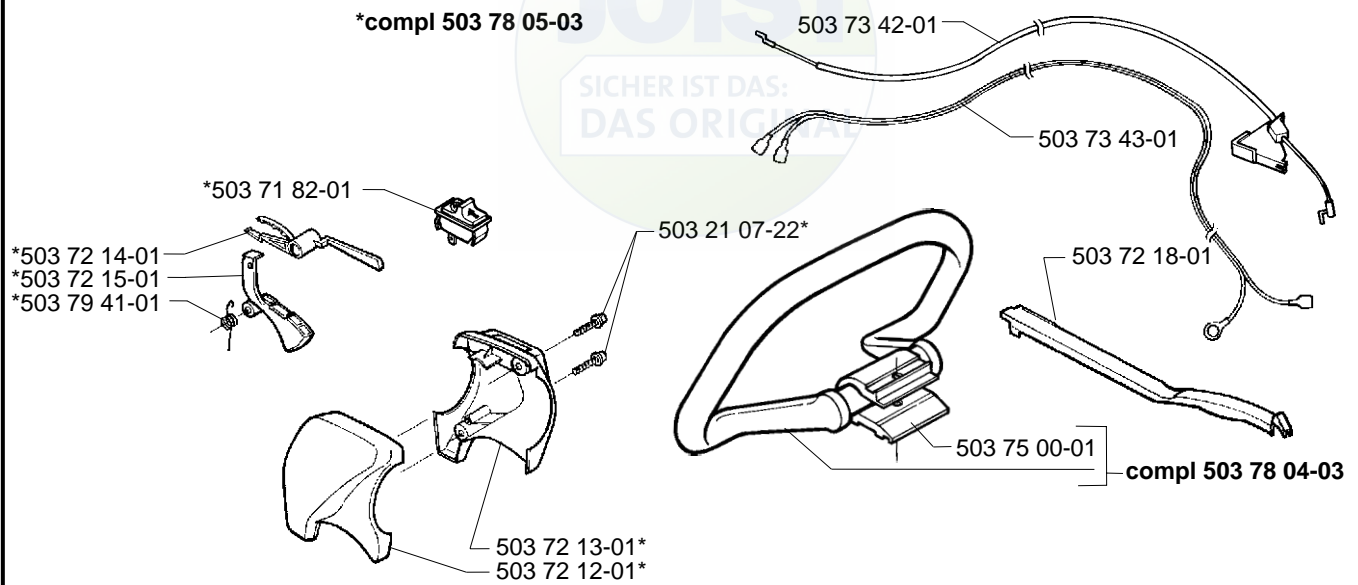


K

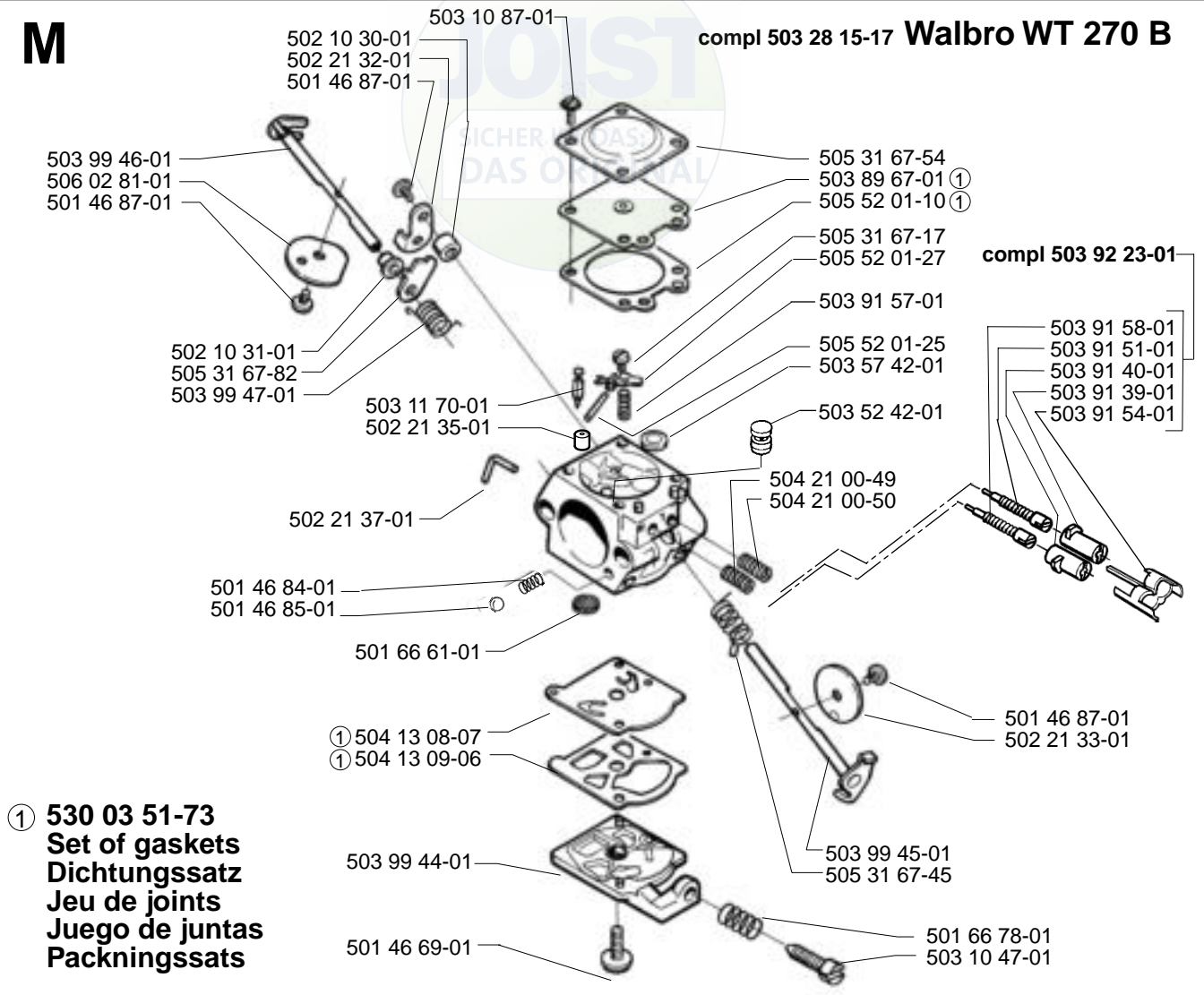
*compl 502 18 95-01



L



M



N

Accessories
Zubehöre
Accessoires
Acessorios
Tillbehör

