

235, 235e 240, 240e

Spare parts

Ersatzteile

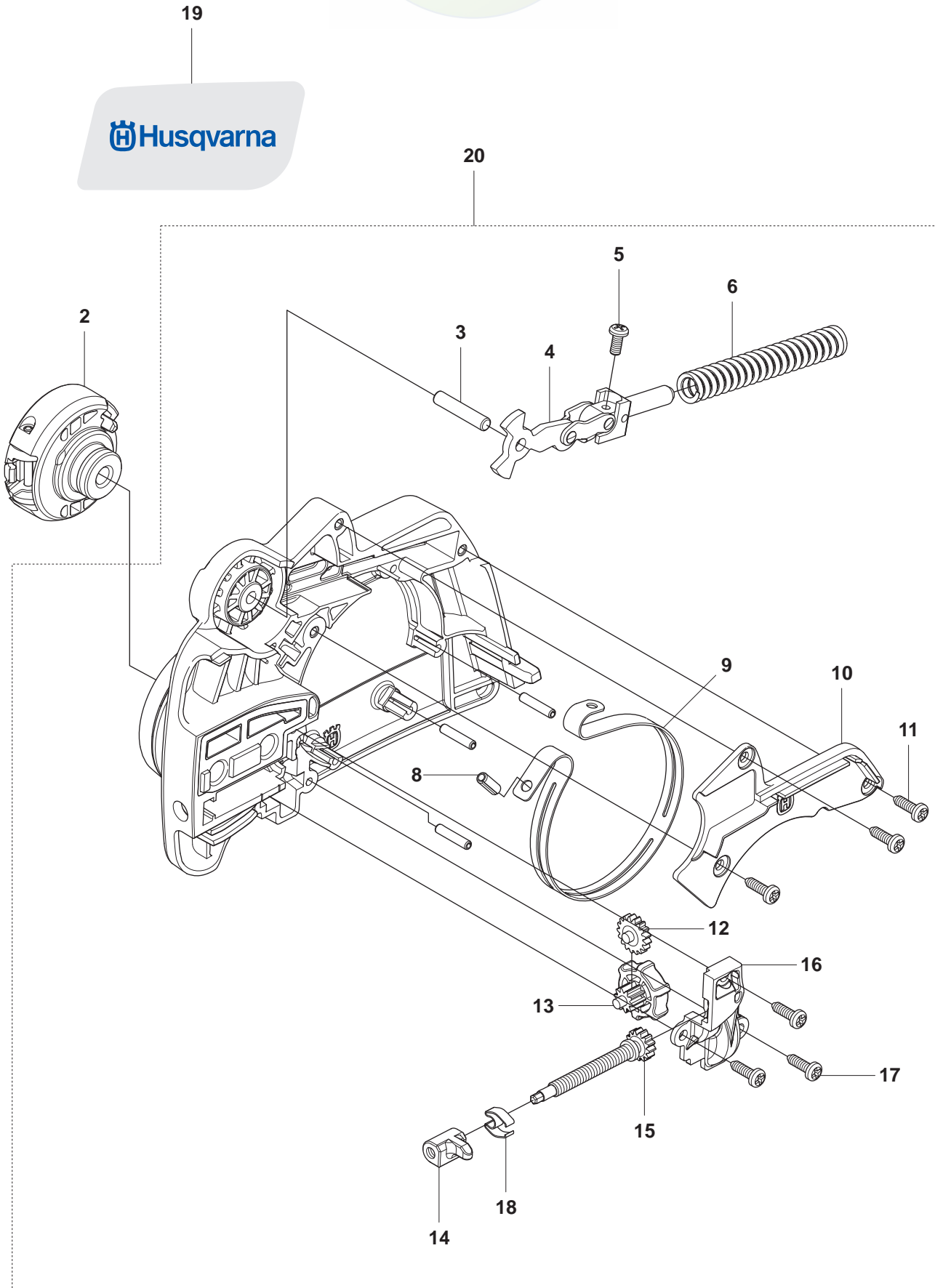
Pièces détachées

Reserve onderdelen

Repuestos

Reservdelar

A 235e, 240e





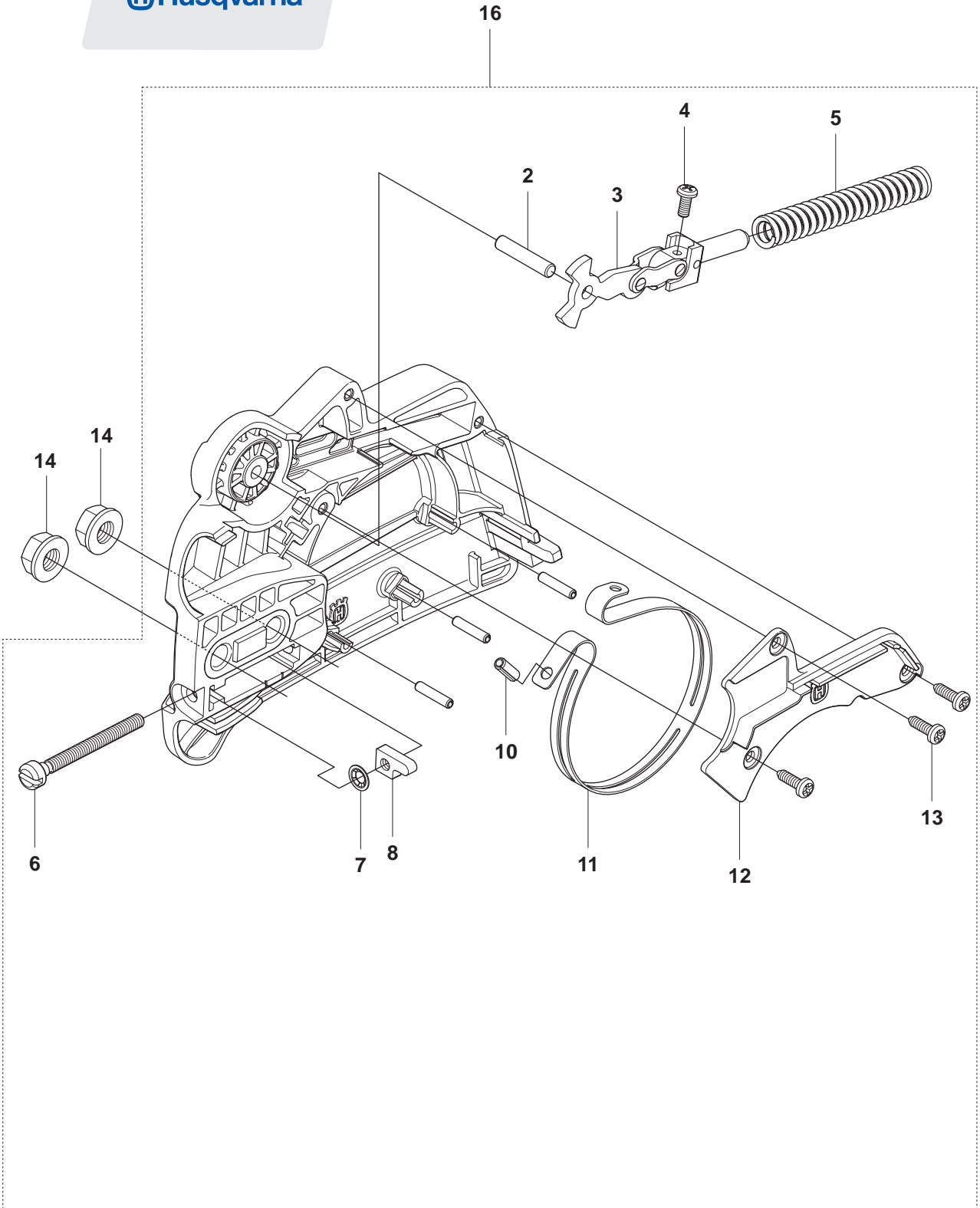
Page A

235e, 240e

CHAIN BRAKE ASSY 545 071101

Pos.	Description	Compl No. (pos no.)	Part No.	Qty	Notes
2	ASSEMBLY KNOB EZT		545-146401	1	
3	PIN, DOWEL	20	530-057950	1	
4	ASSY, FRONT LINK	20	530-057940	1	
5	M3.83 X 1.81 X 9 PLASTITE	20	530-015911	1	
6	SPRING COMPRESSION	20	530-016415	1	
8	PIN, BAND RETAINER	20	530-015913	1	
9	BRAKE BAND	20	530-057923	1	
10	COVER, BRAKE BAND	20	545-071001	1	
11	SCP#6-19 X .437 .PL. PAN.	20	530-016064	3	
12	GEAR, IDLER	20	545-060201	1	
13	WHEEL, GEAR ADJUSTER	20	545-090502	1	
14	PIN, BAR ADJUSTING	20	545-060501	1	
15	ASSY ADJUSTER SCREW	20	545-065901	1	
16	COVER, GEAR	20	545-059201	1	
17	SCP#6-19 X .437 .PL. PAN.	20	530-016064	3	
18	CLIP, EZT SPRING	20	545-149301	1	
19	DECAL, EZT CLUTCH COVER		545-118601	1	
20	CHAIN BRAKE ASSEMBLY		545-071101	1	INCL. 3-6, 8-18

B 235, 240



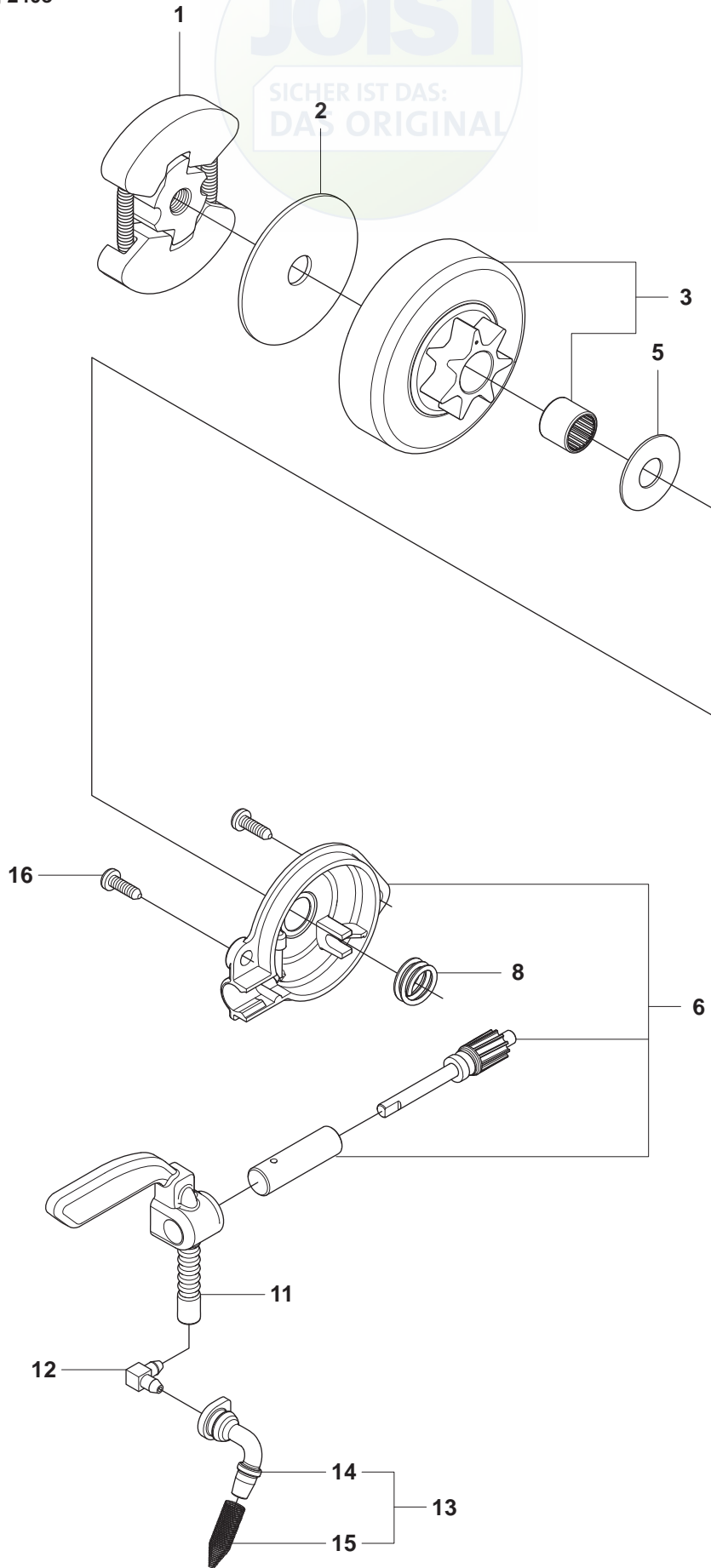
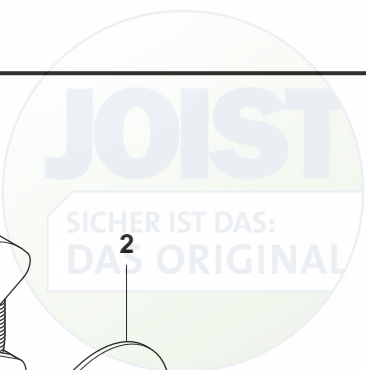


Page B
235/240

CHAIN BRAKE ASSY 545 07 11-03

Pos.	Description	Compl No. (pos no.)	Part No.	Qty	Notes
2	PIN, DOWEL	16	530-057950	1	
3	ASSY, FRONT LINK	16	530-057940	1	
4	M3.83 X 1.81 X 9 PLASTITE	16	530-015911	1	
5	SPRING COMPRESSION	16	530-016415	1	
6	SCREW BAR ADJUSTING	16	530-016110	1	
7	RETAINER PUSH NUT	16	530-038593	1	
8	PIN BAR ADJUST	16	530-015826	1	
10	PIN, BAND RETAINER	16	530-015913	1	
11	BRAKE BAND	16	530-057923	1	
12	COVER, BRAKE BAND	16	545-071001	1	
13	SCP#6-19 X .437 .PL. PAN.	16	530-016064	3	
14	NUT, BAR MTG		530015917	2	
15	DECAL		545-118701	1	
16	CHAIN BRAKE ASS'Y FRT ADJ		545-071103	1	INCL. 2-13

C 235, 235e/240, 240e



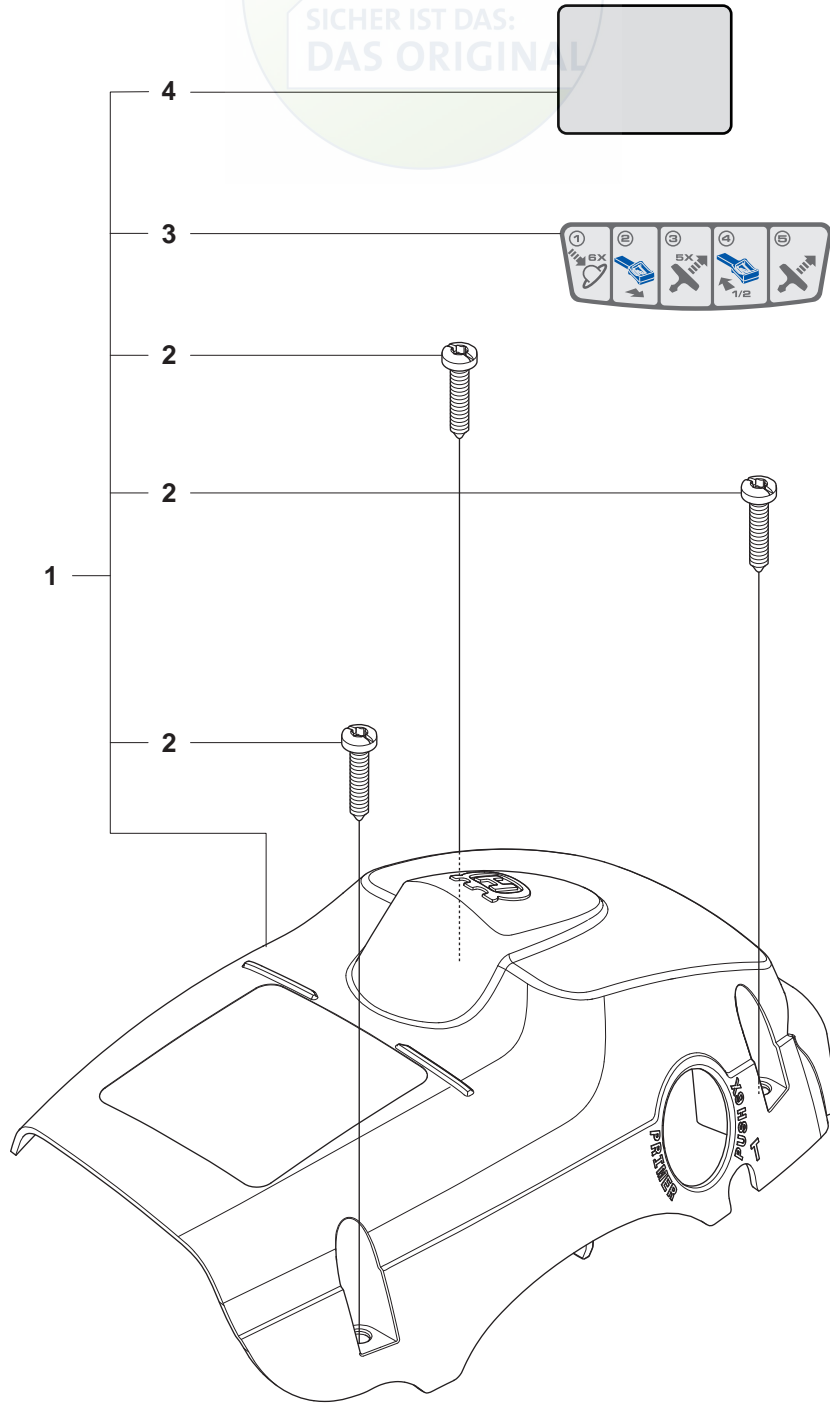


Page C
235/235e/240/240e
CLUTCH AND OIL PUMP

Pos.	Description	Compl No. (pos no.)	Part No.	Qty	Notes
1	ASSY- CLUTCH		530-014949	1	
2	WASHER, CLUTCH (LARGE)		530-015611	1	
3	3/8-6 TOOTH DRUM ASEMBLY		530-047061	1	
3	.325-7 TOOTH DRUM ASEMBLY		530-048132	1	
5	WASHER, THRUST		530-015907	1	
6	ASSEMBLY OIL PUMP		545-069301	1	
8	GEAR- WORM		530-037820	1	
11	OIL BLOCK		545-069201	1	
12	ELBOW FITTING		530-049477	1	
13	PICK UP ASSEMBLY OIL TANK		545-069501	1	INCL 14,15
14	PICK-UP SEAL	13	545-069401	1	
15	SPRING, FILTER	13	530-056533	1	
16	SCP#6-19 X .437 .PL. PAN.		530-016064	2	

D

235, 235e/240, 240e



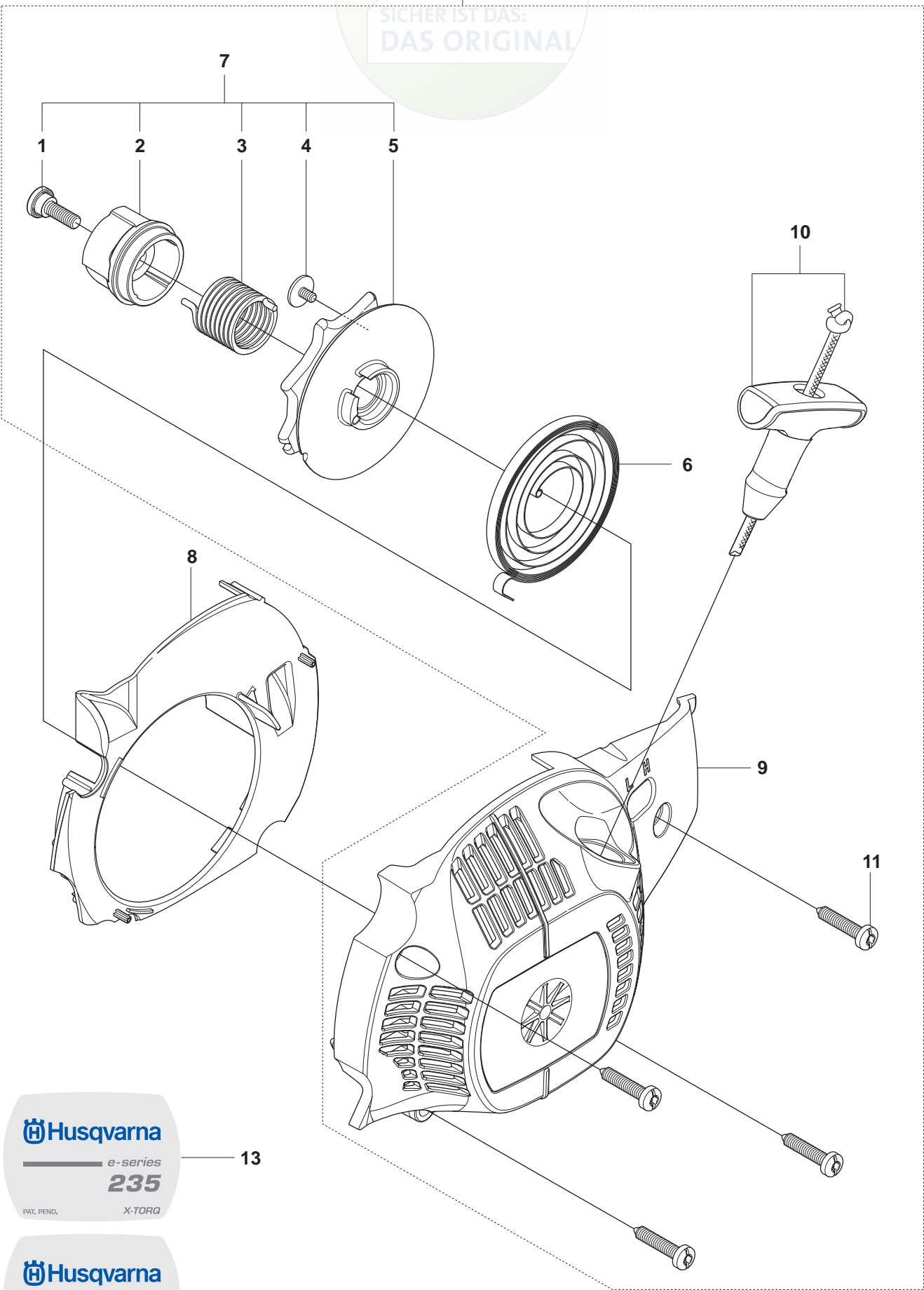


Page D
235/235e/240/240e
COVER

Pos.	Description	Compl No. (pos no.)	Part No.	Qty	Notes
1	KIT CYLINDER SHIELD		545-180804	1	INCL 2, 3, 4
2	SCREW, CYLINDER SHIELD	1	545-070001	3	
3	DECAL, STARTING INSTRUCTION	1	545-116502	1	
4	GLOBAL WARNING DECAL	1	545-165957	1	

E1

235e, 240e



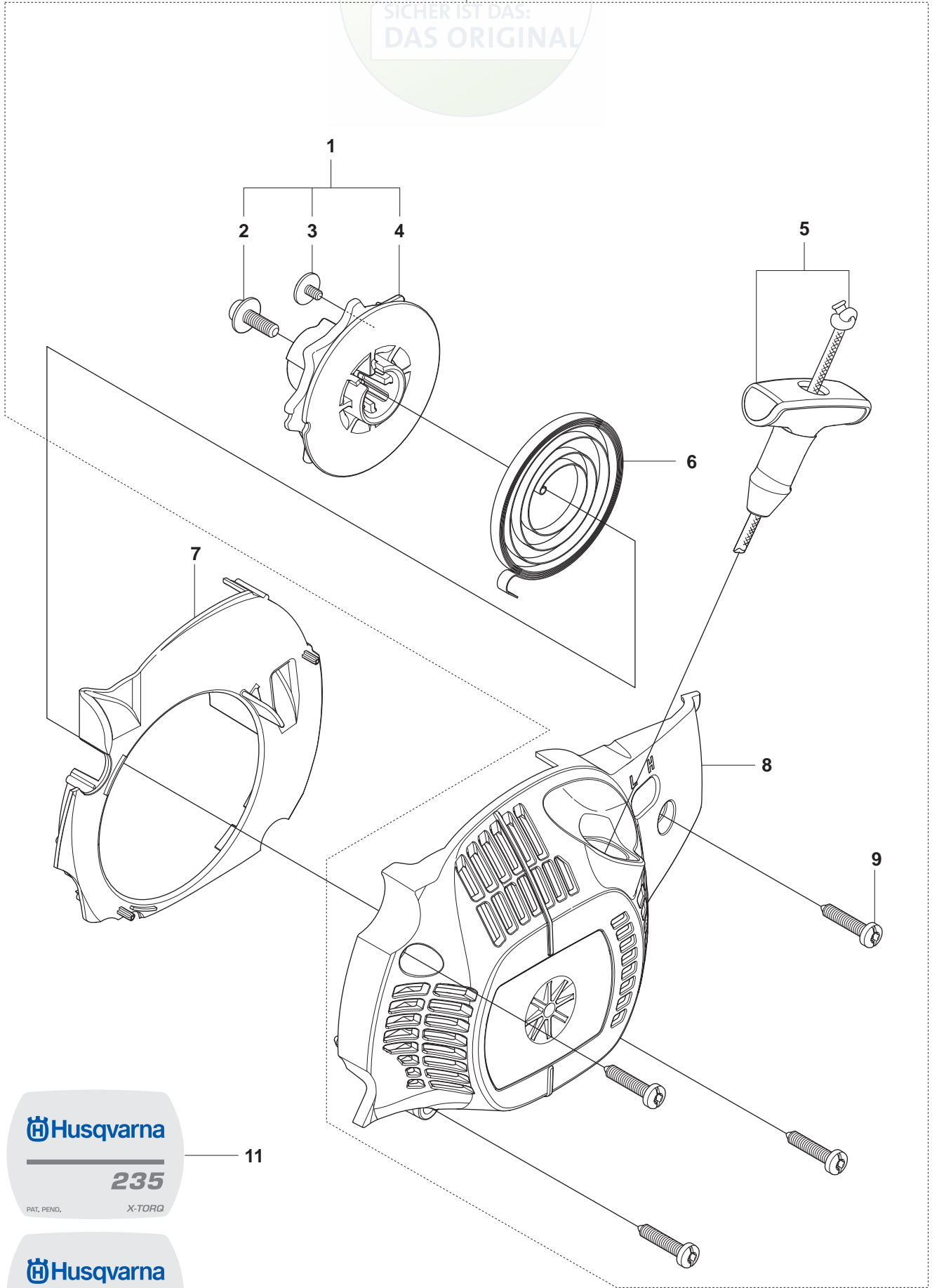
Husqvarna
e-series
235
PAT. PEND. X-TORQ

Husqvarna
e-series
240
PAT. PEND. X-TORQ



Page E1
235e/240e
EPS STARTER

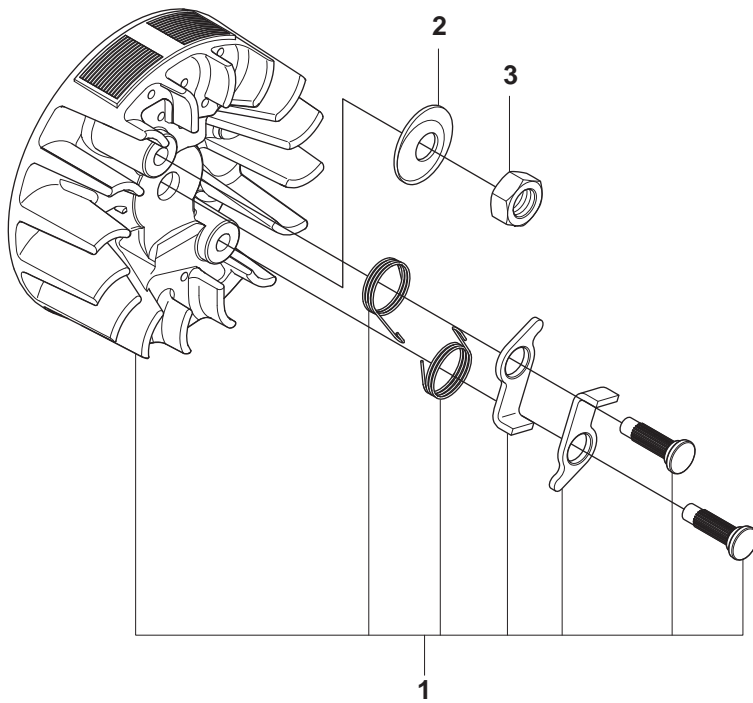
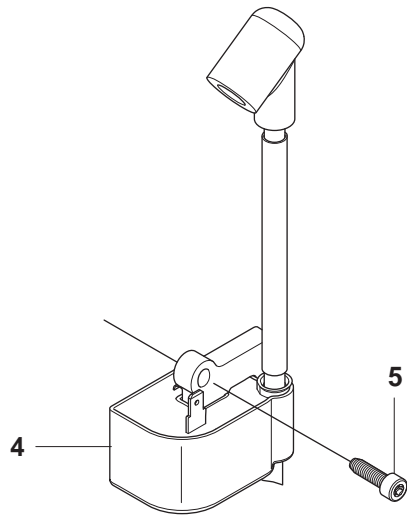
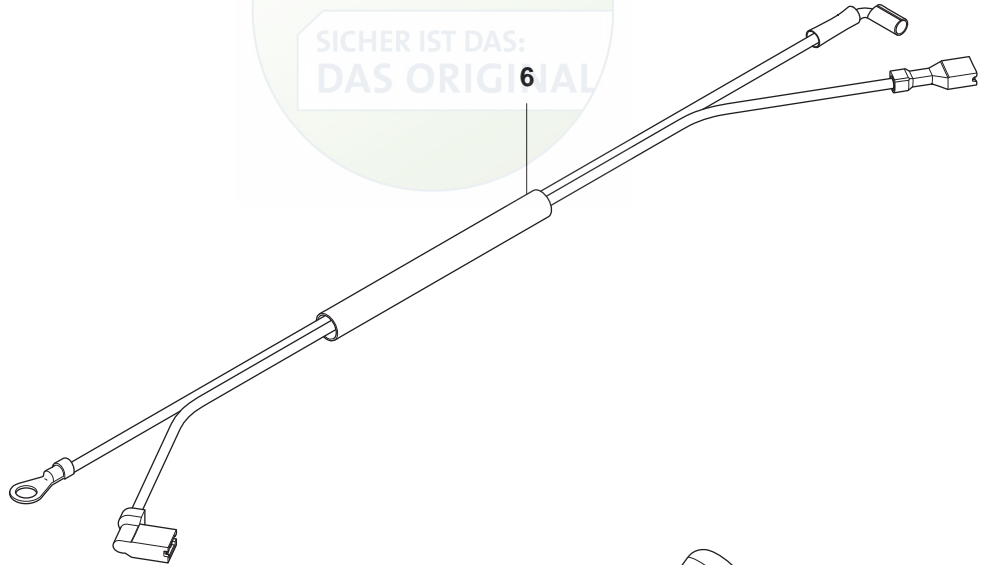
Pos.	Description	Compl No. (pos no.)	Part No.	Qty	Notes
1	SCREW SHOULDER	7,12	530-021179	1	
2	STARTER HUB EPS	7,12	530-059677	1	
3	SPRING EPS	7,12	530-021180	1	
4	SCREW, ROPE RETAINER	7,12	530-016080	1	
5	PULLEY- STARTER EPS	7,12	545-058201	1	
6	SPRING- RECOIL	12	530-042095	1	
7	KIT, EPS STARTER 235e/240e	12	530-071966	0	INCL. 1,2,3,4,5
8	BAFFLE		545-063801	1	
9	FAN HOUSING	12	545-063701	1	
10	HANDLE & ROPE assy	12	545-010010	1	
11	SCREW, FAN HOUSING	12	530-016432	4	
12	KIT, COMPLETE EPS 235e/240e		545-008024	0	INCL. 1,2,3,4,5,6,8,9,10,11
13	DECAL 235e		545-118502	1	
14	DECAL 240e		545-118501	1	





Page E2
235/240
STANDARD STARTER

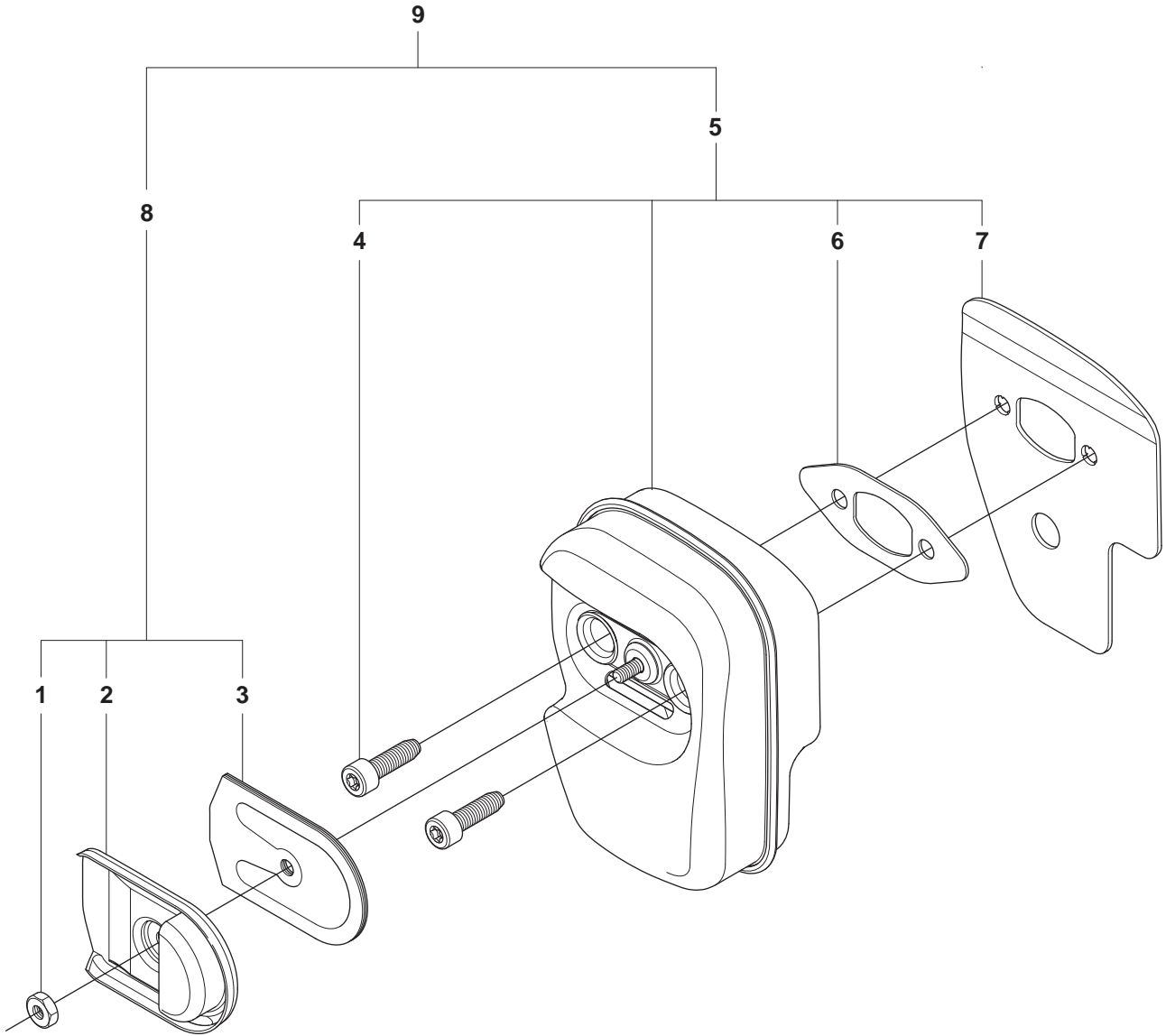
Pos.	Description	Compl No. (pos no.)	Part No.	Qty	Notes
1	KIT, STD STARTER 235,240		545-008028		INCL. 1,2,3
2	SCREW SHOULDER	1,10	530-015920	1	
3	SCREW, ROPE RETAINER	1,10	530-016080	1	
4	PULLEY- STARTER STANDARD	1,10	530-057890	1	
5	HANDLE & ROPE ASSY	10	545-010010	1	
6	SPRING- RECOIL	10	530-042095	1	
7	BAFFLE		545-063801	1	
8	FAN HOUSING	10	545-063701	1	
9	SCREW, FAN HOUSING	10	530-016432	4	
10	KIT COMPLETE 235/240		545-008025		INCL 2,3,4,5,6,8,9
11	DECAL 235		545-118503	1	
12	DECAL 240		545-165947		





Page F
235/235e/240/240e
IGNITION SYSTEM

Pos.	Description	Compl No. (pos no.)	Part No.	Qty	Notes
1	FLYWHEEL ASSY		530-039147	1	
2	WASHER, FLYWHEEL		530-015127	1	
3	NUT, FLYWHEEL		530-016134	1	
4	MODULE- IGNITION		530-039143	1	
5	SCREW, IGN MODULE		545-121901	2	
6	ASSY- WIRE HARNESS		545-079901	1	



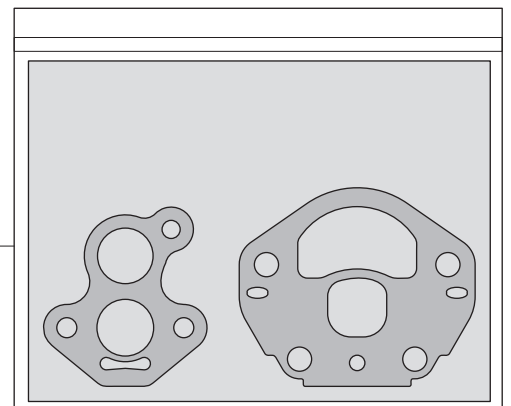
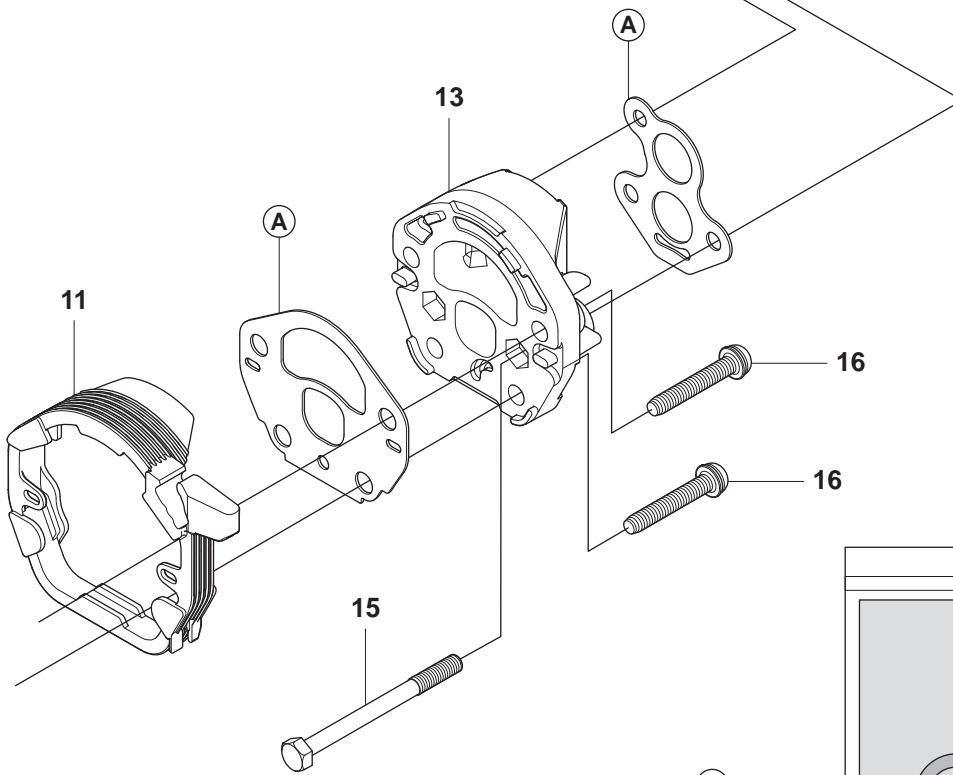
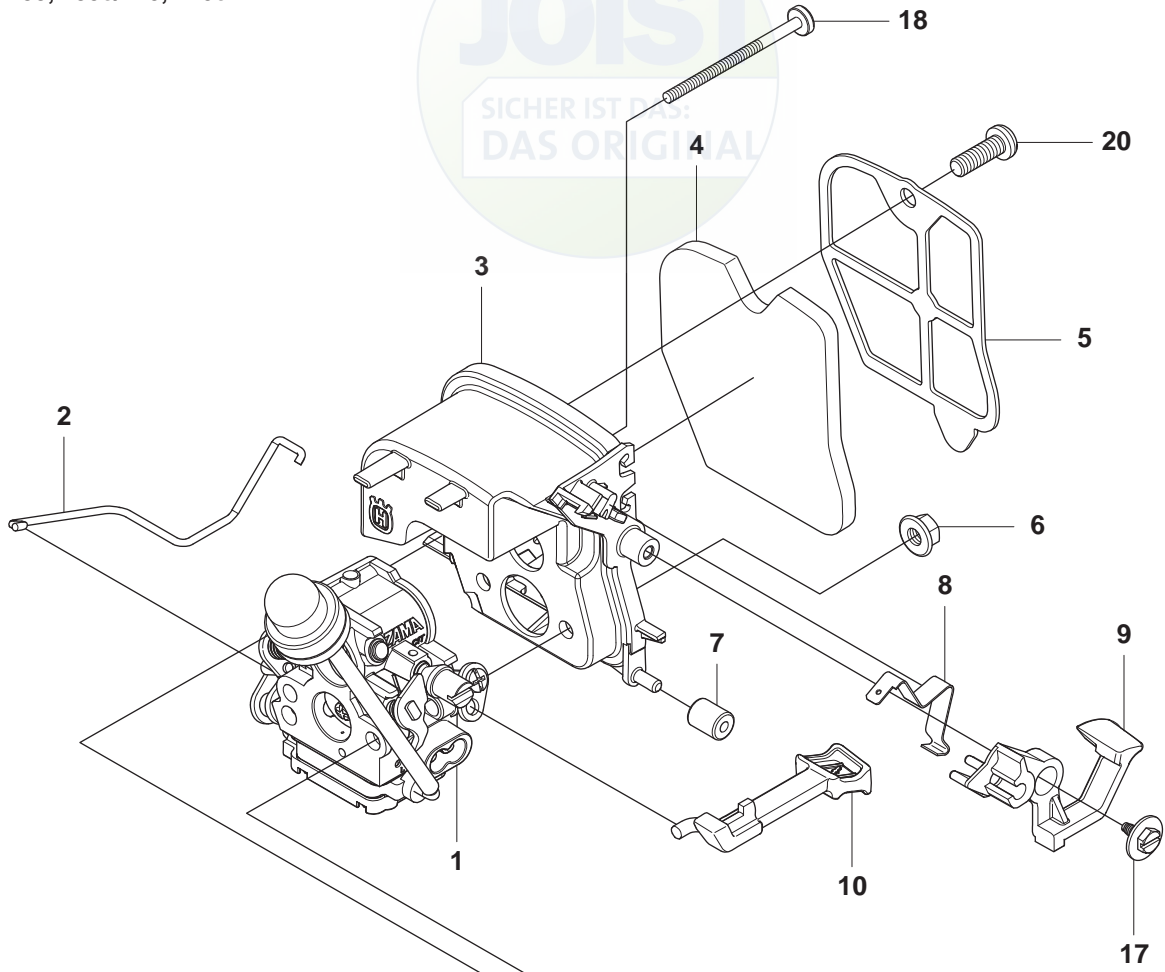
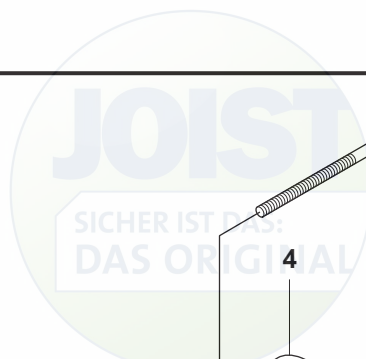


Page G
235/235e/240/240e
MUFFLER

Pos.	Description	Compl No. (pos no.)	Part No.	Qty	Notes
1	NUT, #10-24 BRASS	8,9	530-016359	1	
2	EXHAUST PLATE	8,9	545-076901	1	
3	SCREEN-ARRESTOR, GASKET	8,9	545-167401	1	
4	MUFFLER BOLT	5,9	530-016338	2	
5	MUFFLER ASSEMBLY	9	545-032701	1	INCL. 4, 6, 7
6	MUFFLER GASKET	5,9	530-054884	1	
7	MUFFLER BACK PLATE	5,9	545-066901	1	
8	KIT SPART ARRESTOR	9	545-008027	0	INCL. 1,2,3
9	KIT MUFFLER COMPLETE		545-180843	1	INCL. 5, 8

H

235, 235e/240, 240e





Page H

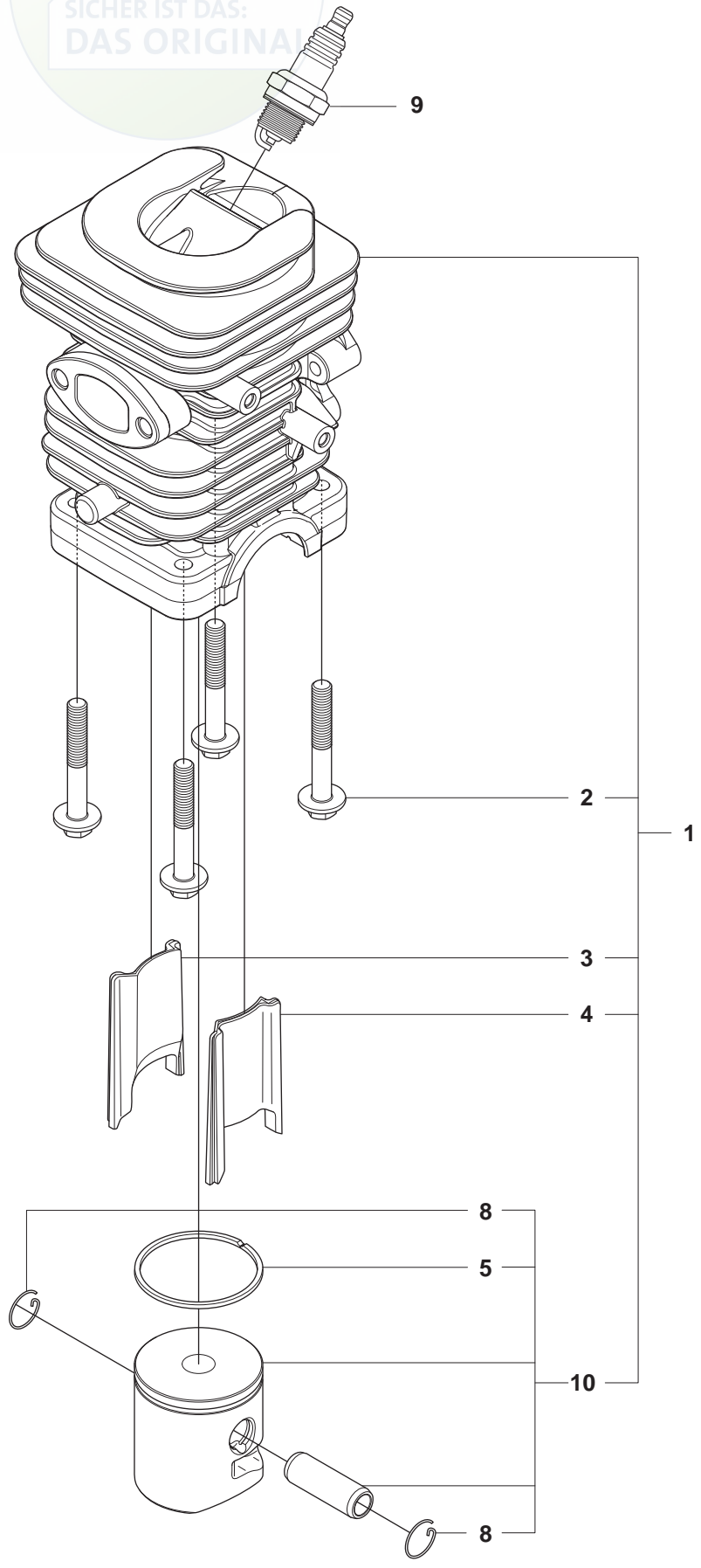
235/235e/240/240e

CARBURETOR AND AIR FILTER

Pos.	Description	Compl No. (pos no.)	Part No.	Qty	Notes
1	CARBURETOR (ZAMA) - REF.		545-072601	1	
2	THROTTLE WIRE		545-062801	1	
3	FILTER HOUSING		545-062101	1	
4	AIR FILTER		545-061801	1	
5	FILTER PLATE		545-151801	1	
6	NUT, CARB		530-016101	2	
7	ISOLATOR FILTER HOUSING		545-061901	1	
8	SWITCH, SPRING		545-063401	1	
9	SWITCH LEVER		545-061701	1	
10	CHOKE KNOB		545-061601	1	
11	CARB ADAPTOR SEAL		545-061501	1	
13	CARB ADAPTOR		545-061401	1	
15	STUD-CARBURETOR		545-033701	2	
16	CARB ADAPTOR SCREW		545-158301	4	
17	SCREW SWITCH		530-016080	1	
18	TOP STUD-CARBURETOR		545-074901	1	
19	GASKET KIT		545-081892	1	INCL 12,14
20	SCREW, FILTER PLATE		530-016349	1	

J1

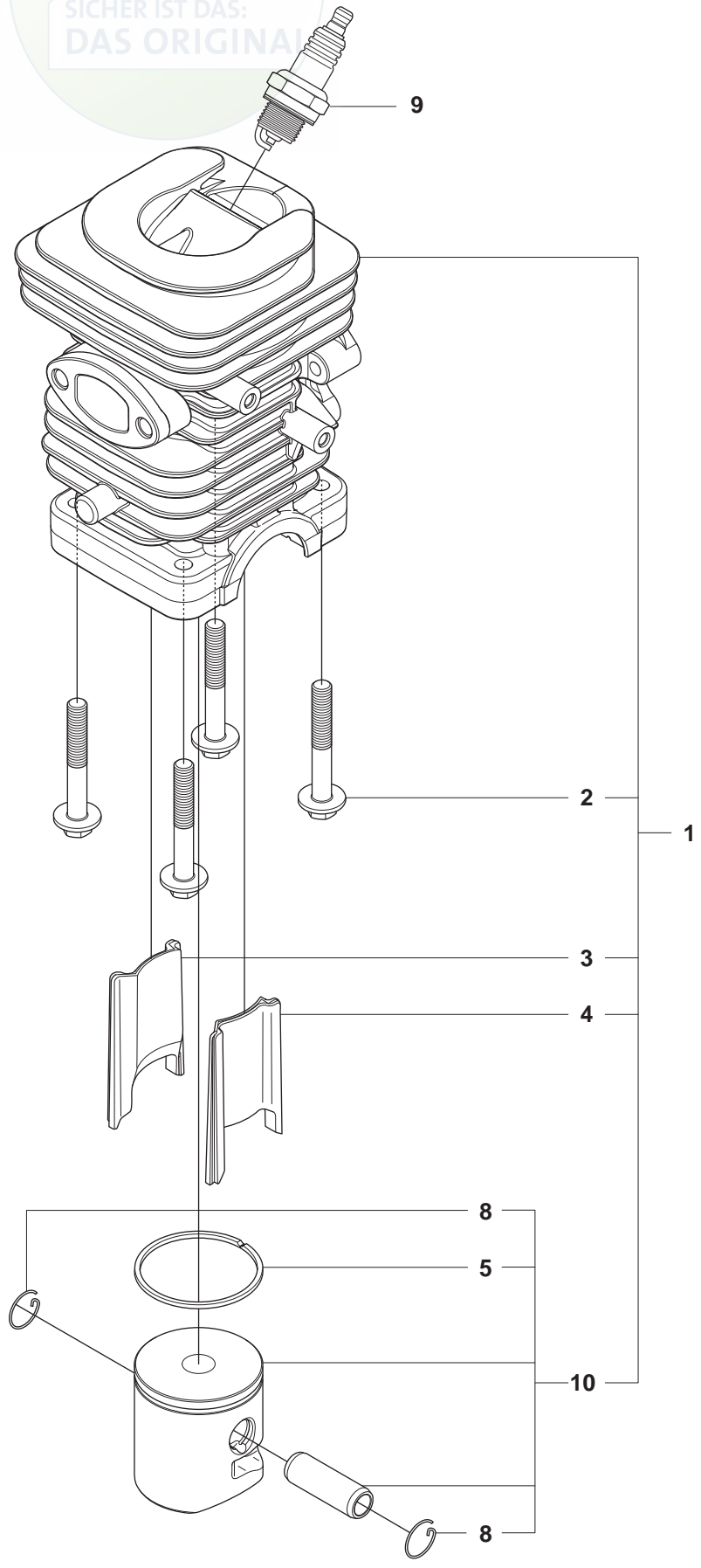
235, 235e





Page J1
235/235e
CYLINDER PISTON 34cc

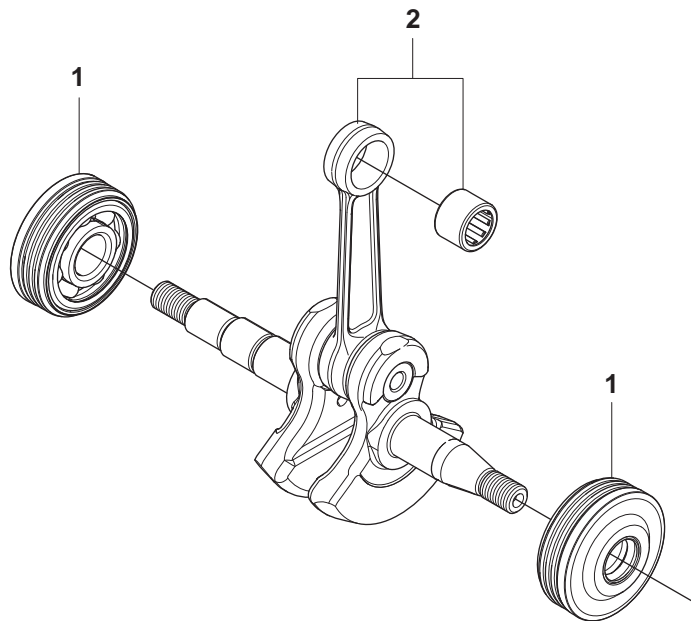
Pos.	Description	Compl No. (pos no.)	Part No.	Qty	Notes
1	KIT, CYLINDER & PISTON		545-050418	0	INCL. 2, 3, 4, 10
2	BOLT, CYLINDER		545-081501	4	
3	TRANSFER INSERT LEFT 34c		545-101501	1	
4	TRANSFER INSERT RIGHT 34cc		545-101401	1	
5	PISTON RING	10	545-101701	1	
8	PISTON PIN RETAINER	10	530-015697	2	
9	PLUG-SPARK (RCJ-7Y)		503-235108	1	
10	KIT PISTON 34cc 235/235e		545-081893	0	INCL. 5,6,7,8





Page J2
240/240e
CYLINDER PISTON 38CC

Pos.	Description	Compl No. (pos no.)	Part No.	Qty	Notes
1	KIT, CYLINDER & PISTON		545-050417	0	INCL.. 2, 3, 4, 10
2	BOLT, CYLINDER		545-081501	4	
3	INSERT, TRANSFER LEFT		530-012607	1	
4	INSERT, TRANSFER RIGHT		530-012606	1	
5	PISTON RING	10	530-012608	1	
8	PISTON PIN RETAINER	10	530-015697	2	
9	PLUG-SPARK (RCJ-7Y)		503-235108	1	
10	KIT 38cc PISTON		545-081894	0	INCL. 5,6,7,8

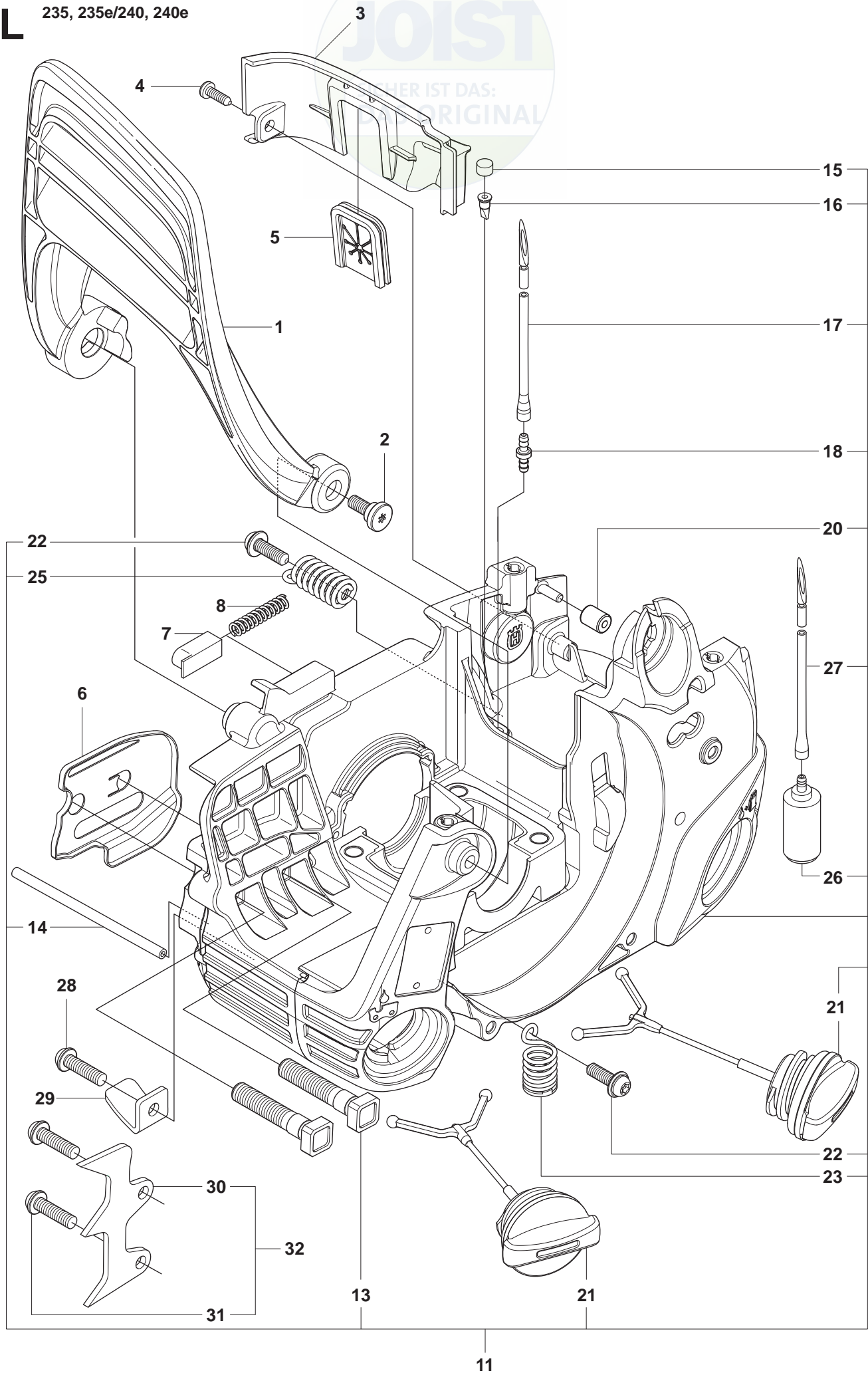




Page K
235/235e/240/240e
CRANKSHAFT

Pos.	Description	Compl No. (pos no.)	Part No.	Qty	Notes
1	ASSY MAIN BEARING & SEAL		530-056363	2	
2	ASSEMBLY CRANKSHAFT		530-012605	1	

235, 235e/240, 240e





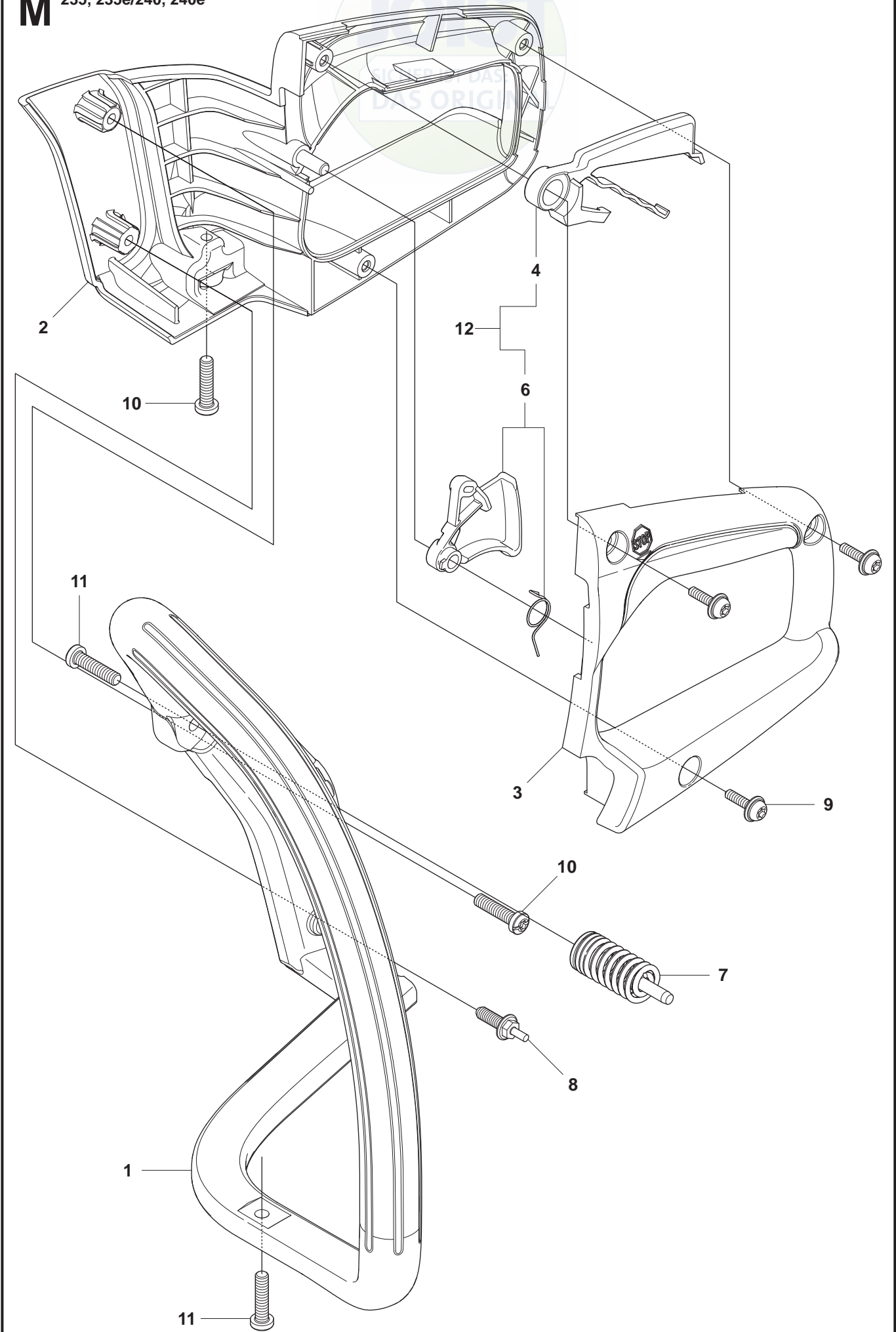
Page L

235/235e/240/240e

CHASSIS & HAND GUARD

Pos.	Description	Compl No. (pos no.)	Part No.	Qty	Notes
1	HANDGUARD		545-066701	1	
2	BOSS SCREW, HANDGUARD		545-127301	1	
3	REAR WALL		545-061201	1	
4	SCREW, MTG REAR WALL		530-016064	1	
5	GROMMET, REAR WALL		545-075401	1	
6	PLATE BAR MOUNTING		545-071401	1	
7	CAP, SPRING HANDGUARD		545-071301	1	
8	SPRING, HANDGUARD POSITION		545-071201	1	
11	CHASSIS ASSEMBLY		545-061101	0	INCL. 13-23, 25-27
13	BOLT, BAR	11	530-016133	2	
14	ASSY, VENT LINE	11	545-033501	1	
15	PLUG VENT (BRONZE)	11	530-029868	1	
16	CHECK VALVE (DUCK BILL)	11	530-026119	1	
17	LINE-RETURN PURGE	11	530-021132	1	
18	FITTING- FUEL LINE	11	530-023877	1	
20	ISOLATOR FILTER HOUSING	11	545-061901	1	
21	ASSY-OIL/FUEL CAP W/RET.	11	545-070801	2	
22	SCREW M5.28X1.81X16MM PLAS	11	530-015906	2	
23	ASS'Y FRONT ISOLATOR	11	545-033801	1	
25	REAR ISOLATOR SPRING	11	545-063101	1	
26	ASSY- PICK-UP	11	530-095646	1	
27	LINE, FUEL	11	545-078302	1	
28	SCREW CATCHER		530-015814	1	
29	HAIN CATCHER		530-029850	2	
30	SPIKE	32	530-038990	1	
31	SCREW SPIKE	32	530-016439	2	
32	KIT SPIKE		530-014381	0	INCL 30,31

M 235, 235e/240, 240e



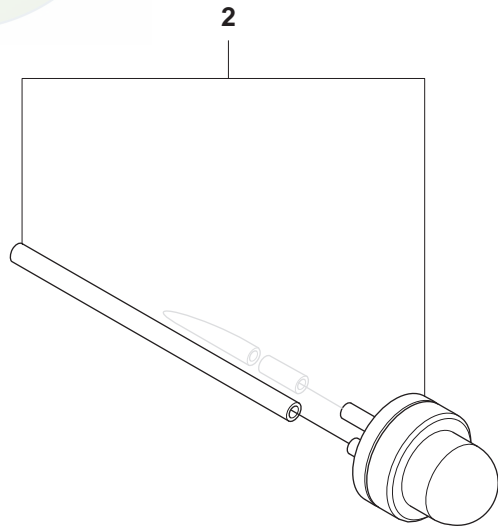
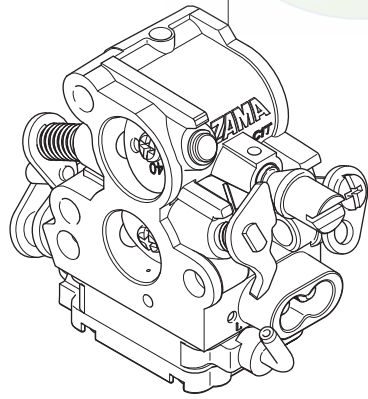
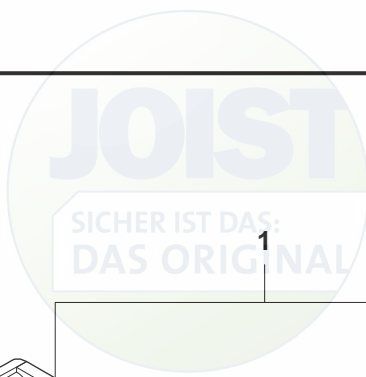


Page M

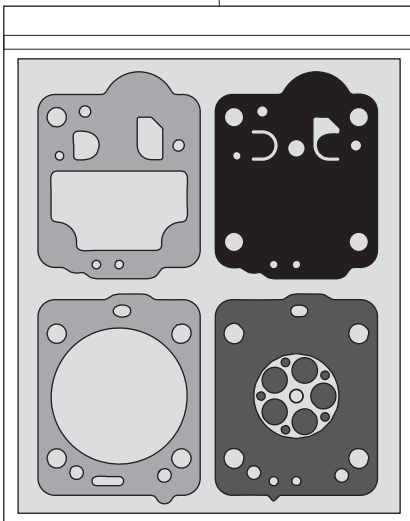
235/235e/240/240e

HANDLE AND CONTROLS

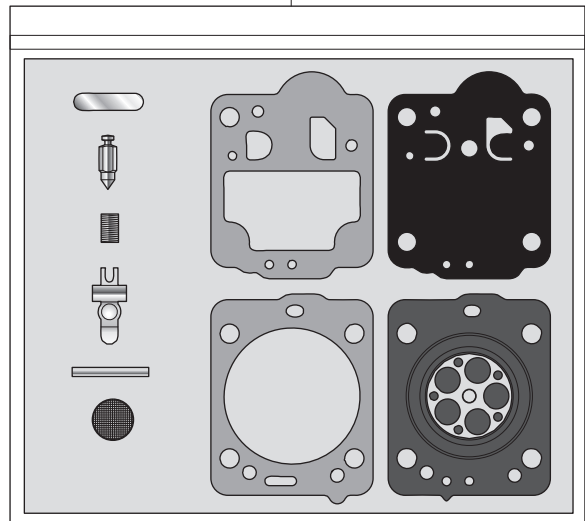
Pos.	Description	Compl No. (pos no.)	Part No.	Qty	Notes
1	FRONT HANDLE		545-062401	1	
2	REAR HANDLE W/OVMLD 240e		545-062202	1	
2	REAR HANDLE 235/235e		545-062201	1	
3	REAR HANDLE COVER W/OVMLD 240e		545-062302	1	
3	REAR HANDLE COVER 235/235e		545-062301	1	
4	LOCKOUT- THROTTLE	12	545-062601	1	
6	ASSY TRIGGER & SPRING	12	545-121501	1	INCLUDES SPRING
7	ASS'Y FRONT ISOLATOR		545-033901	1	
8	ISOLATION LIMITER SCREW		545-076301	1	
9	SCREW 8-16X15.1 PL PAN.TRX		530-016433	3	
10	SCREW M5.28X1.81X16MM PLAS		530-016349	2	
11	SREW M5.38-14X22.225MM		530-016432	2	
12	KIT TRIGGER & LOCKOUT		545-081013	0	



3



4

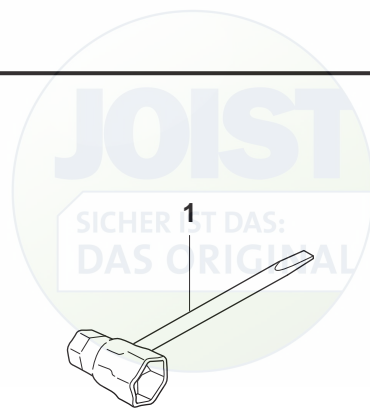




Page N
235/235e/240/240e
CARBURETOR DETAILS

Pos.	Description	Compl No. (pos no.)	Part No.	Qty	Notes
1	CARB COMPLETE		545-072601	1	INCL 1,2
2	PURGE AND LINE ASSEMBLY	1	545-008030	1	
3	KIT CARB GASKET		545-008031	1	
4	KIT CARB REPAIR		545-008032	1	

P 235, 235e/240, 240e





Page P
235/235e/240/240e
ACCESSORIES

Pos.	Description	Compl No. (pos no.)	Part No.	Qty	Notes
1	WRENCH		530-031135	1	