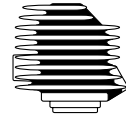


For Husqvarna Parts Call 606-678-9623 or 606-561-4983

 **Husqvarna**

SERVICE



13

232R/L-235R



1.1997

Spare parts

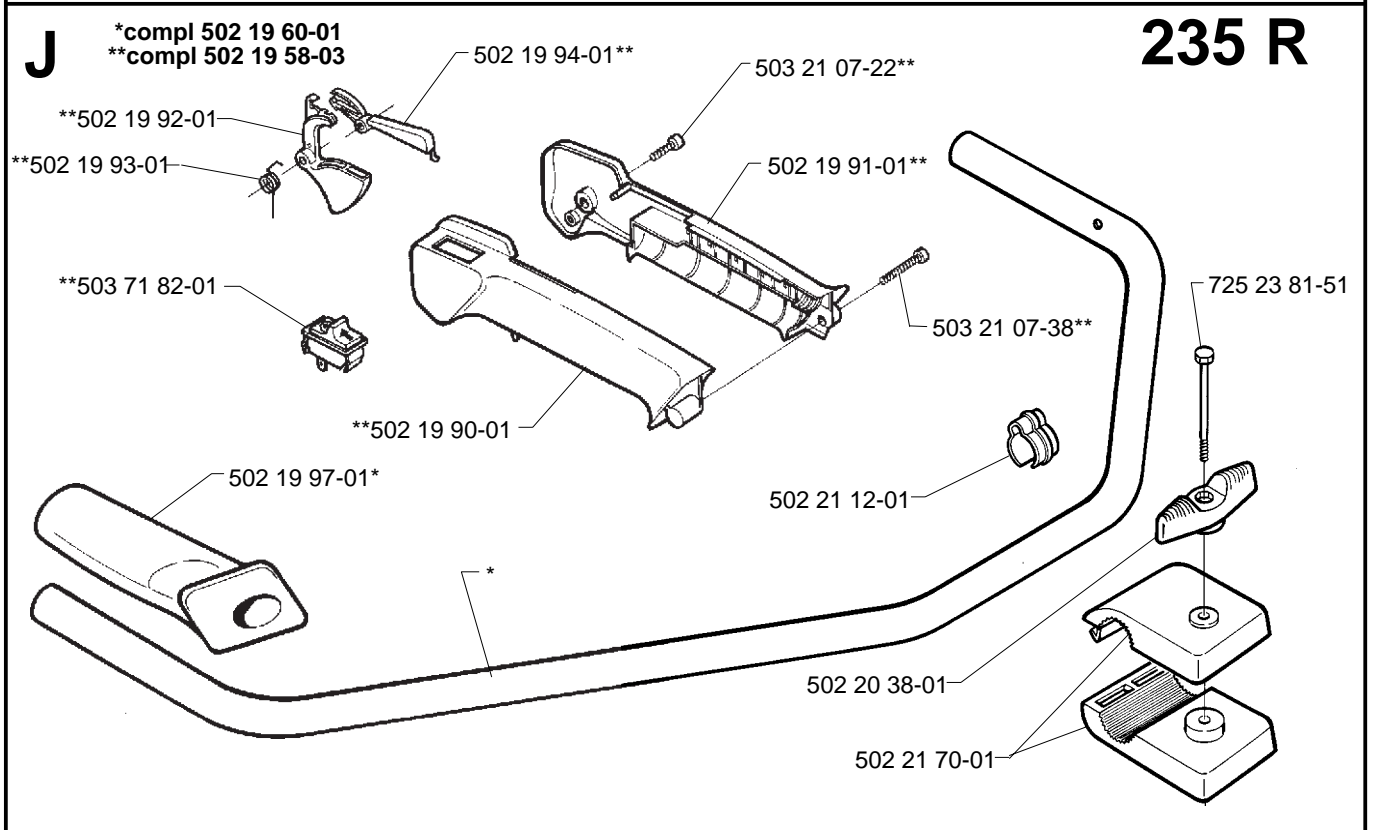
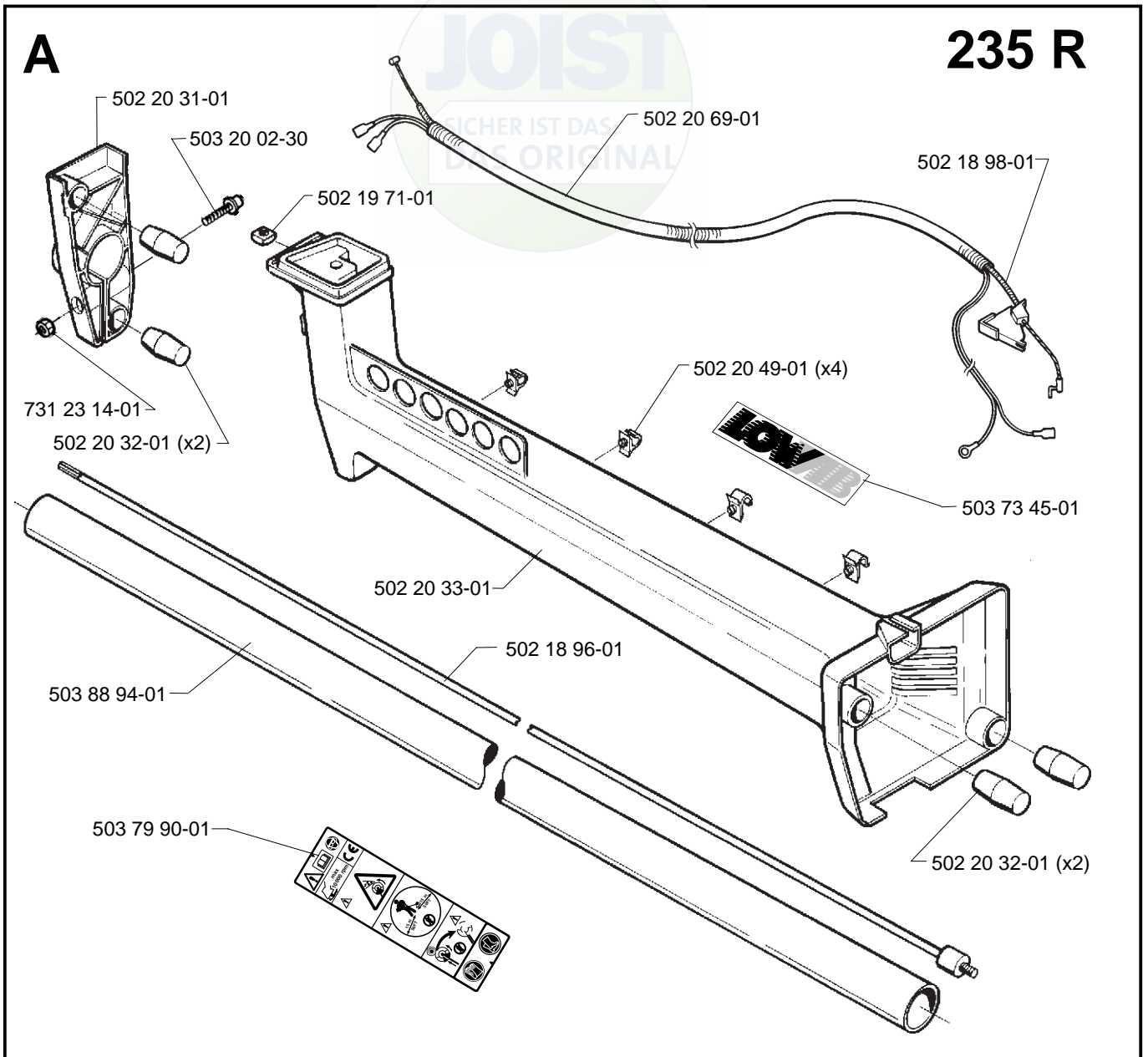
Ersatzteile

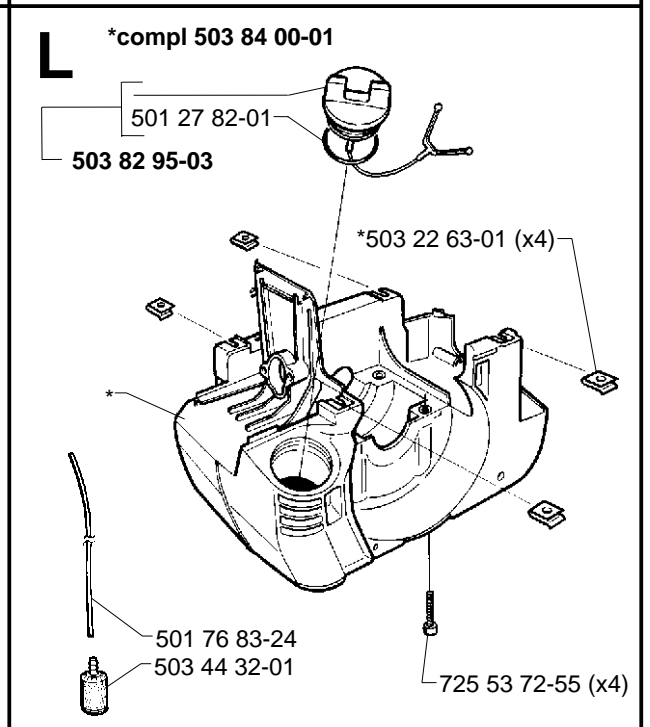
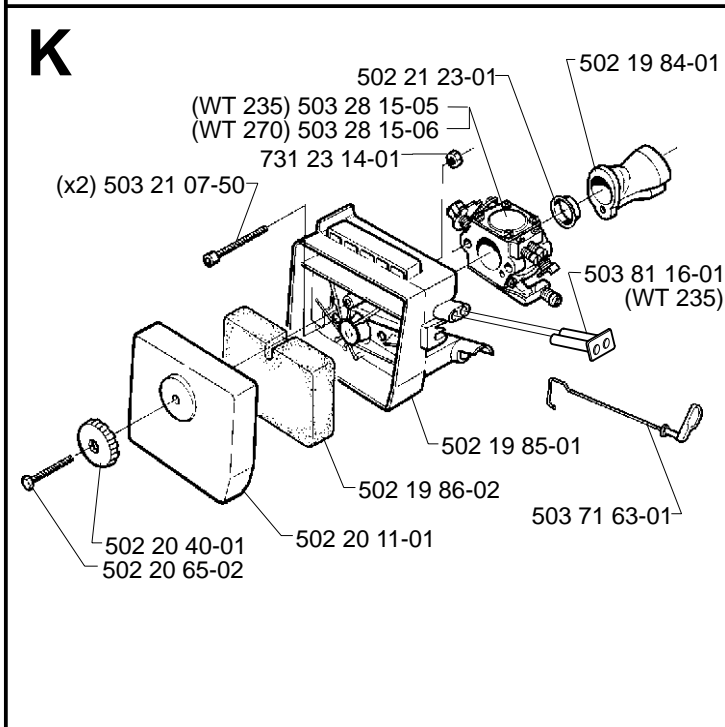
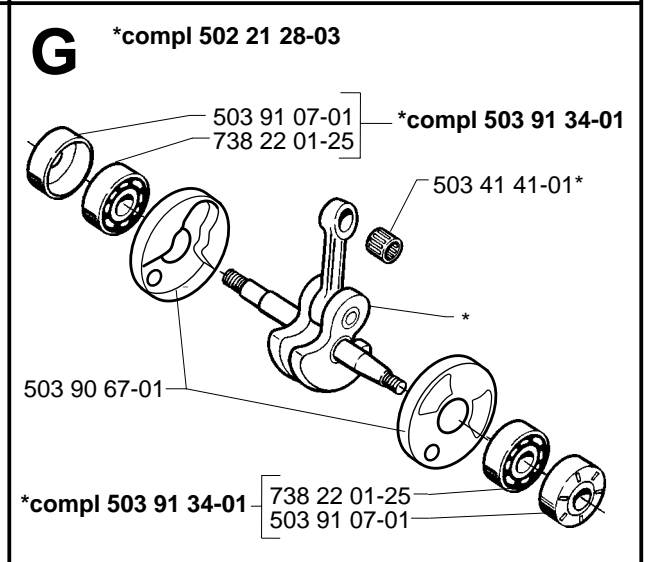
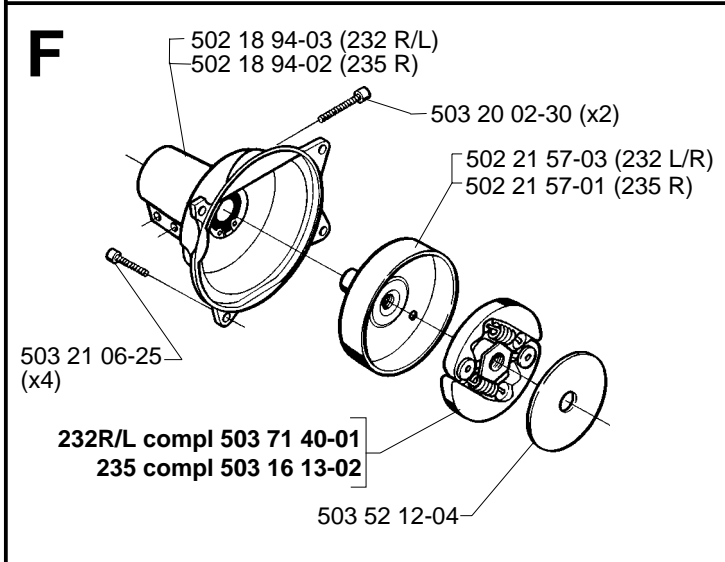
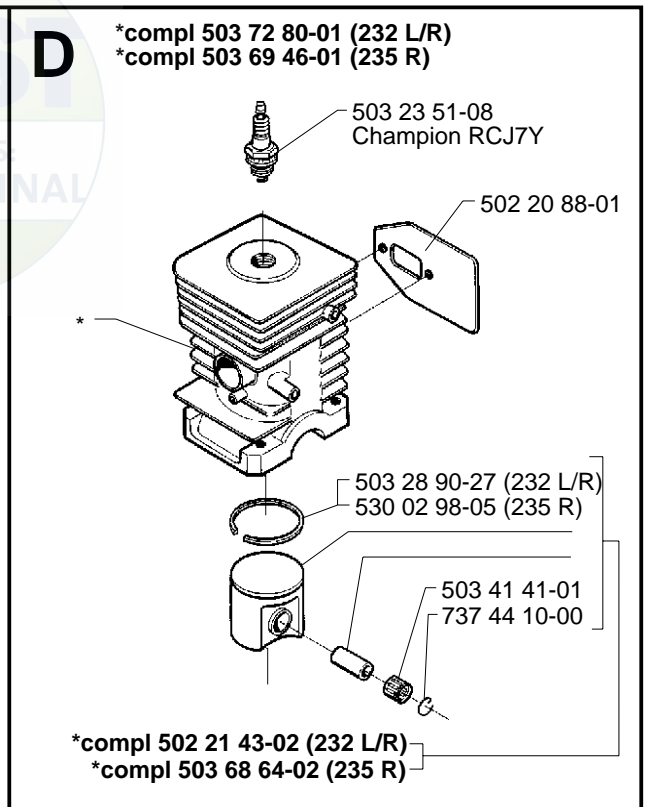
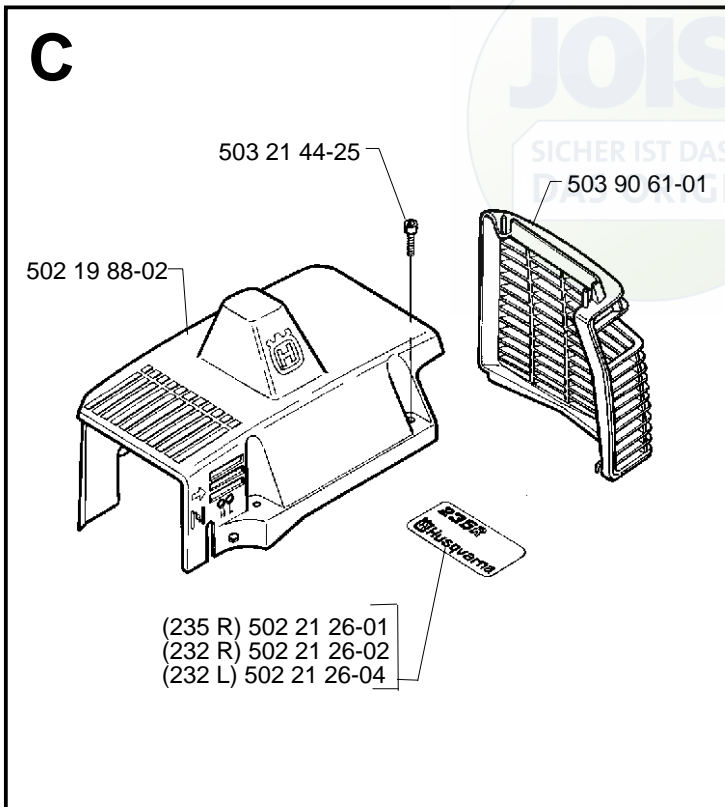
Pièces détachées

Reserve onderdelen

Repuestos

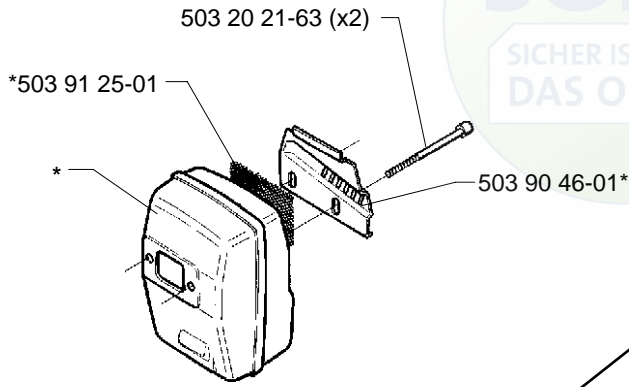
Reservdelar





E

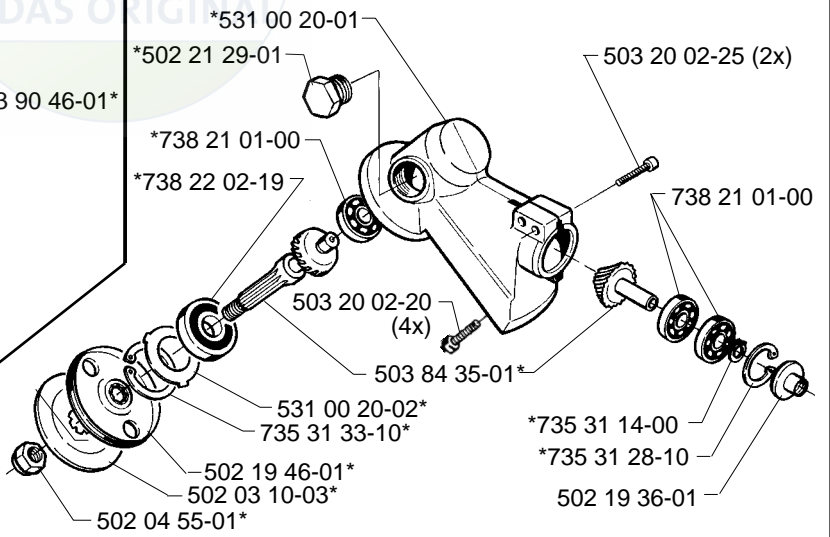
*compl 503 90 47-01



B

*compl 502 18 50-01

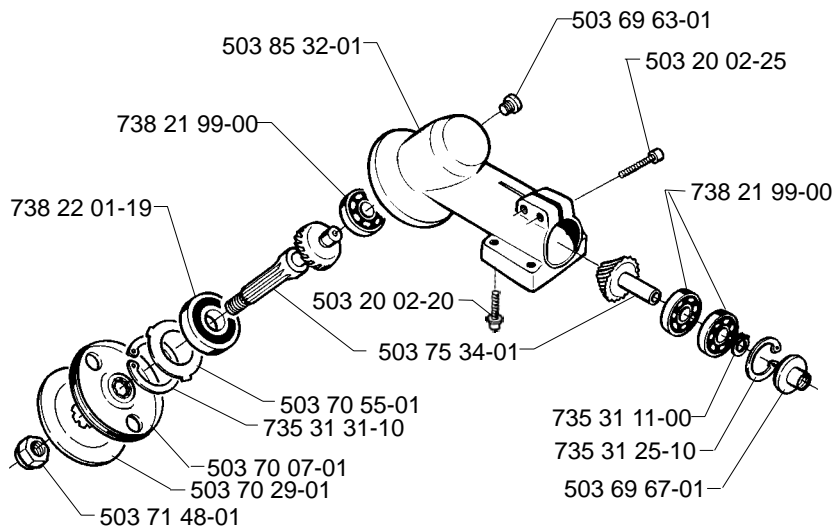
235 R



Q

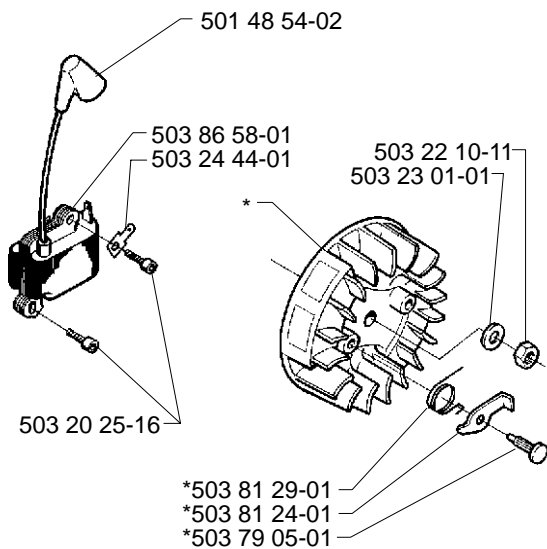
compl 502 21 92-03

232 R/L



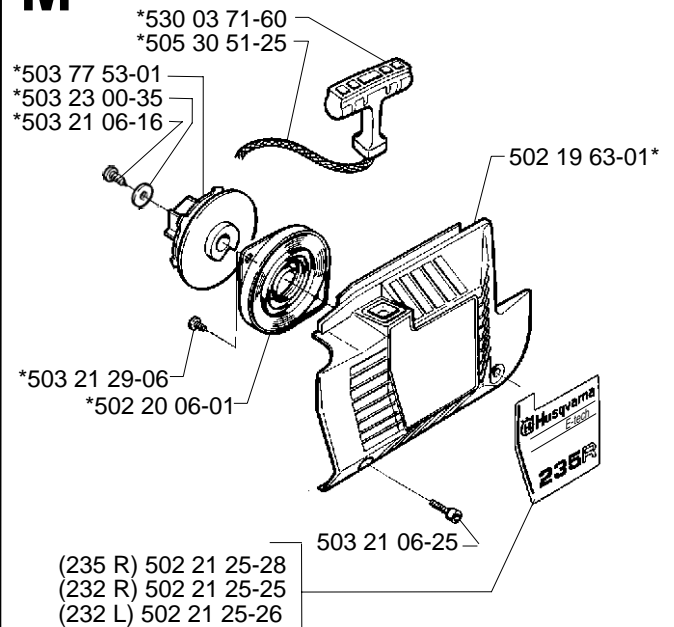
H

*compl 503 79 06-01

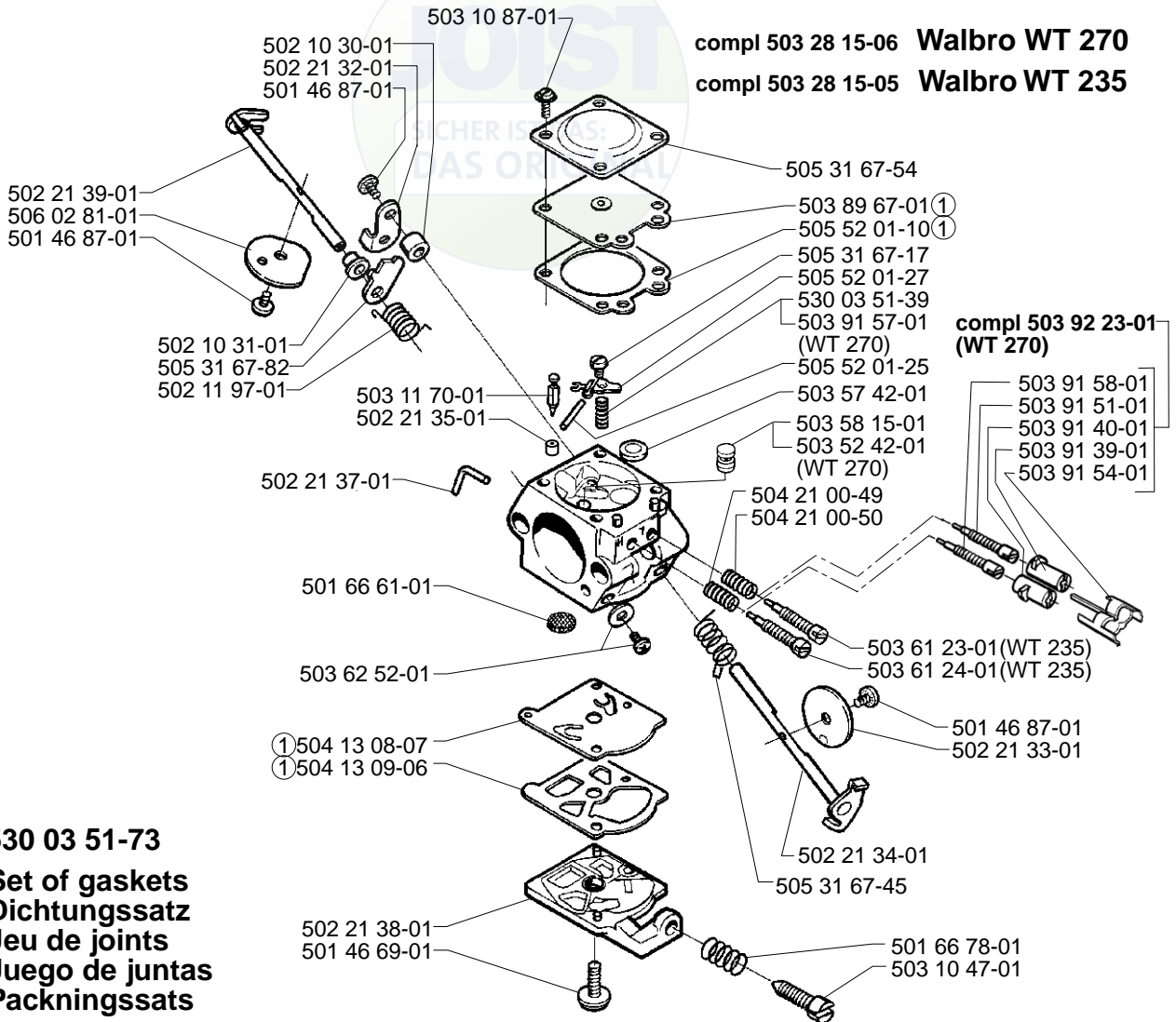


M

*compl 502 18 95-01



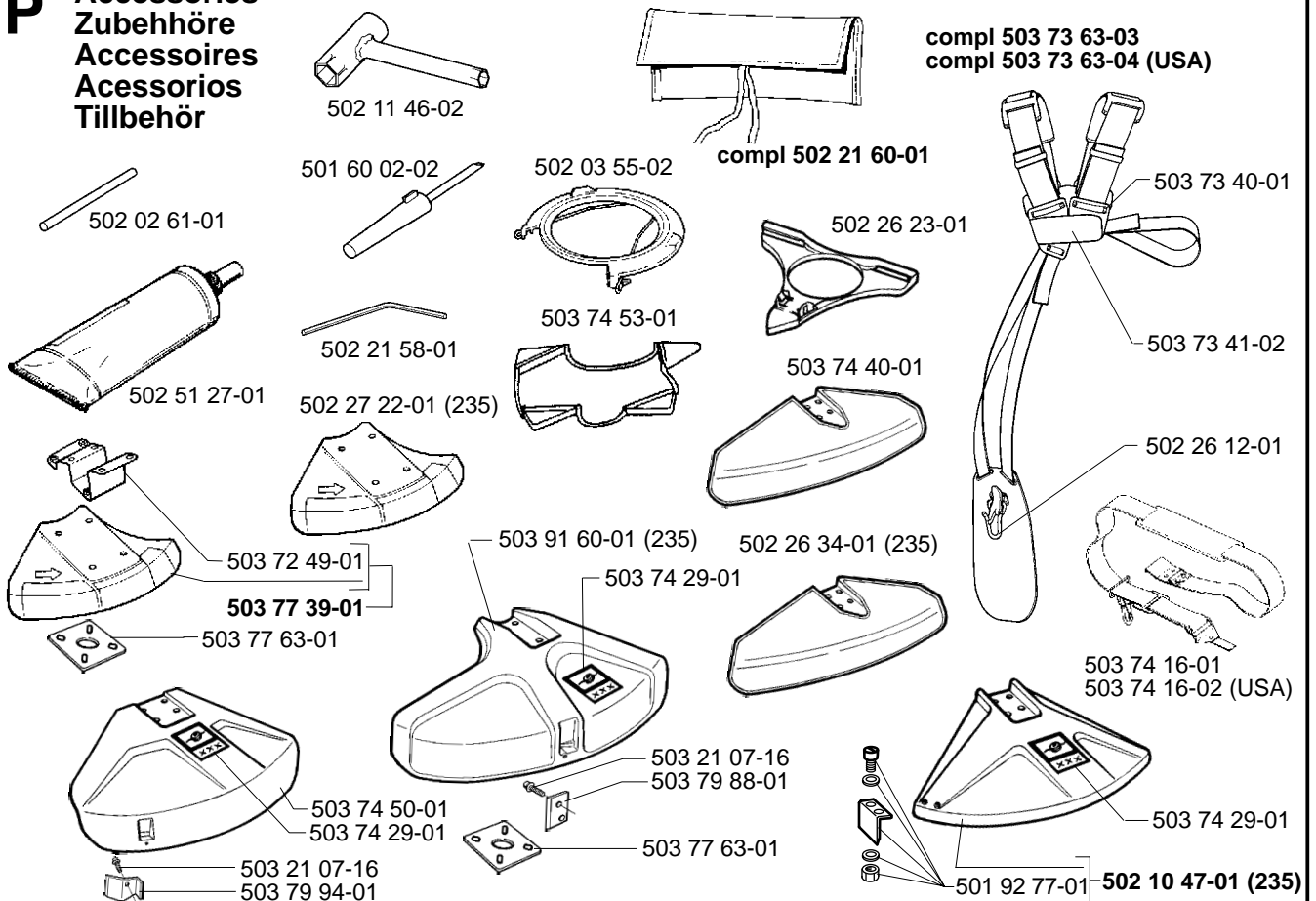
N



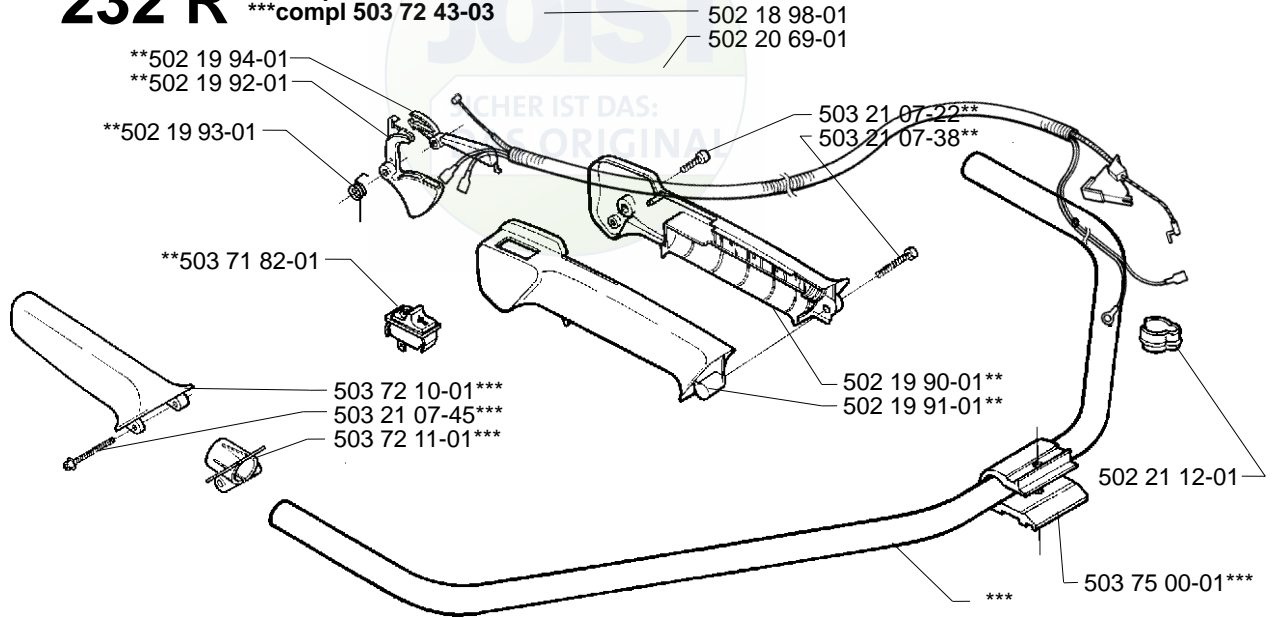
① **530 03 51-73**
Set of gaskets
Dichtungssatz
Jeu de joints
Juego de juntas
Packningsats

P

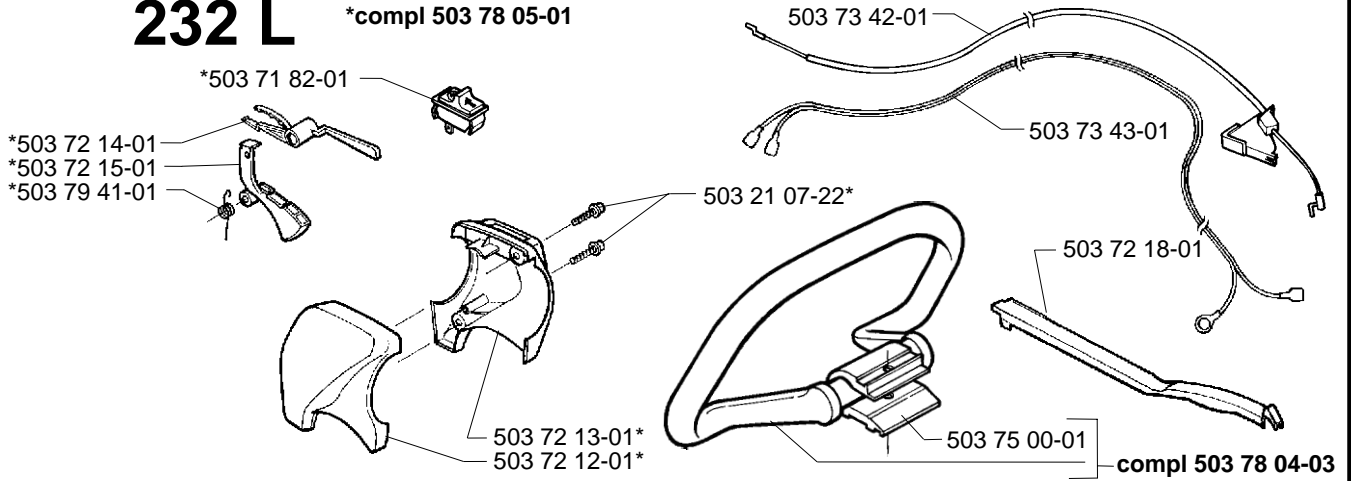
Accessories
Zubehöre
Accessoires
Accessorios
Tillbehör



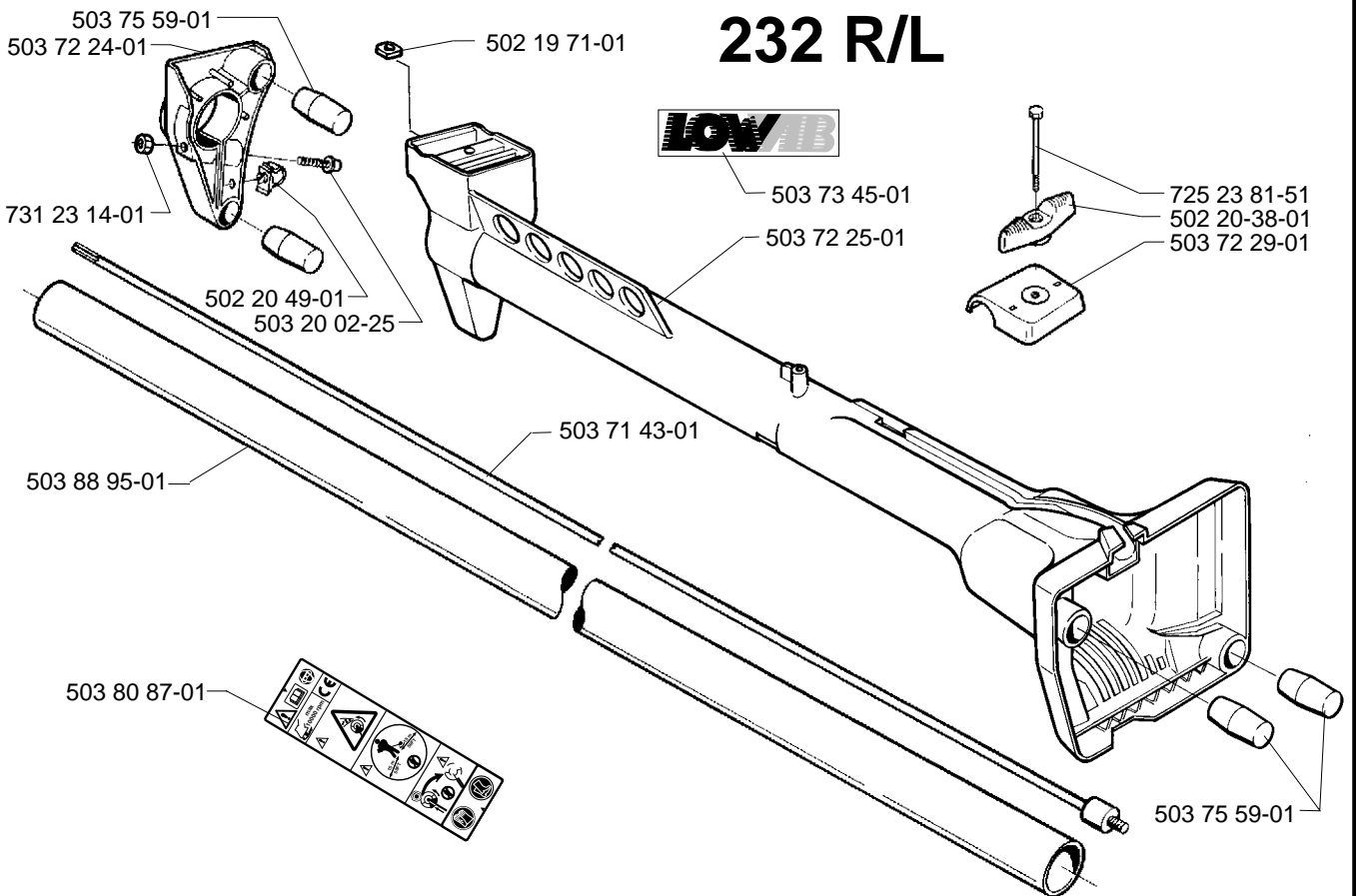
R 232 R **compl 503 78 01-01
***compl 503 72 43-03



232 L *compl 503 78 05-01



232 R/L



MODEL NUMBER 235R

PART NUMBER	SQUARE	NOTE	PART NUMBER	SQUARE	NOTE	PART NUMBER	SQUARE	NOTE	PART NUMBER	SQUARE	NOTE
501 27 82-01	L		502 21 29-01	B		503 72 15-01	R		505 31 67-82	N	
501 46 69-01	N		502 21 32-01	N		503 72 18-01	R		505 52 01-10	N	
501 46 87-01	N		502 21 33-01	N		503 72 24-01	R		505 52 01-25	N	
501 48 54-02	H		502 21 34-01	N		503 72 25-01	R		505 52 01-27	N	
501 60 02-02	P		502 21 35-01	N	N	503 72 29-01	R		506 02 81-01	N	
501 66 61-01	N		502 21 37-01	N		503 72 43-03	R		530 02 98-05	D	
501 66 78-01	N		502 21 38-01	N		503 72 49-01	P		530 03 51-39	N	
501 76 83-24	L	N	502 21 39-01	N		503 72 80-01	D		530 03 51-73	N	
501 92 77-01	P		502 21 43-02	D		503 73 40-01	P		530 03 71-60	M	
502 02 28-01	P		502 21 57-01			503 73 41-02	P		531 00 20-01	B	
502 02 61-01	P		502 21 57-03	F		503 73 42-01	R		531 00 20-02	B	
502 02 61-02	P		502 21 58-01	P		503 73 43-01	R		725 23 81-51	JR	
502 03 10-03	B		502 21 60-01	P		503 73 45-01	A, R		725 53 72-55	L	
502 03 55-02	P		502 21 70-01	J	N	503 73 59-02	C	N	731 23 14-01	AKR	
502 04 55-01	B		502 21 80-01	AR		503 73 63-03	P		735 31 11-00	Q	
502 10 30-01	N		502 21 92-03	Q		503 73 63-04	P		735 31 14-00	B	
502 10 31-01	N		502 26 12-01	P		503 74 16-01	P		735 31 25-10	Q	
502 10 47-01	P		502 26 34-01	P		503 74 16-02	P		735 31 28-10	B	
502 11 46-02	P		502 27 22-01	P		503 74 29-01	P		735 31 31-10	Q	
502 11 97-01	N		502 51 27-01	P		503 74 40-01	P		735 31 33-10	B	
502 18 50-01	B		503 10 47-01	N		503 74 50-01	P		737 44 10-00	D	
502 18 94-02	F		503 10 87-01	N		503 74 53-01	P		738 21 01-00	B	
502 18 94-03	F		503 11 70-01	N		503 75 00-01	R		738 21 99-00	Q	
502 18 95-01	M		503 16 13-02	F		503 75 34-01	Q		738 22 01-19	Q	
502 18 96-01	A		503 20 02-20	B		503 75 59-01	R		738 22 01-25	G	
502 18 98-01	AR		503 20 02-25	BRQ		503 77 39-01	P		738 22 02-19	B	
502 19 36-01	B		503 20 02-30	AF		503 77 53-01	M				
502 19 58-03	J		503 20 21-63	E	N	503 77 63-01	P				
502 19 60-01	J		503 20 25-16	H		503 78 04-03	R				
502 19 63-01	M		503 21 06-25	F, N	N	503 78 05-01	R				
502 19 71-01	AR		503 21 07-16	P		503 79 05-01	H	N			
502 19 78-01	D		503 21 07-22	JR		503 79 06-01	H	N			
502 19 84-01	K		503 21 07-38	J		503 79 41-01	JR				
502 19 85-01	K		503 21 07-45	R		503 79 88-01	P	N			
502 19 86-02	K		503 21 07-50	K	N	503 79 90-01	A	N			
502 19 88-02	C	N	503 21 29-06	M		503 79 94-01	P				
502 19 90-01	J		503 21 44-25	C		503 81 16-01	K				
502 19 91-01	J		503 22 10-11	H		503 81 19-01	H	N			
502 19 92-01	J		503 22 63-01	L		503 81 24-01	H	N			
502 19 94-01	J		503 23 01-01	H		503 81 29-01	H	N			
502 19 97-01	J		503 23 51-08	D		503 82 95-03	L	N			
502 20 06-01	M		503 28 15-05	KN		503 84 00-01	L	N			
502 20 11-01	K		503 28 15-06	KN		503 84 35-01	B				
502 20 31-01	A		503 28 90-27	D		503 85 32-01	Q	N			
502 20 31-03	A		503 41 41-01	DG		503 86 58-01	H	N			
502 20 32-01	A		503 44 32-01	L	N	503 88 94-01	A	N			
502 20 33-01	A		503 52 12-03	F		503 88 95-01	R	N			
502 20 38-01	JR		503 52 42-01	N	N	503 89 67-01	N	N			
502 20 40-01	K		503 57 42-01	N		503 90 46-01	E	N			
502 20 49-01	AR		503 58 15-01	N		503 90 47-01	E	N			
502 20 64-01	M		503 61 23-01	N		503 90 61-01	C	N			
502 20 65-02	K		503 61 24-01	N		503 90 67-01	G	N			
502 20 69-01	AR		503 62 52-01	N		503 91 07-01	G	N			
502 20 87-01	B		503 68 64-02	D		503 91 25-01	E	N			
502 20 88-01	D		503 69 46-01	D		503 91 34-01	G	N			
502 21 09-01	D		503 69 63-01	Q		503 91 39-01	N	N			
502 21 14-01	P		503 69 67-01	Q		503 91 40-01	N	N			
502 21 17-01	P		503 70 07-01	Q		503 91 51-01	N	N			
502 21 17-02	P		503 70 29-01	Q		503 91 54-01	N	N			
502 21 23-01	K		503 70 55-01	Q		503 91 57-01	N	N			
502 21 25-01	M		503 71 40-01	F		503 91 58-01	N	N			
502 21 25-02	M		503 71 43-01	R		503 91 60-01	P	N			
502 21 25-04	M		503 71 48-01	Q		503 92 23-01	N	N			
502 21 25-25	M	N	503 71 63-01	K		504 13 08-07	N	N			
502 21 25-26	M	N	503 71 82-01	J	N	504 13 09-06	N				
502 21 25-28	M	N	503 72 10-01	R		504 21 00-49	N				
502 21 26-01	C		503 72 11-01	R		504 21 00-50	N				
502 21 26-02	C		503 72 12-01	R		505 31 67-17	N				
502 21 26-04	C		503 72 13-01	R		505 31 67-45	N				
502 21 28-03	G	N	503 72 14-01	R		505 31 67-54	N				

N=New part
 Neues teil
 Nouvelle piece
 Nueva pieza
 Ny detalj