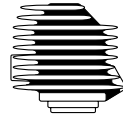


For Husqvarna Parts Call 606-678-9623 or 606-561-4983

 **Husqvarna**

SERVICE



13

1980001

232R, RD, L-235R



1.1998

Spare parts

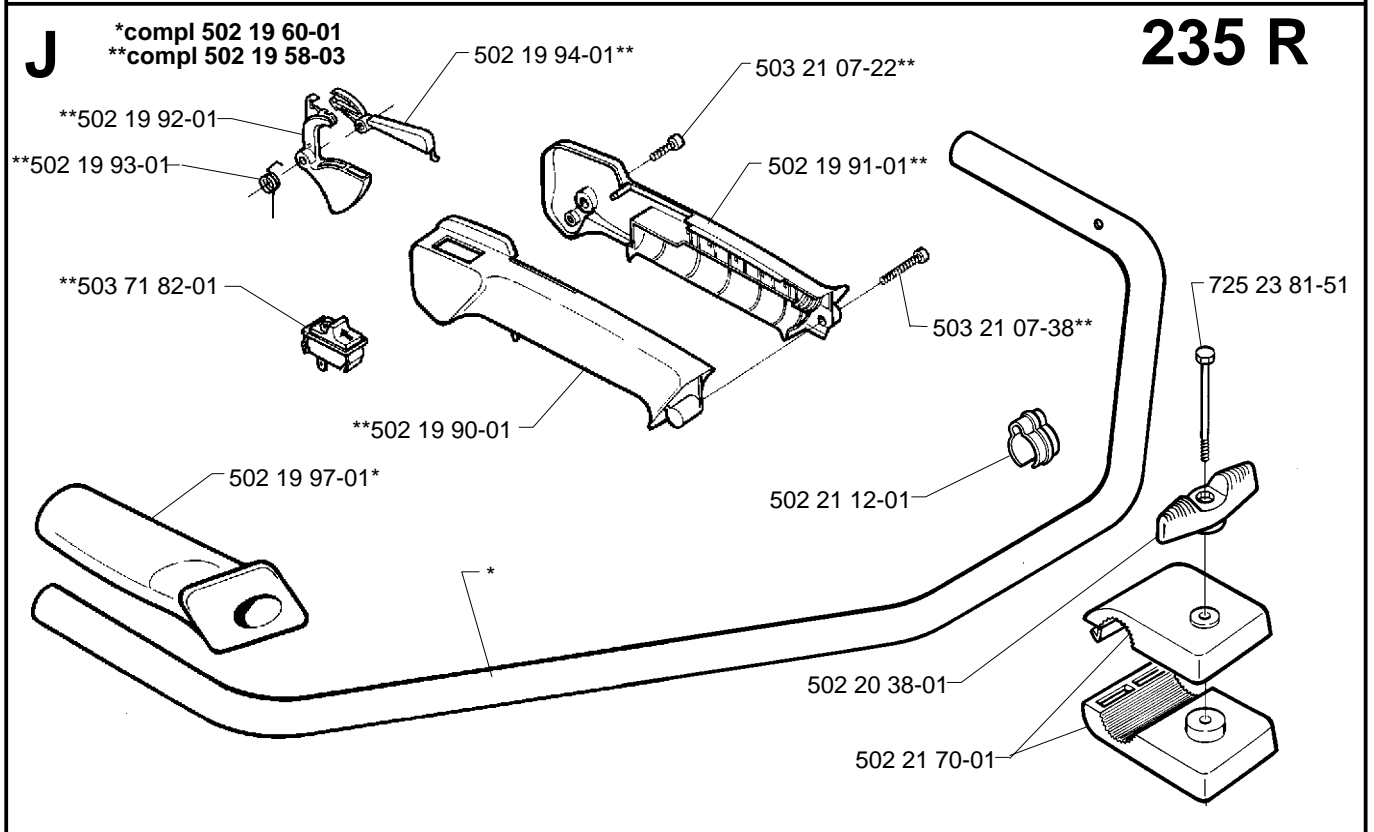
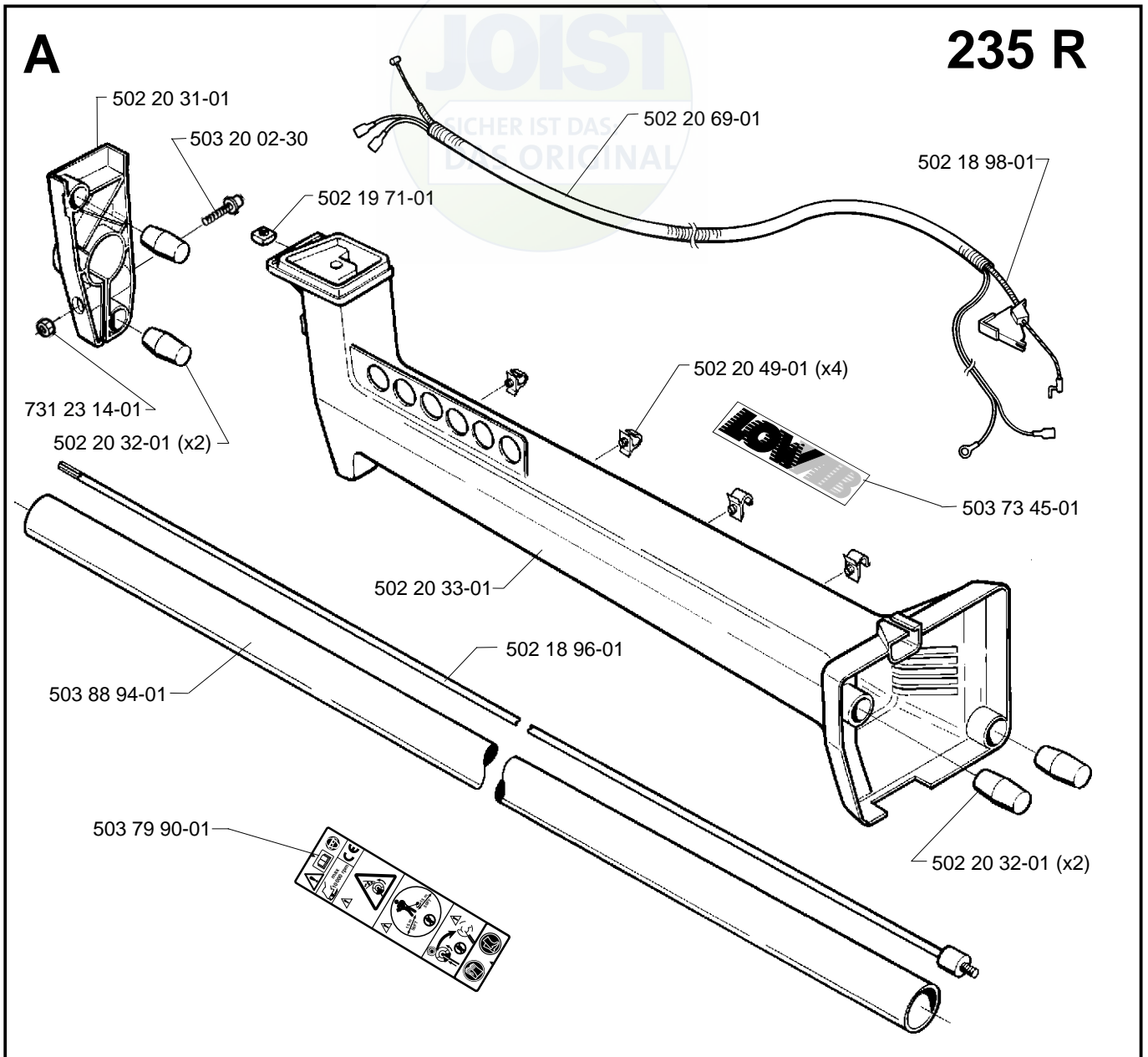
Ersatzteile

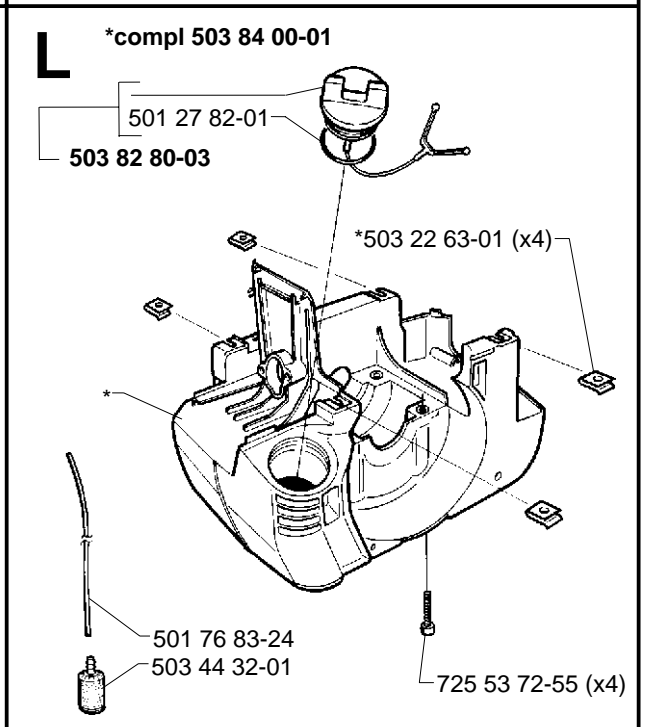
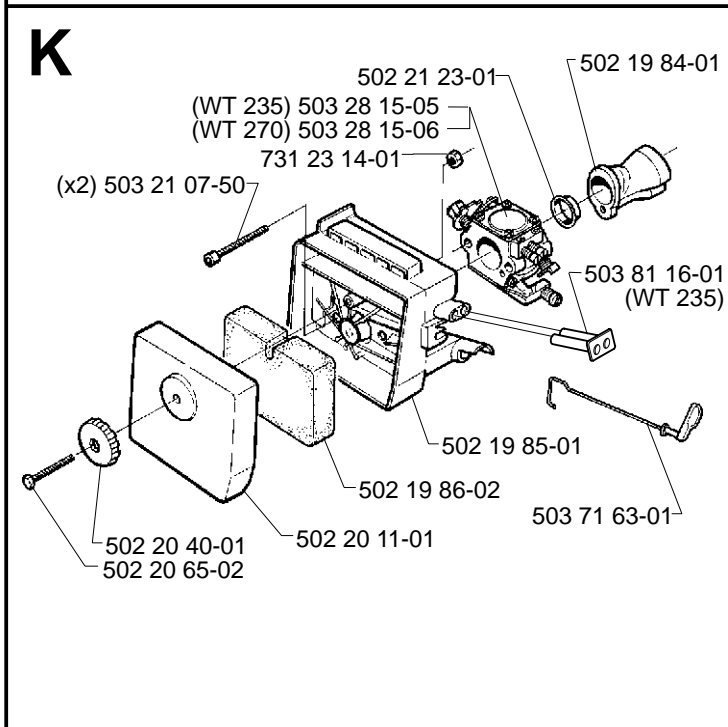
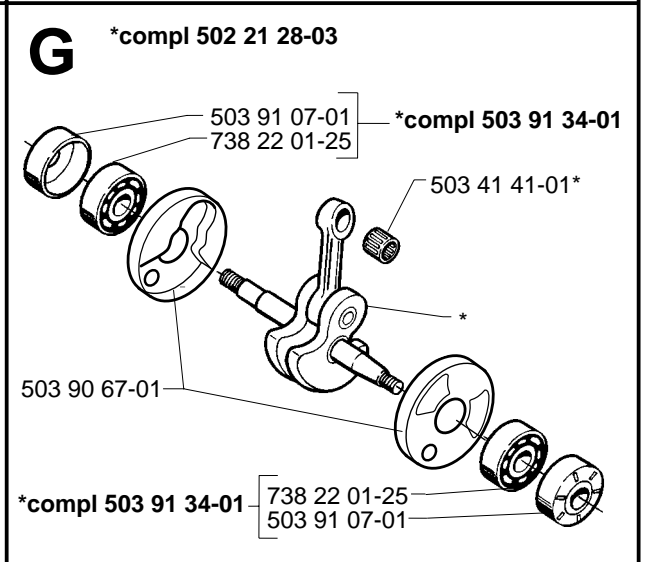
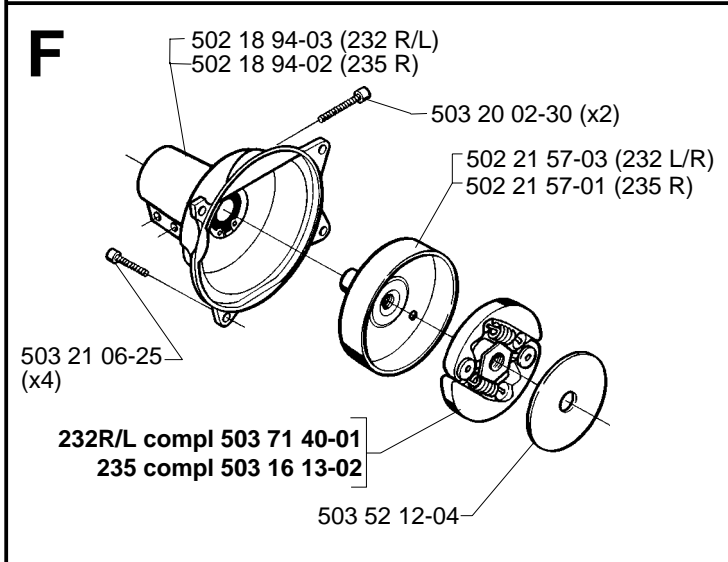
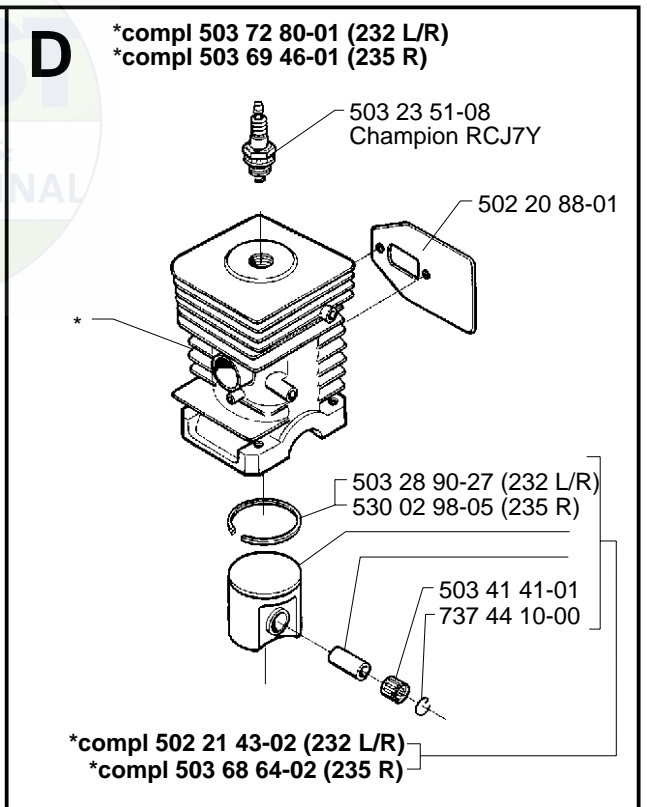
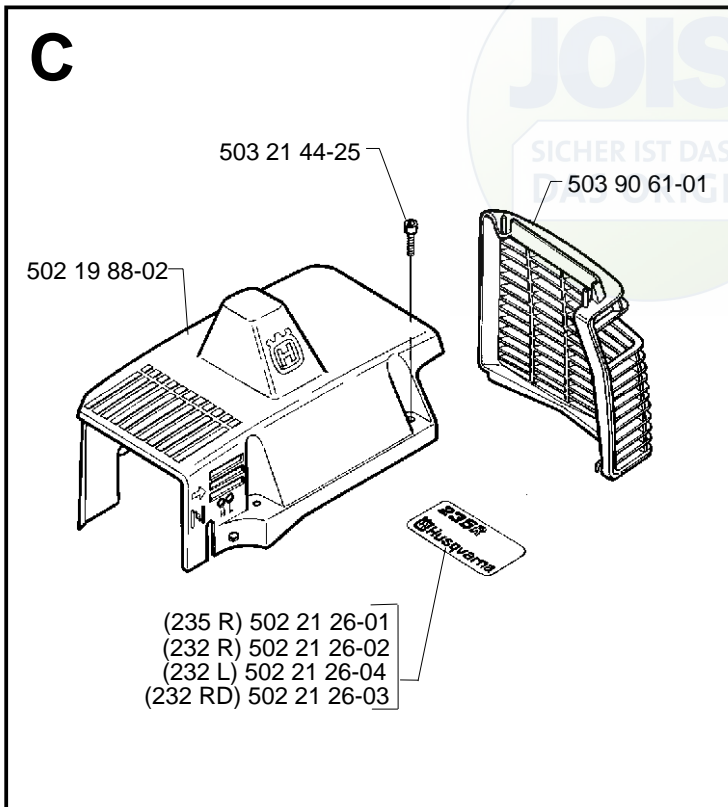
Pièces détachées

Reserve onderdelen

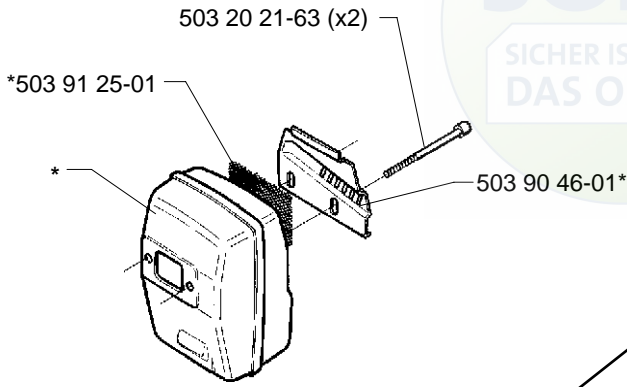
Repuestos

Reservdelar



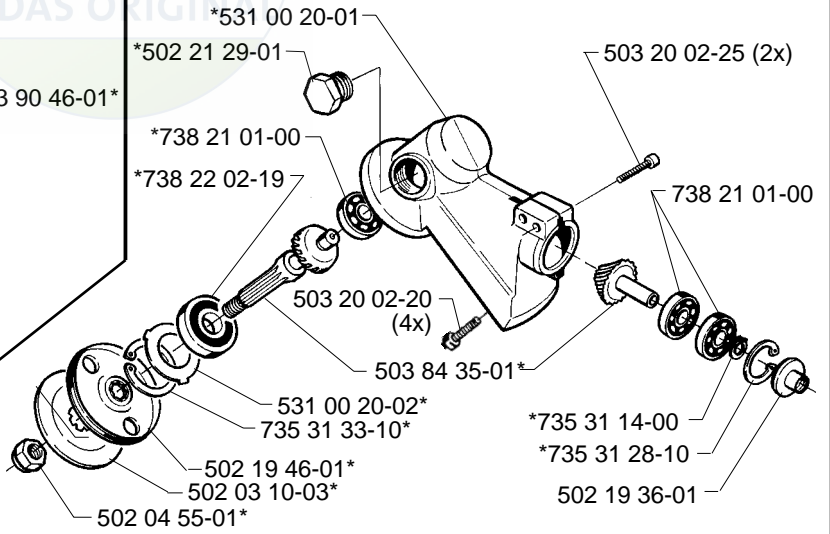


E *compl 503 90 47-01



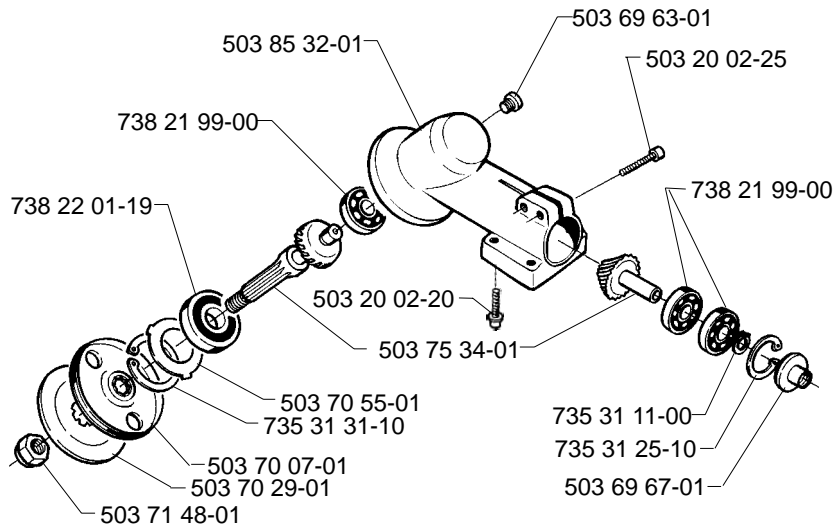
B *compl 502 18 50-01

235 R

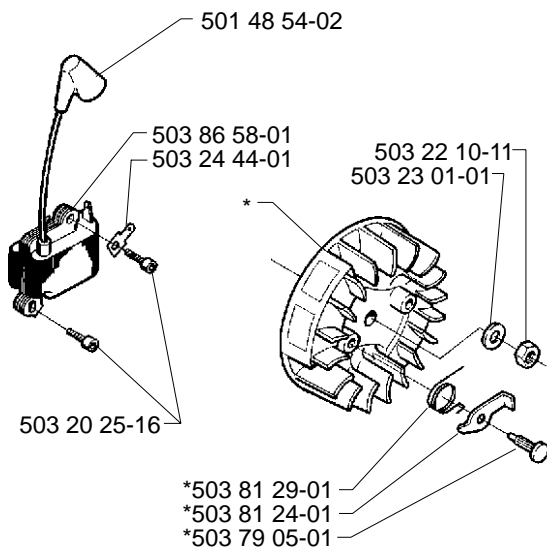


Q compl 502 21 92-03

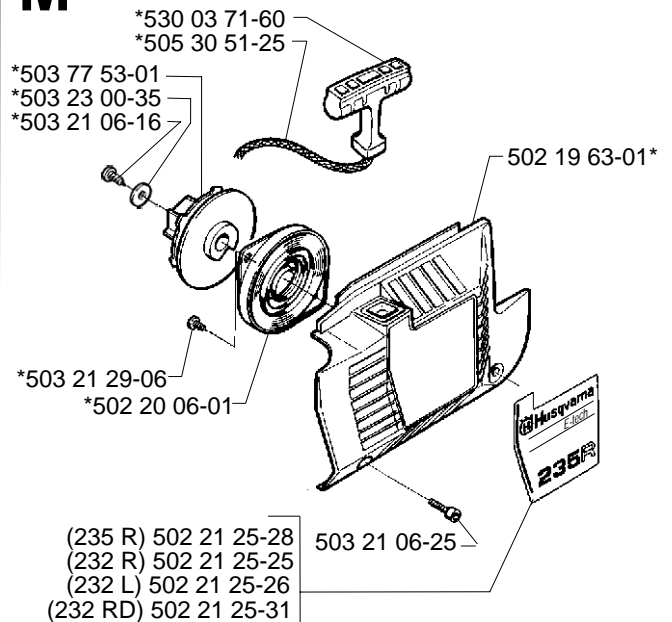
232 R/RD/L



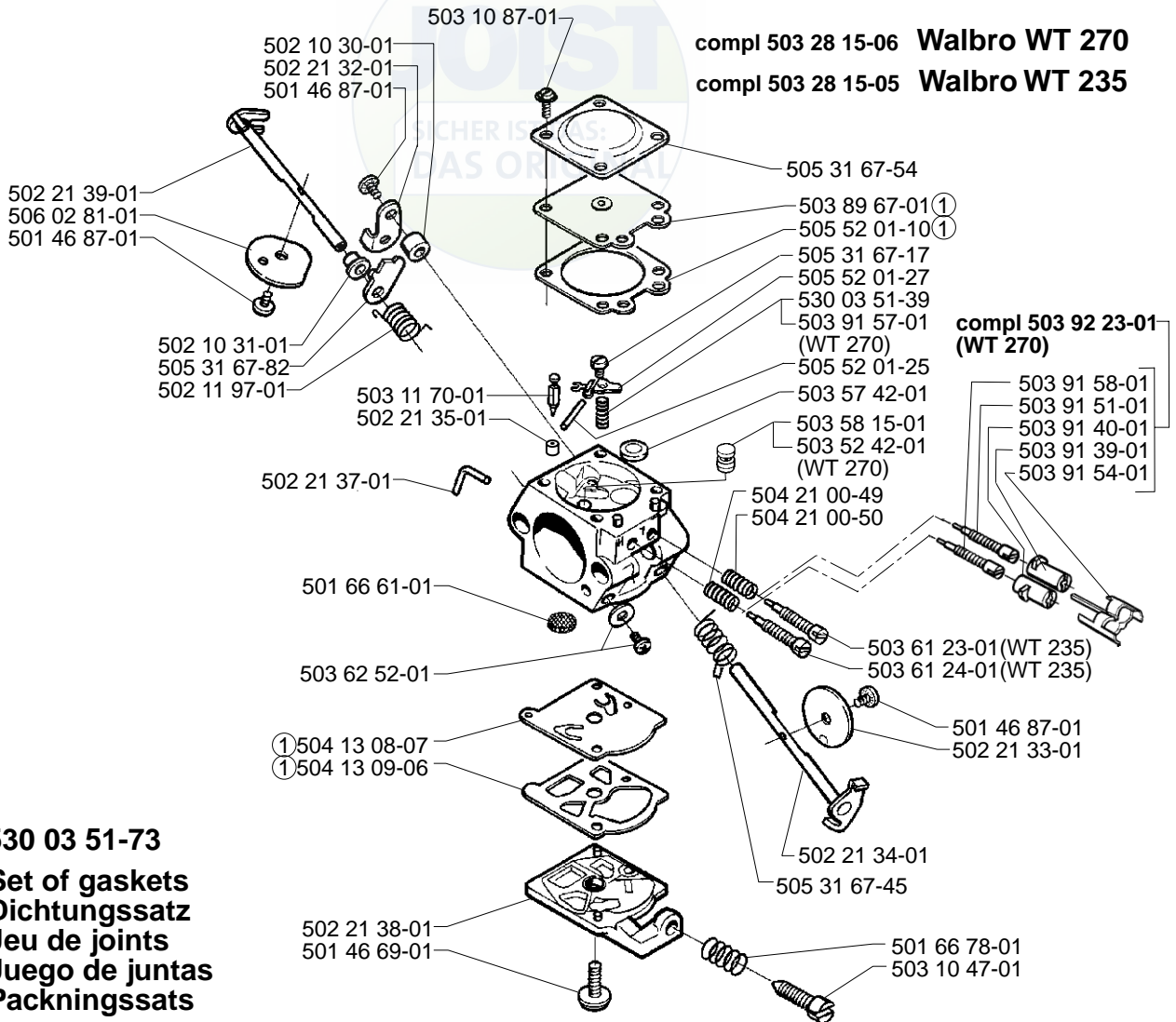
H *compl 503 79 06-01



M *compl 502 18 95-01



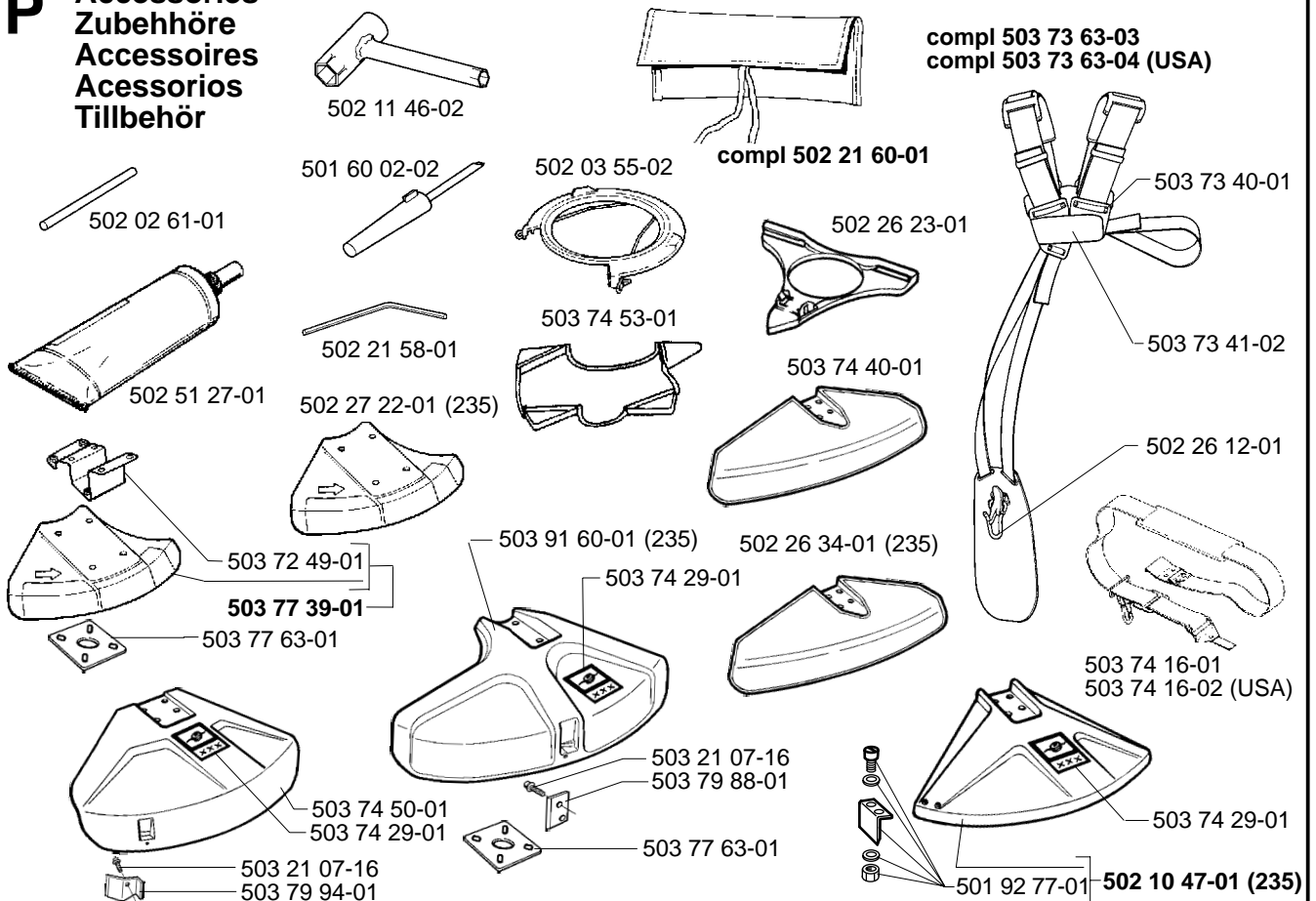
N



① **530 03 51-73**
Set of gaskets
Dichtungssatz
Jeu de joints
Juego de juntas
Packningsats

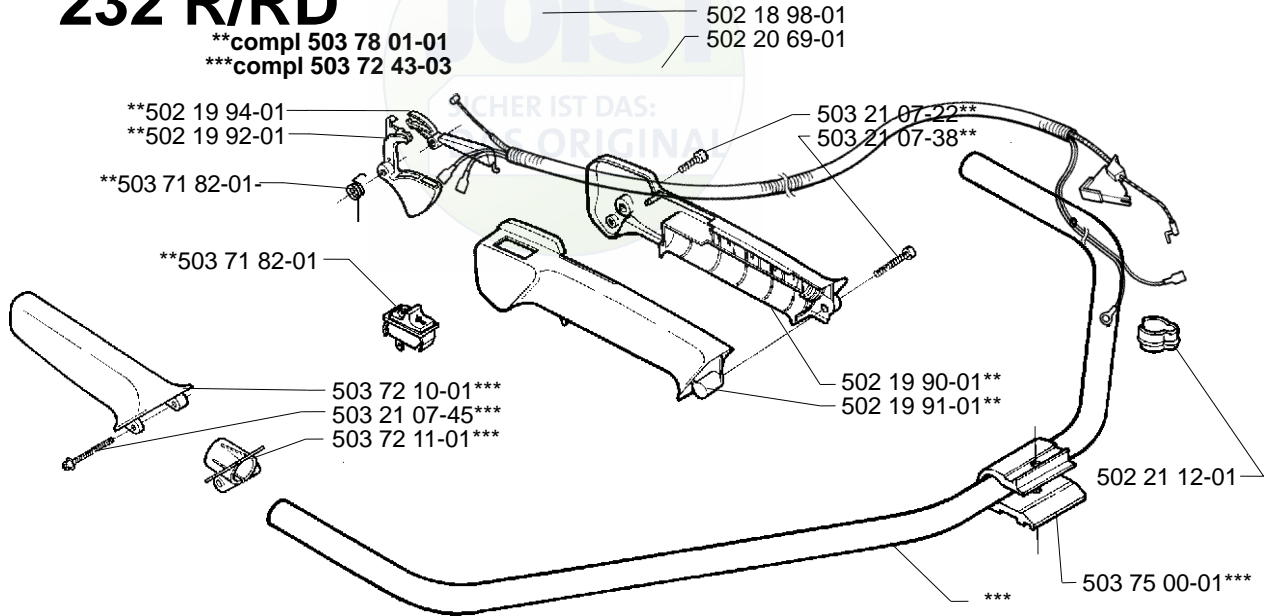
P

Accessories
Zubehöre
Accessoires
Accessorios
Tillbehör



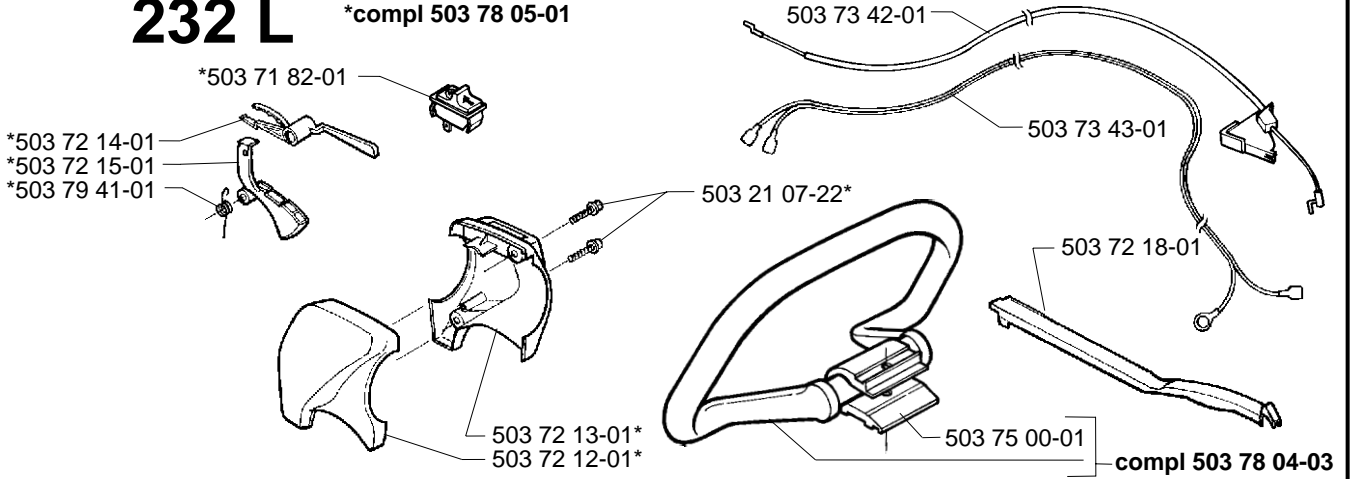
R 232 R/RD

**compl 503 78 01-01
 ***compl 503 72 43-03

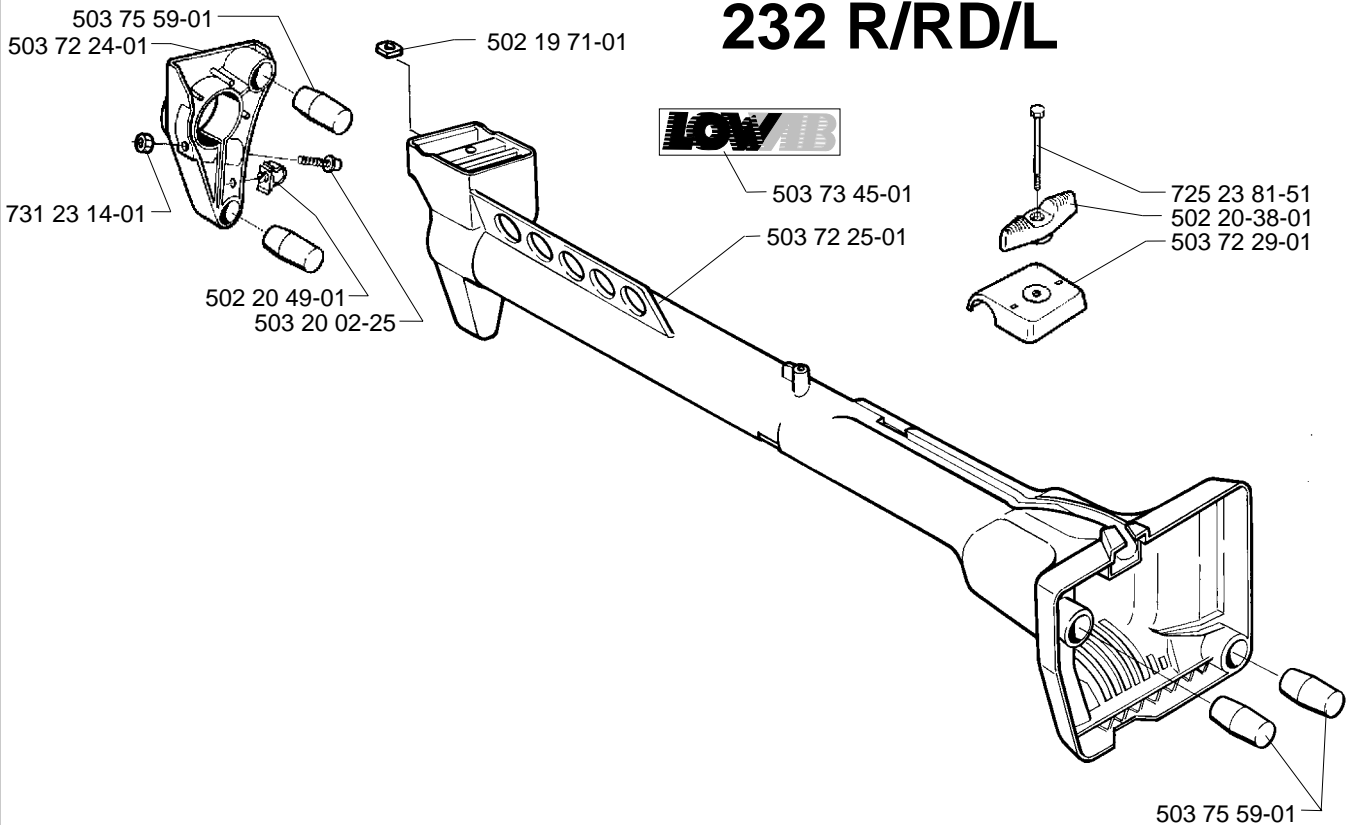


232 L

*compl 503 78 05-01

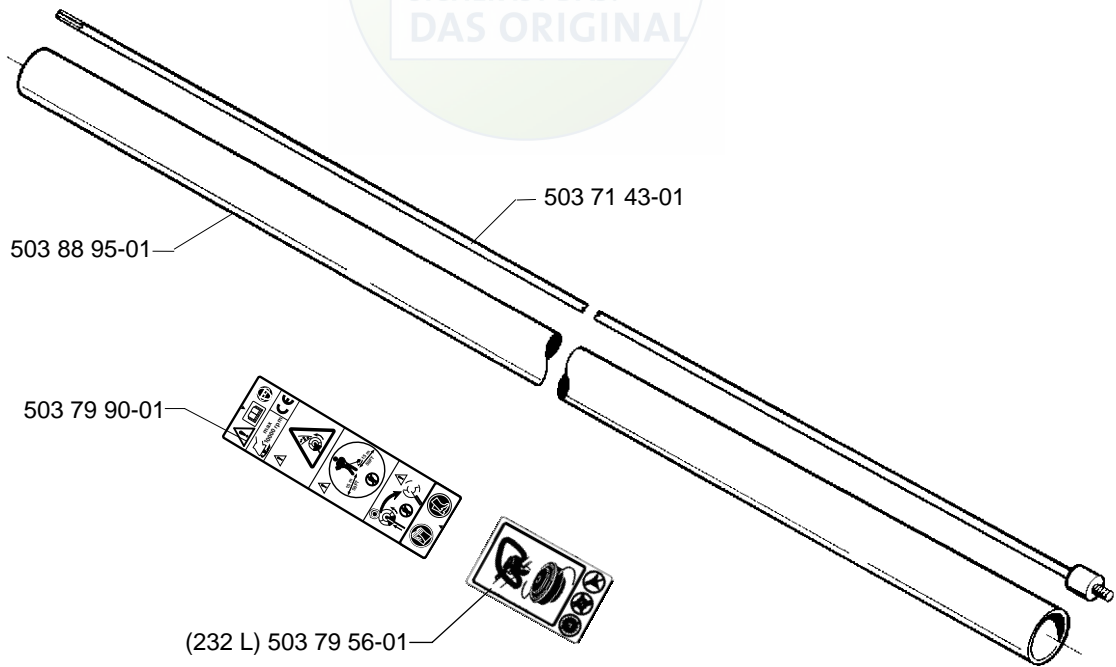


232 R/RD/L

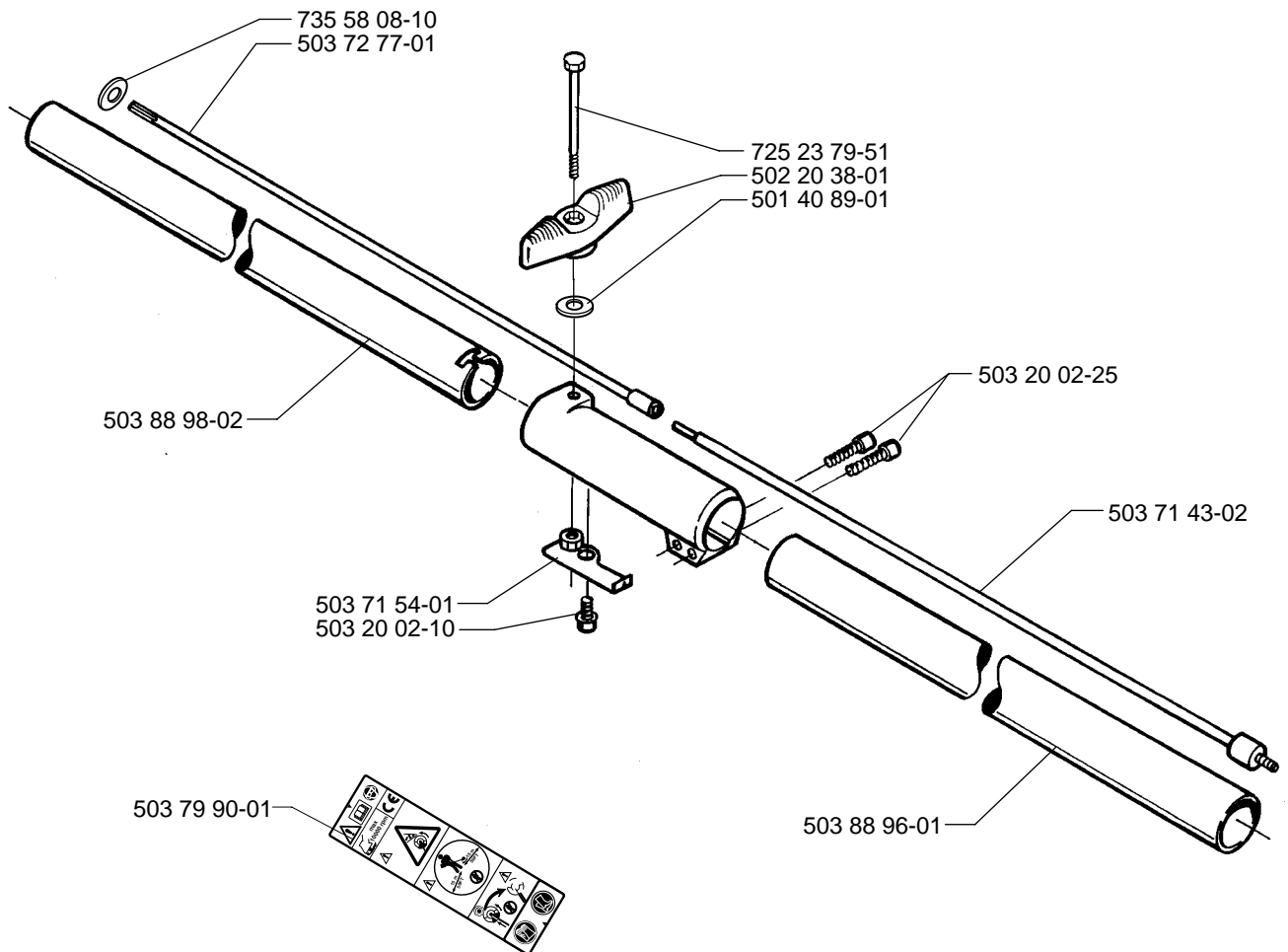


S

232 R/L



232 RD



For Husqvarna Parts Call 606-678-9623 or 606-561-4983

| PART NUMBER | SQUARE | NOTE | PART NUMBER | SQUARE | NOTE | PART NUMBER | SQUARE | NOTE | PART NUMBER | SQUARE | NOTE |
|----------------|--------|------|------------------|--------|------|----------------|--------|------|------------------|--------|------|
| 501 27 82-01 L | | | 502 21 38-01 N | | | 503 73 45-01 A | | | 725 23 81-51 J | | |
| 501 40 89-01 S | | N | 502 21 39-01 N | | | 503 73 63-03 P | | | 725 53 72-55 L | | |
| 501 46 69-01 N | | | 502 21 43-02 D | | | 503 73 63-04 P | | | 731 23 14-01 A,K | | |
| 501 46 87-01 N | | | 502 21 57-01 F | | | 503 74 16-01 P | | | 735 31 11-00 Q | | |
| 501 48 54-02 H | | | 502 21 57-03 F | | | 503 74 16-02 P | | | 735 31 14-00 B | | |
| 501 60 02-02 P | | | 502 21 58-01 P | | | 503 74 29-01 P | | | 735 31 25-10 Q | | |
| 501 66 61-01 N | | | 502 21 60-01 P | | | 503 74 40-01 P | | | 735 31 28-10 B | | |
| 501 66 78-01 N | | | 502 21 70-01 J | | | 503 74 50-01 P | | | 735 31 31-10 Q | | |
| 501 76 83-24 L | | | 502 21 92-03 Q | | | 503 74 53-01 P | | | 735 31 33-10 B | | |
| 501 92 77-01 P | | | 502 26 12-01 P | | | 503 75 34-01 Q | | | 735 58 08-10 S | | N |
| 502 02 61-01 P | | | 502 26 23-01 P | | | 503 77 39-01 P | | | 737 44 10-00 D | | |
| 502 03 10-03 B | | | 502 26 34-01 P | | | 503 77 53-01 M | | | 738 21 01-00 B | | |
| 502 03 55-02 P | | | 502 27 22-01 P | | | 503 77 63-01 P | | | 738 21 99-00 Q | | |
| 502 04 55-01 B | | | 502 51 27-01 P | | | 503 79 05-01 H | | | 738 22 01-19 Q | | |
| 502 10 30-01 N | | | 503 10 47-01 N | | | 503 79 06-01 H | | | 738 22 01-25 G | | |
| 502 10 31-01 N | | | 503 10 87-01 N | | | 503 79 56-01 S | | N | 738 22 01-25 G | | |
| 502 10 47-01 P | | | 503 11 70-01 N | | | 503 79 88-01 P | | | 738 22 02-19 B | | |
| 502 11 46-02 P | | | 503 16 13-02 F | | | 503 79 90-01 A | | | | | |
| 502 11 97-01 N | | | 503 20 02-10 S | | N | 503 79 90-01 S | | | | | |
| 502 18 50-01 B | | | 503 20 02-20 B,Q | | | 503 79 94-01 P | | | | | |
| 502 18 94-02 F | | | 503 20 02-25 S | | | 503 81 16-01 K | | | | | |
| 502 18 94-03 F | | | 503 20 02-25 B,Q | | | 503 81 24-01 H | | | | | |
| 502 18 95-01 M | | | 503 20 02-30 A,F | | | 503 81 29-01 H | | | | | |
| 502 18 96-01 A | | | 503 20 21-63 E | | | 503 82 80-03 L | | N | | | |
| 502 18 98-01 A | | | 503 20 25-16 H | | | 503 84 00-01 L | | | | | |
| 502 19 36-01 B | | | 503 21 06-16 M | | | 503 84 35-01 B | | | | | |
| 502 19 46-01 B | | | 503 21 06-25 F,M | | | 503 85 32-01 Q | | | | | |
| 502 19 58-03 J | | | 503 21 07-16 P | | N | 503 86 58-01 H | | | | | |
| 502 19 60-01 J | | | 503 21 07-22 J | | | 503 88 94-01 A | | | | | |
| 502 19 63-01 M | | | 503 21 07-38 J | | | 503 88 95-01 S | | | | | |
| 502 19 71-01 A | | | 503 21 07-50 K | | | 503 88 96-01 S | | N | | | |
| 502 19 84-01 K | | | 503 21 29-06 M | | | 503 88 98-02 S | | N | | | |
| 502 19 85-01 K | | | 503 21 44-25 C | | | 503 89 67-01 N | | | | | |
| 502 19 86-02 K | | | 503 22 10-11 H | | | 503 90 46-01 E | | | | | |
| 502 19 88-02 C | | | 503 22 63-01 L | | | 503 90 47-01 E | | | | | |
| 502 19 90-01 J | | | 503 23 00-35 M | | N | 503 90 61-01 C | | | | | |
| 502 19 91-01 J | | | 503 23 01-01 H | | | 503 90 67-01 G | | | | | |
| 502 19 92-01 J | | | 503 23 51-08 D | | | 503 91 07-01 G | | | | | |
| 502 19 93-01 J | | | 503 24 44-01 H | | N | 503 91 07-01 G | | | | | |
| 502 19 94-01 J | | | 503 28 15-05 K,N | | | 503 91 25-01 E | | | | | |
| 502 19 97-01 J | | | 503 28 15-06 K,N | | | 503 91 34-01 G | | | | | |
| 502 20 06-01 M | | | 503 28 90-27 D | | | 503 91 34-01 G | | | | | |
| 502 20 11-01 K | | | 503 41 41-01 D,G | | | 503 91 39-01 N | | | | | |
| 502 20 31-01 A | | | 503 44 32-01 L | | | 503 91 40-01 N | | | | | |
| 502 20 32-01 A | | | 503 52 12-04 F | | N | 503 91 51-01 N | | | | | |
| 502 20 33-01 A | | | 503 52 42-01 N | | | 503 91 54-01 N | | | | | |
| 502 20 38-01 J | | | 503 57 42-01 N | | | 503 91 57-01 N | | | | | |
| 502 20 38-01 S | | | 503 58 15-01 N | | | 503 91 58-01 N | | | | | |
| 502 20 40-01 K | | | 503 61 23-01 N | | | 503 91 60-01 P | | | | | |
| 502 20 49-01 A | | N | 503 61 24-01 N | | | 503 92 23-01 N | | | | | |
| 502 20 65-02 K | | | 503 62 52-01 N | | | 504 13 08-07 N | | | | | |
| 502 20 69-01 A | | | 503 68 64-02 D | | | 504 13 09-06 N | | | | | |
| 502 20 88-01 D | | | 503 69 46-01 D | | | 504 21 00-49 N | | | | | |
| 502 21 12-01 J | | | 503 69 63-01 Q | | | 504 21 00-50 N | | | | | |
| 502 21 23-01 K | | | 503 69 67-01 Q | | | 505 30 51-25 M | | N | | | |
| 502 21 25-25 M | | | 503 70 07-01 Q | | | 505 31 67-17 N | | | | | |
| 502 21 25-26 M | | | 503 70 29-01 Q | | | 505 31 67-45 N | | | | | |
| 502 21 25-28 M | | | 503 70 55-01 Q | | | 505 31 67-54 N | | | | | |
| 502 21 25-31 M | | N | 503 71 40-01 F | | | 505 31 67-82 N | | | | | |
| 502 21 26-01 C | | | 503 71 43-01 S | | N | 505 52 01-10 N | | | | | |
| 502 21 26-02 C | | | 503 71 43-02 S | | | 505 52 01-25 N | | | | | |
| 502 21 26-03 C | | N | 503 71 48-01 Q | | | 505 52 01-27 N | | | | | |
| 502 21 26-04 C | | | 503 71 54-01 S | | N | 506 02 81-01 N | | | | | |
| 502 21 28-03 G | | | 503 71 63-01 K | | | 530 02 98-05 D | | | | | |
| 502 21 29-01 B | | | 503 71 82-01 J | | | 530 03 51-39 N | | | | | |
| 502 21 32-01 N | | | 503 72 49-01 P | | | 530 03 51-73 N | | | | | |
| 502 21 33-01 N | | | 503 72 77-01 S | | N | 530 03 71-60 M | | | | | |
| 502 21 34-01 N | | | 503 72 80-01 D | | | 531 00 20-01 B | | | | | |
| 502 21 35-01 N | | | 503 73 40-01 P | | | 531 00 20-02 B | | | | | |
| 502 21 37-01 N | | | 503 73 41-02 P | | | 725 23 79-51 S | | N | | | |