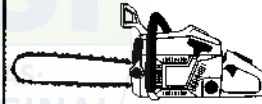


 **Husqvarna**

SERVICE



13

232R/235R



1.1994

Spare parts

Ersatzteile

Pièces détachées

Reserve onderdelen

Repuestos

Reservdelar

Replaces

Ersetzt

Remplace

Vervangt

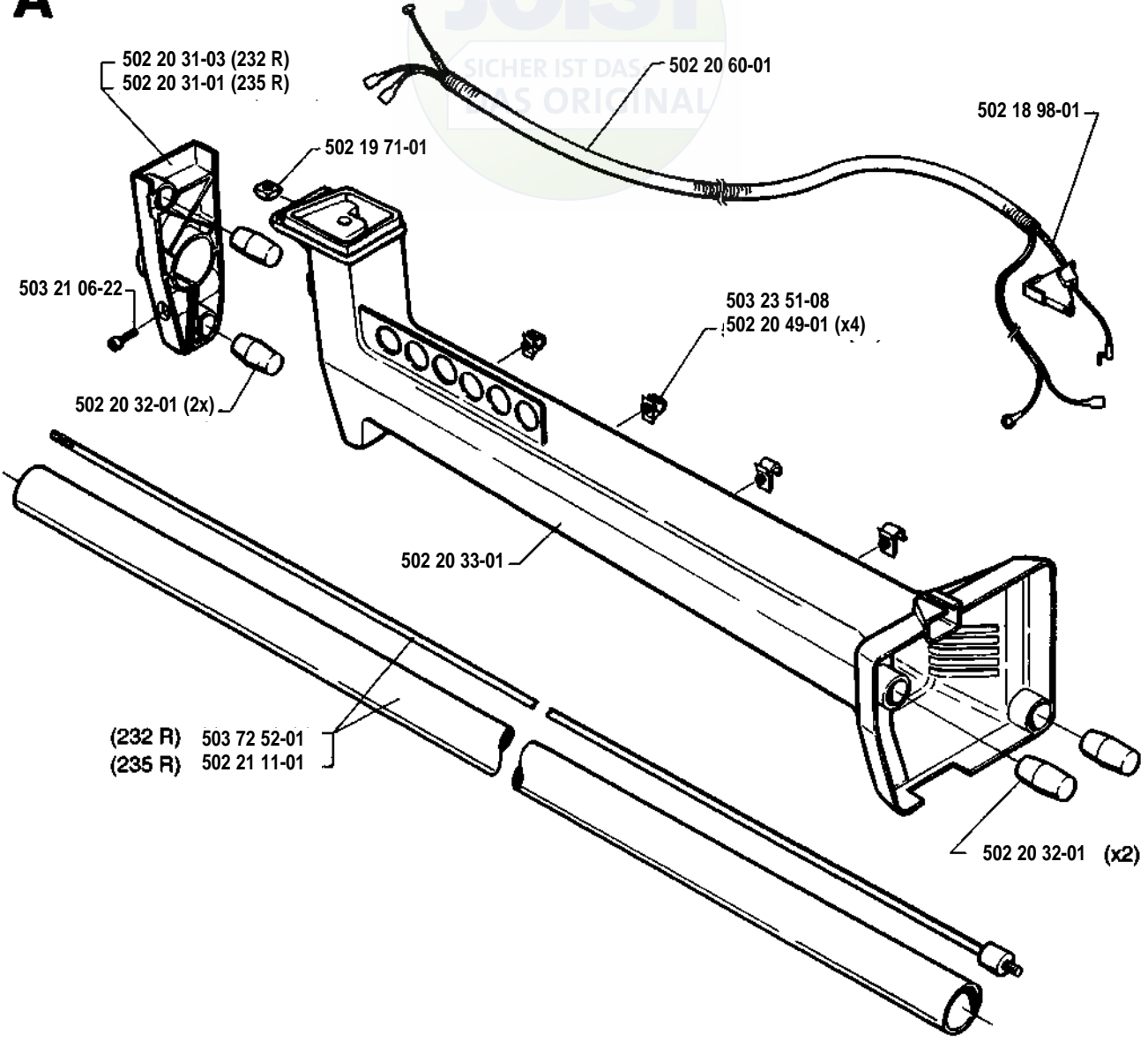
Reemplaza

Ersätter

106 23 72-62

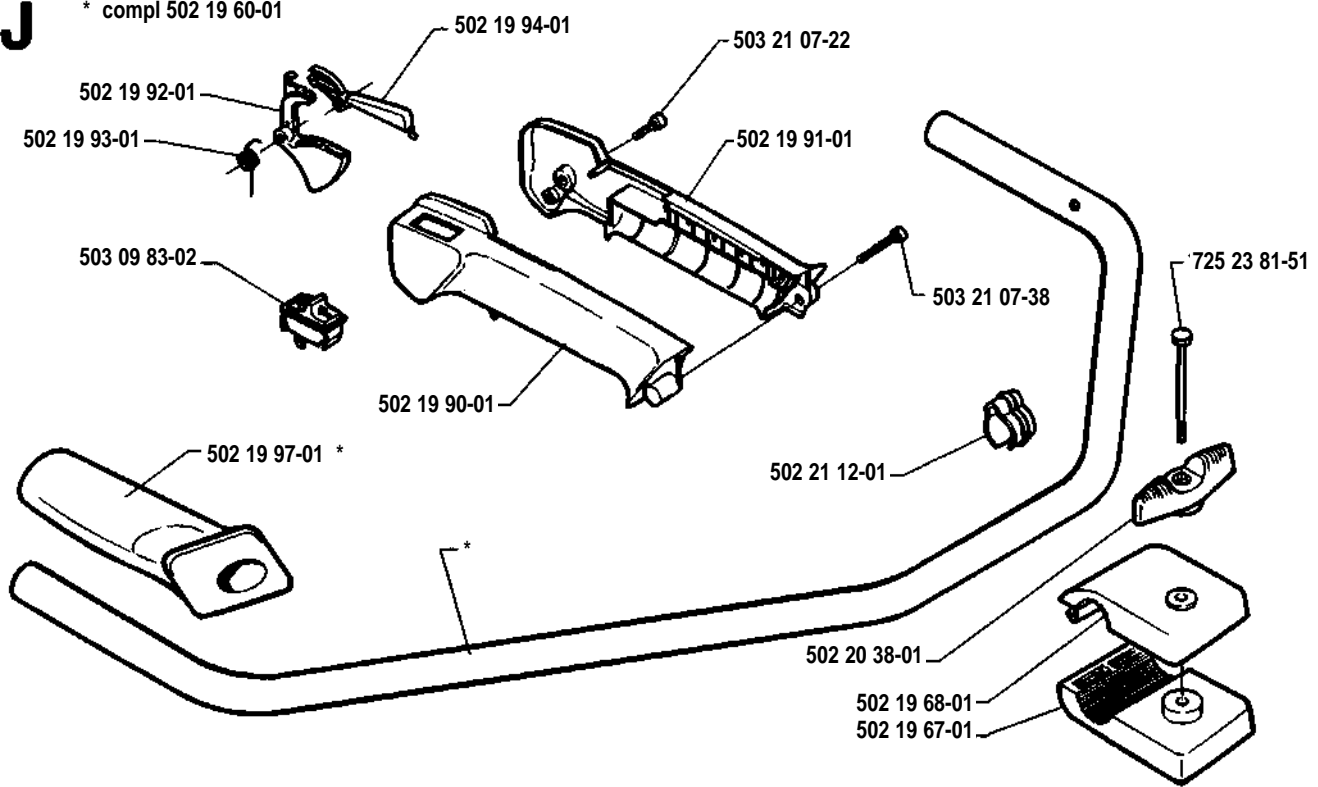
PART NUMBER	SQUARE	NOTE	PART NUMBER	SQUARE	NOTE	PART NUMBER	SQUARE	NOTE	PART NUMBER	SQUARE	NOTE
501 46 69-01	N		502 21 25-01	M		505 52 01-25	N				
501 46 87-01	N		502 21 25-02	M		505 52 01-27	N				
501 48 54-02	H		502 21 26-02	C		506 02 81-01	N				
501 60 02-02	P		502 21 27-01	G		530 01 41-99	L				
501 66 61-01	N		502 21 28-01	G		530 01 52-26	H				
501 66 78-01	N		502 21 29-01	B		530 02 98-05	D				
502 02 28-01	P		502 21 32-01	N		530 03 51-39	N				
502 02 61-02	P		502 21 33-01	N		530 03 51-73	N				
502 03 10-03	B		502 21 34-01	N		530 03 71-60	M				
502 04 55-01	B		502 21 35-01	N		530 03 91-45	H				
502 08 83-02	L		502 21 36-01	N		530 04 20-58	H				
502 10 30-01	N		502 21 37-01	N		530 04 20-59	H				
502 10 31-01	N		502 21 38-01	N		725 23 81-51	J	N			
502 11 46-02	P		502 21 39-01	N		725 53 72-55	L				
502 11 97-01	N		502 21 43-02	D	N	731 23 14-01	K				
502 18 50-01	B		502 21 57-03	F	N	735 31 11-00	Q	N			
502 18 94-02	F		502 21 58-01	P		735 31 25-10	Q	N			
502 18 94-03	F	N	502 21 61-01	E	N	735 31 31-10	Q	N			
502 18 95-01	M		502 21 92-03	Q	N	737 44 10-00	D				
502 18 98-01	A		502 26 23-01	P	N	738 21 99-00	Q	N			
502 19 36-01	B		502 51 27-01	P		738 22 01-19	Q	N			
502 19 59-01	H		503 09 82-01	J							
502 19 60-01	J		503 09 83-02		X						
502 19 62-01	E		503 10 47-01	N							
502 19 67-01	J		503 10 87-01	N							
502 19 68-01	J		503 11 70-01	N							
502 19 71-01	A		503 16 13-02	F							
502 19 78-01	D		503 20 02-20	Q	N						
502 19 84-01	K		503 20 02-25	B							
502 19 85-01	K		503 20 02-30	F							
502 19 86-01	K		503 20 02-65	E							
502 19 88-01	C		503 20 25-16	H							
502 19 89-01	M		503 21 07-22	AFJM							
502 19 90-01	J		503 21 07-47	K							
502 19 91-01	J		503 21 29-06	M							
502 19 92-01	J		503 21 44-25	C							
502 19 93-01	J		503 22 10-11	H							
502 19 94-01	J		503 22 63-01	L							
502 19 97-01	J		503 23 01-01	H							
502 19 98-01	E		503 23 51-08	D							
502 19 99-01	E		503 28 15-05	KN							
502 20 00-01	E		503 28 90-27	D	N						
502 20 06-01	M		503 41 41-01	DG							
502 20 08-01	F		503 52 12-03	F							
502 20 11-01	K		503 57 42-01	N							
502 20 12-01	C		503 61 23-01	N							
502 20 22-01	K		503 61 24-01	N							
502 20 31-01	A		503 62 52-01	N							
502 20 31-03	A	N	503 69 62-01	Q	N						
502 20 32-01	A		503 69 63-01	Q	N						
502 20 33-01	A		503 69 67-01	Q	N						
502 20 38-01	J		503 70 07-01	Q	N						
502 20 40-01	K		503 70 29-01	Q	N						
502 20 49-01	A		503 70 55-01	Q	N						
502 20 64-01	M		503 71 40-01	F	N						
502 20 65-02	K		503 71 48-01	Q	N						
502 20 69-01	A		503 72 52-01	A	N						
502 20 77-01	E		503 72 80-01	D	N						
502 20 87-01	B	N	503 73 63-03	P	N						
502 20 88-01	D		503 73 63-04	P	N						
502 20 89-01	E		503 75 34-01	Q	N						
502 21 06-01	L		504 13 08-08	N							
502 21 08-01	M		504 13 09-06	N							
502 21 09-01	D		504 21 00-49	N							
502 21 10-02	L		504 21 00-50	N							
502 21 11-01	A		505 31 67-17	N							
502 21 14-01	P		505 31 67-45	N							
502 21 17-01	P		505 31 67-54	N							
502 21 17-02	P		505 31 67-82	N							
502 21 23-01	K		505 52 01-10	N							

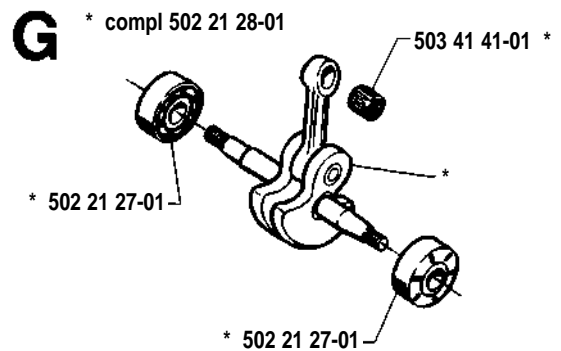
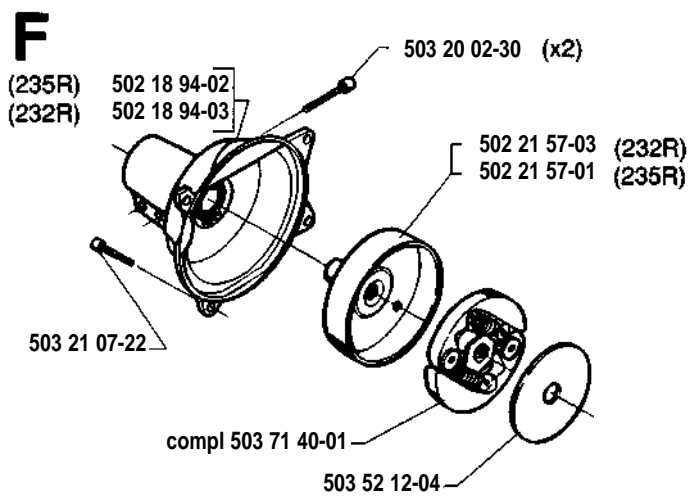
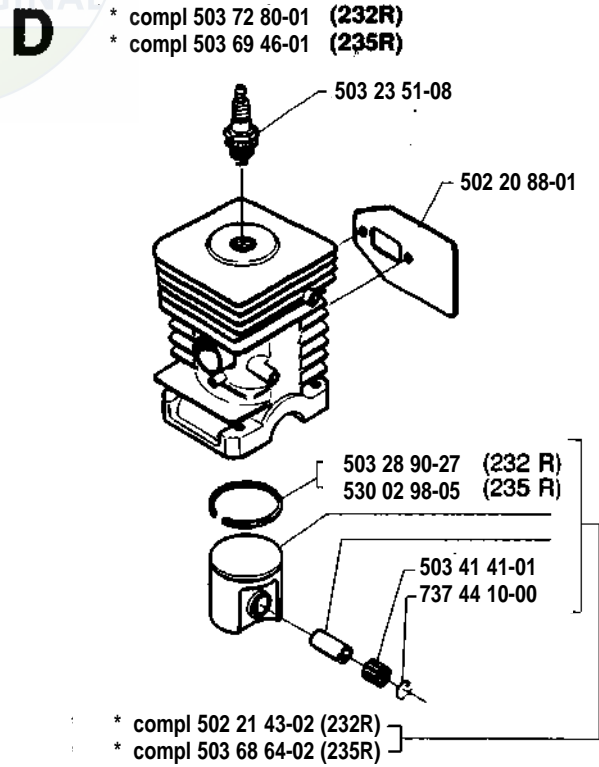
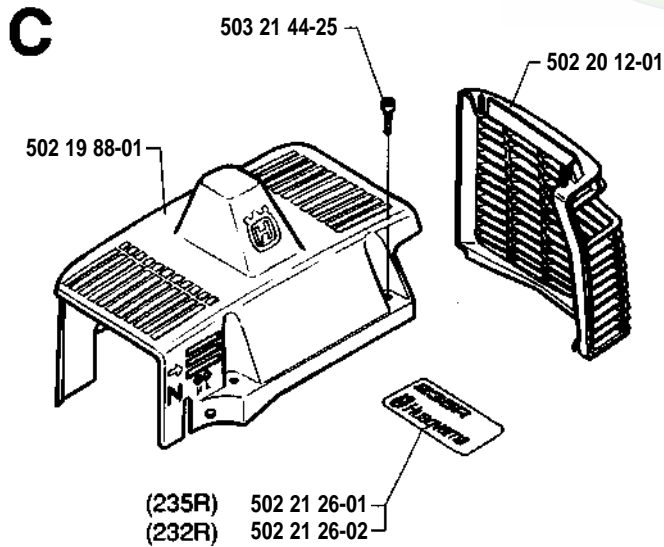
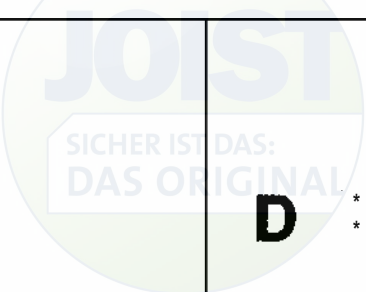
A

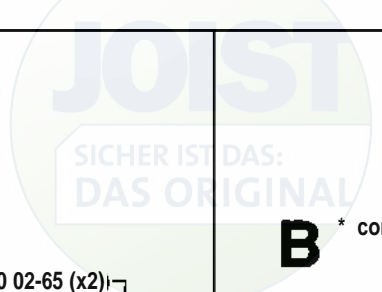


J

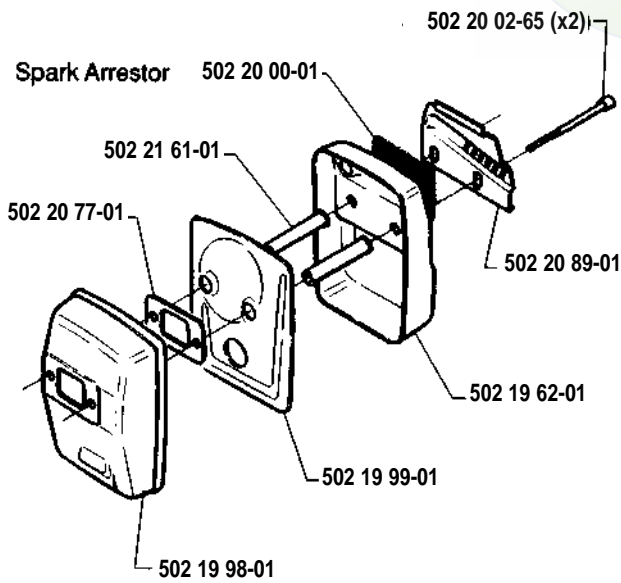
* compl 502 19 60-01







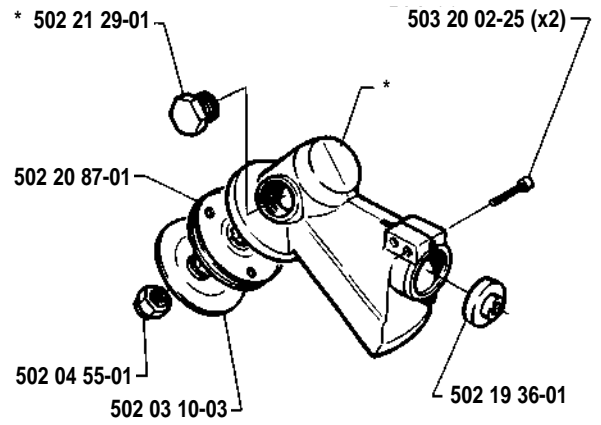
E



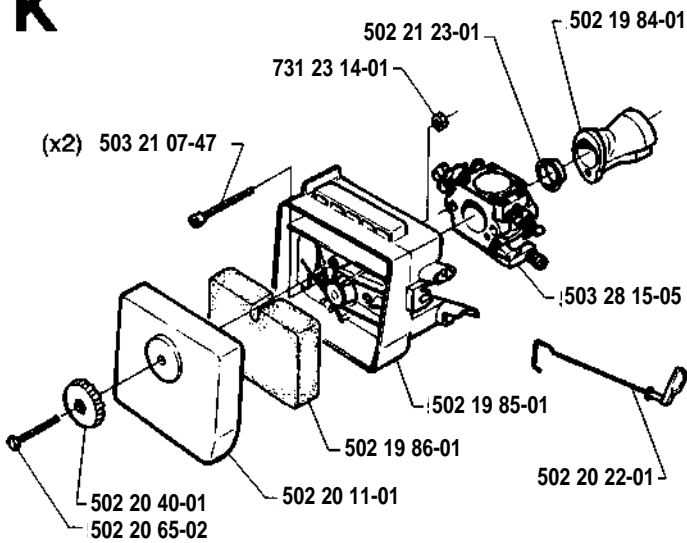
B

* compl 502 18 50-01

235R

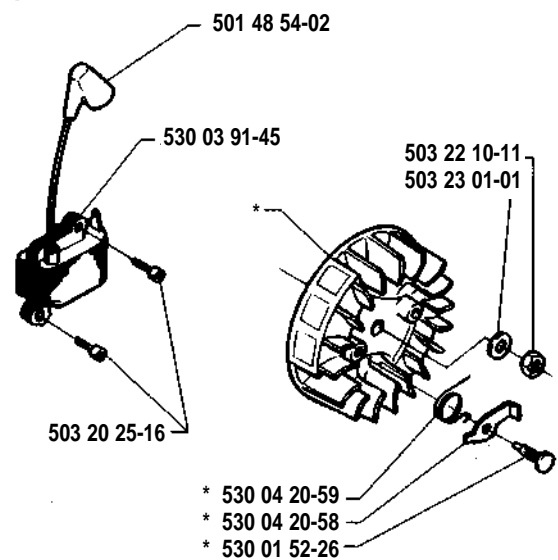


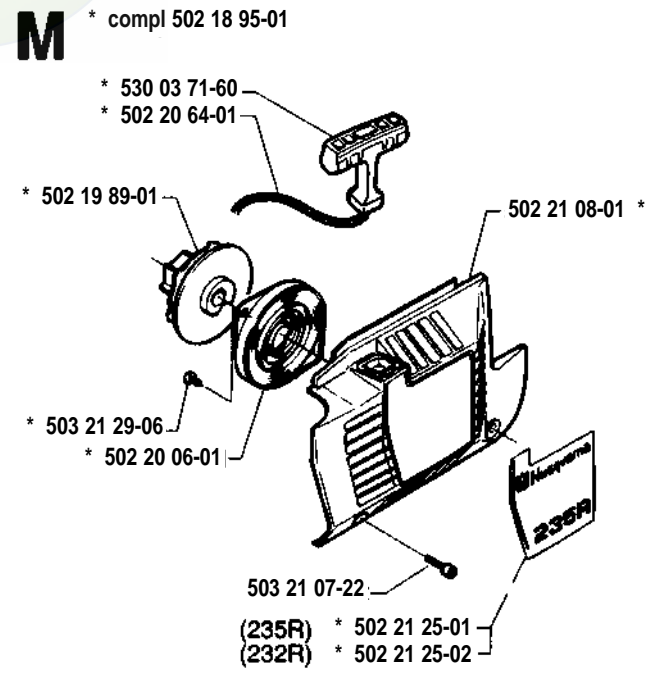
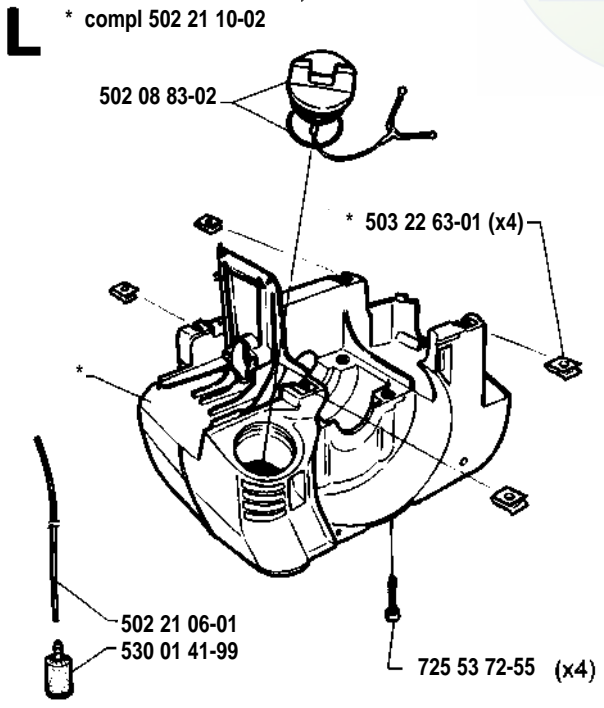
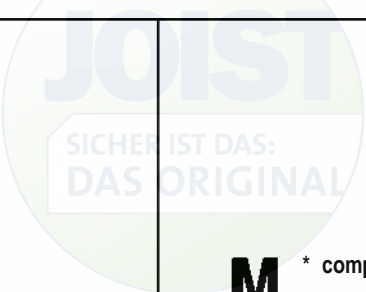
K



H

* compl 502 19 59-01

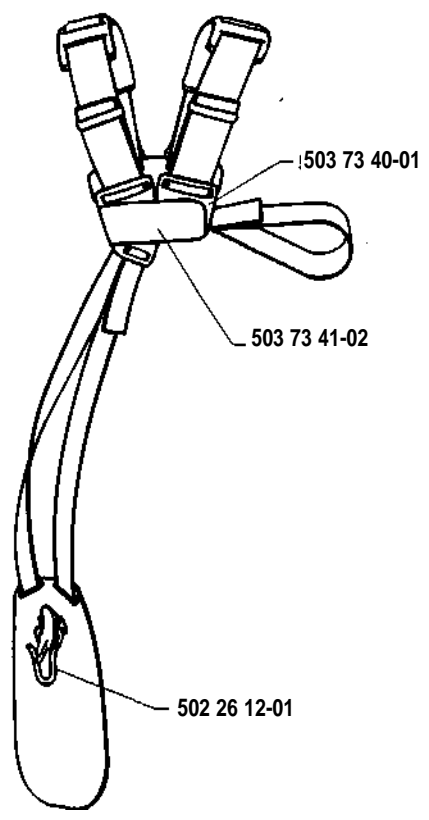
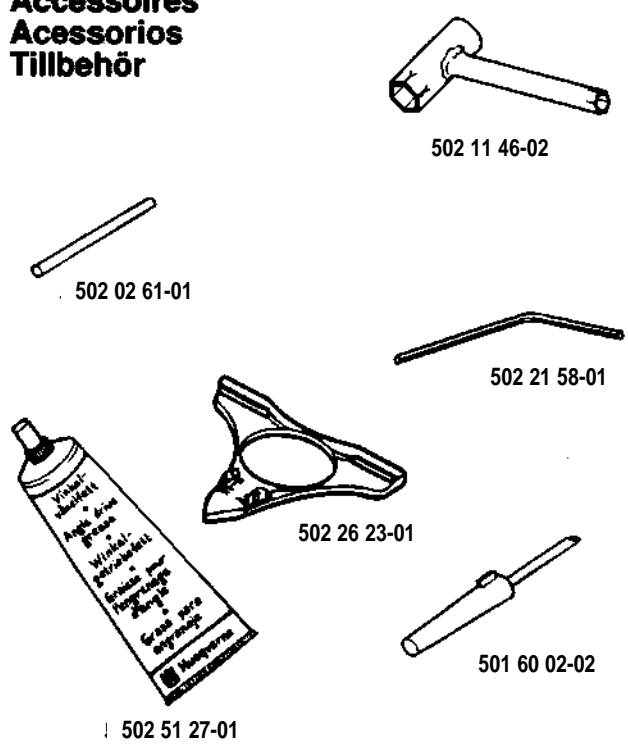




P

Accessories
Zubehöre
Accessoires
Accesorios
Tillbehör

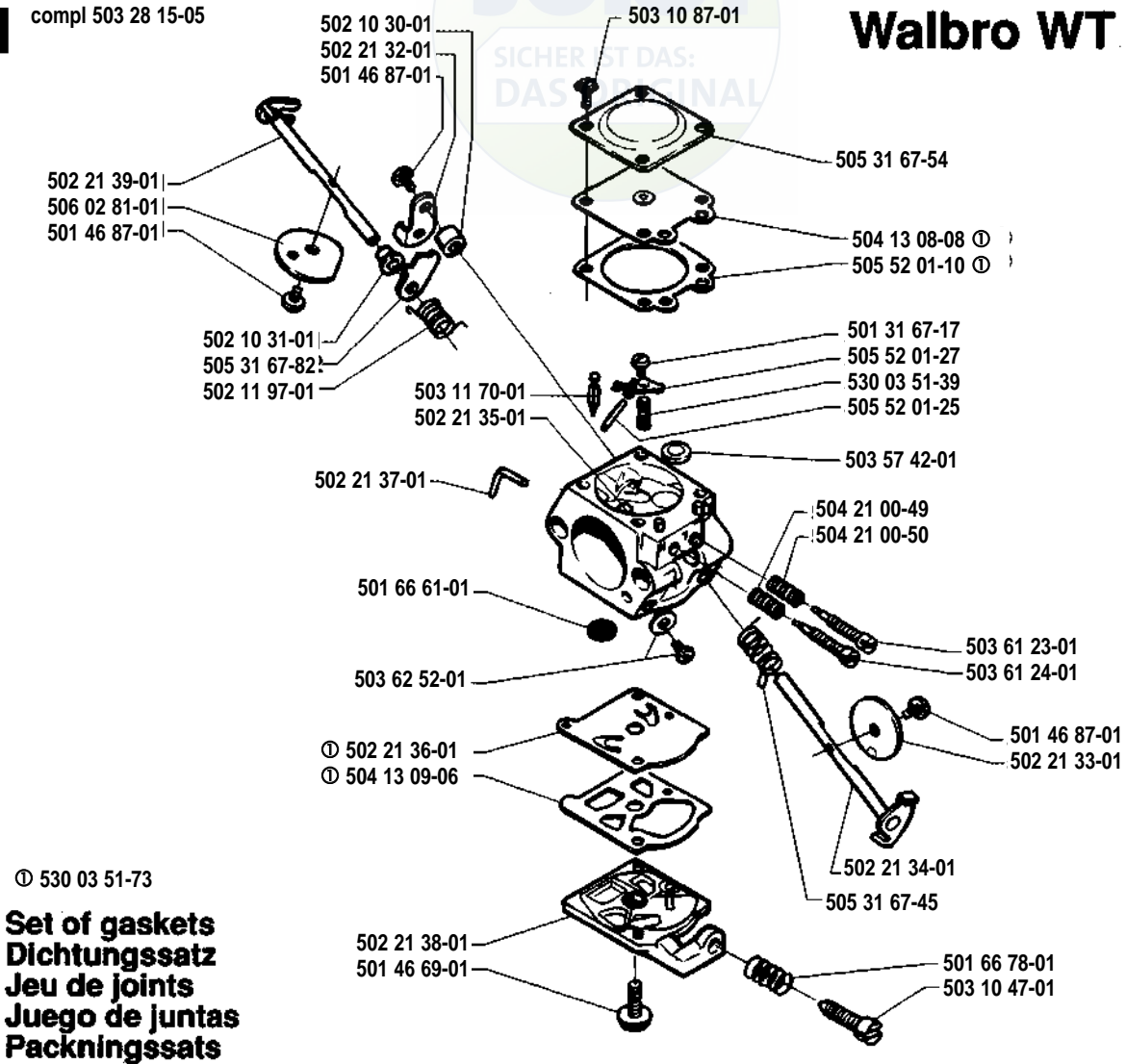
compl 503 73 63-03
 compl 503 73 63-04 (USA)



N

compl 503 28 15-05

Walbro WT 235



Q

compl 502 21 92-03

232R

