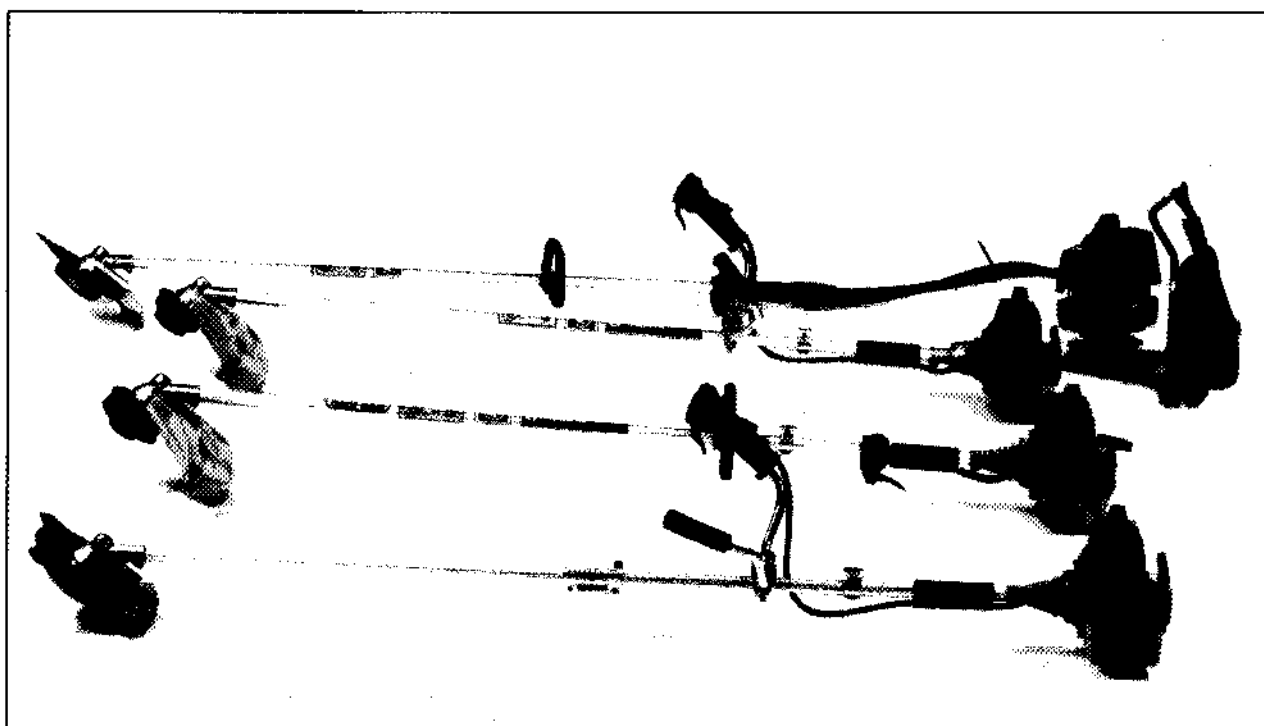


# **22R/RL/LD**

# **25R/RL/RD/BL/BT**



**1. 1990**

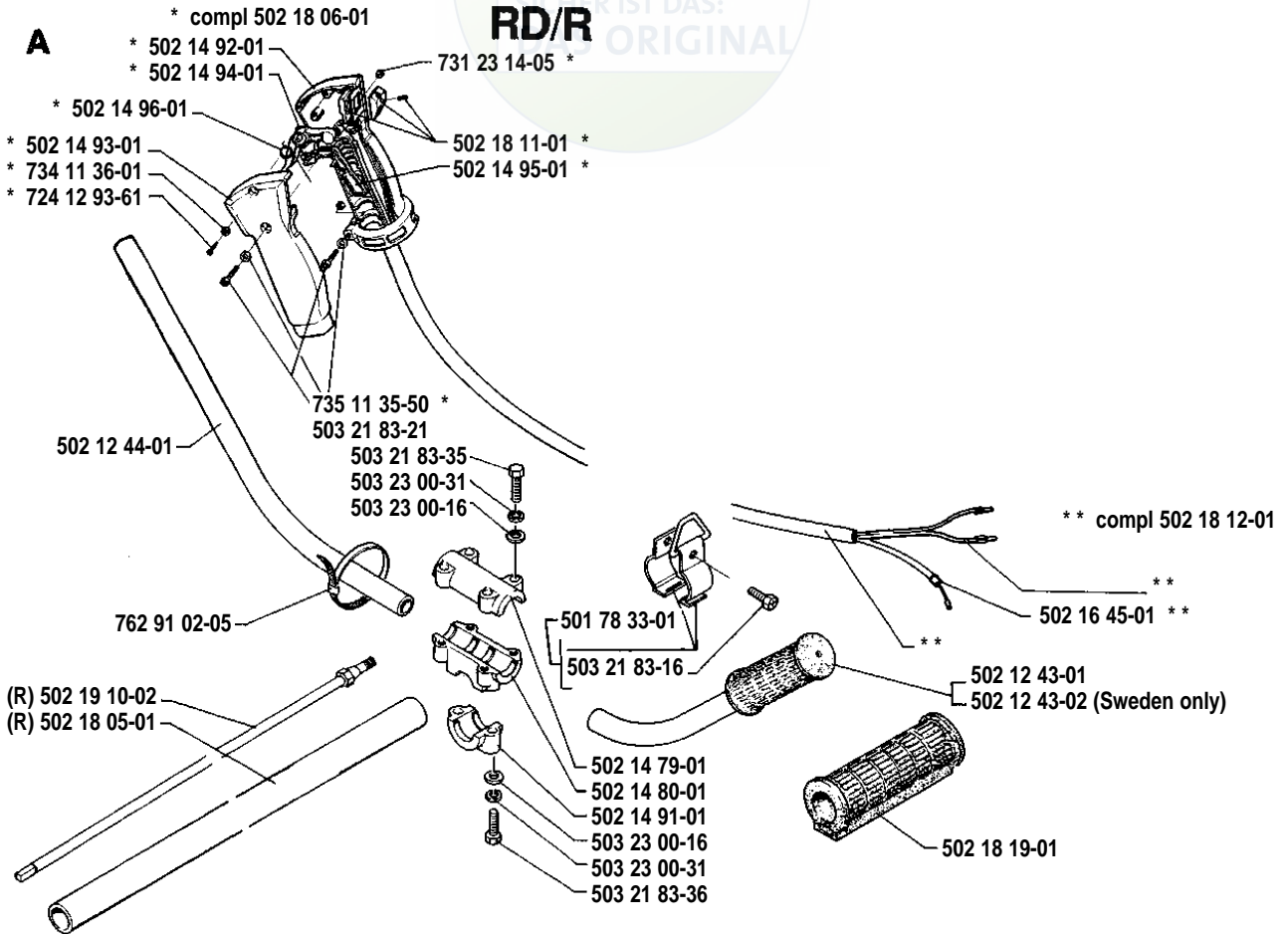
**Spare parts**

**Ersatzteile**

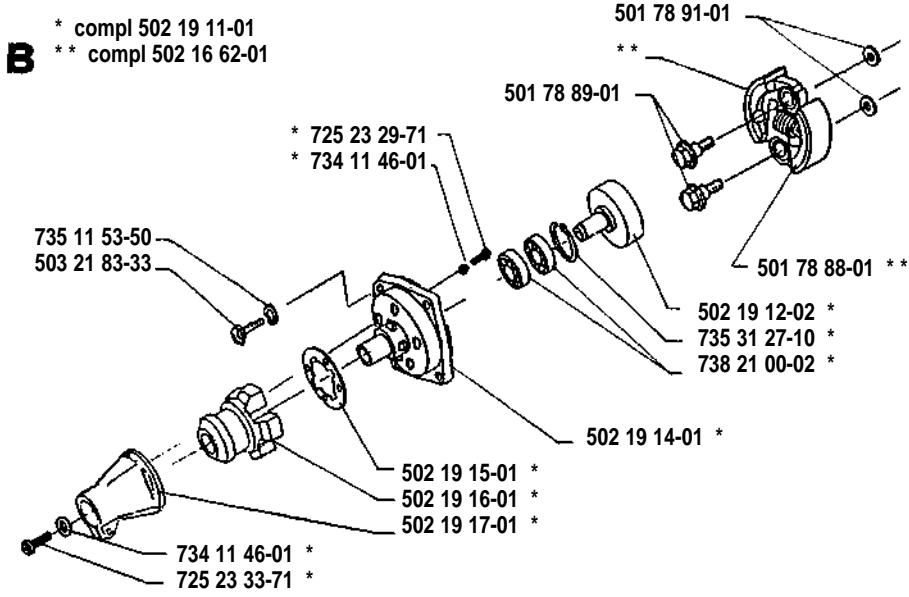
**Pièces de rechange**

**Reservdelar**

## A

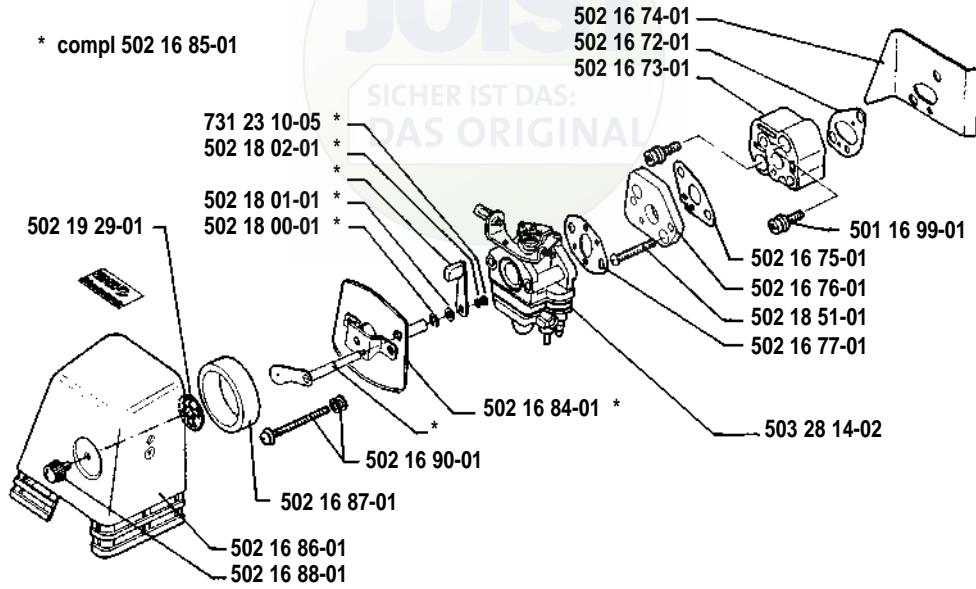


## B

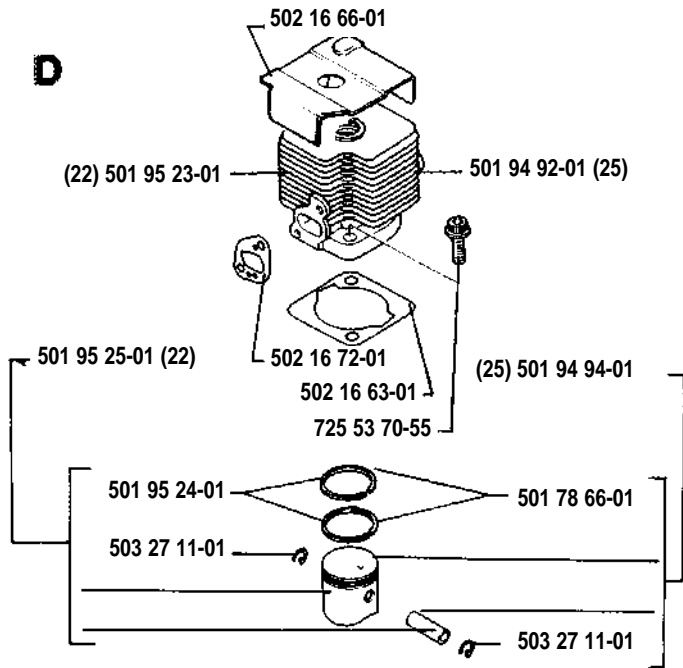


**C**

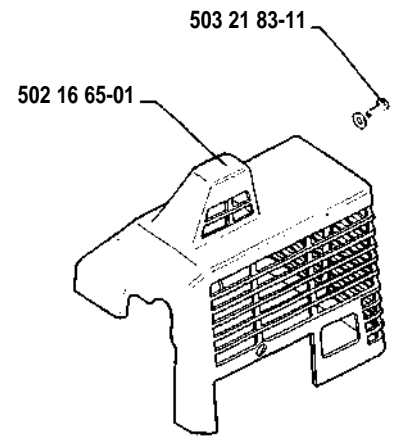
\* compl 502 16 85-01



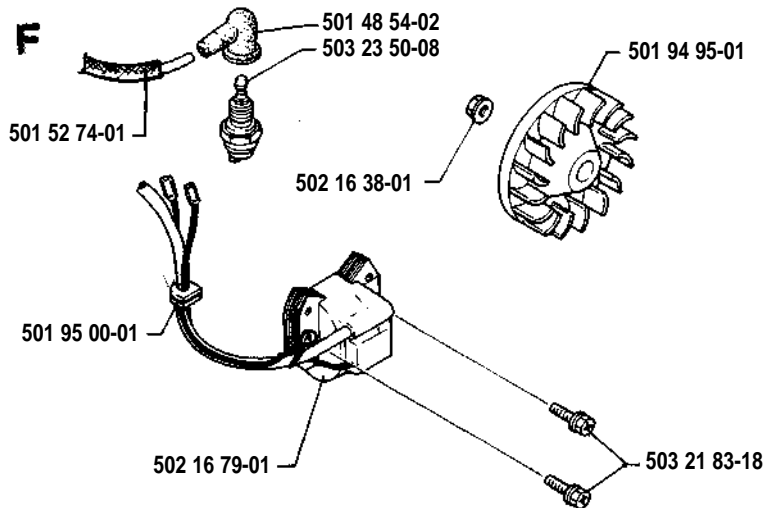
**D**



**E**

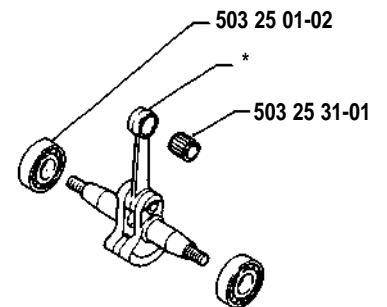


**F**

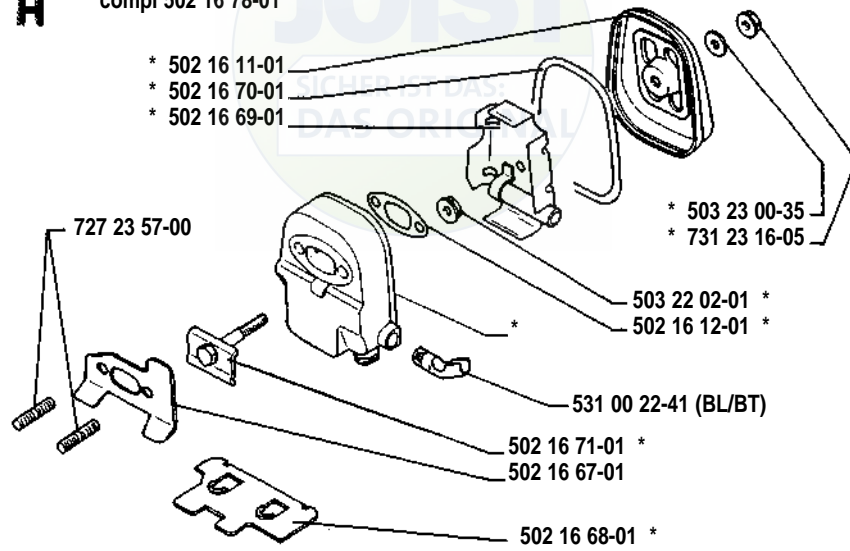


**G**

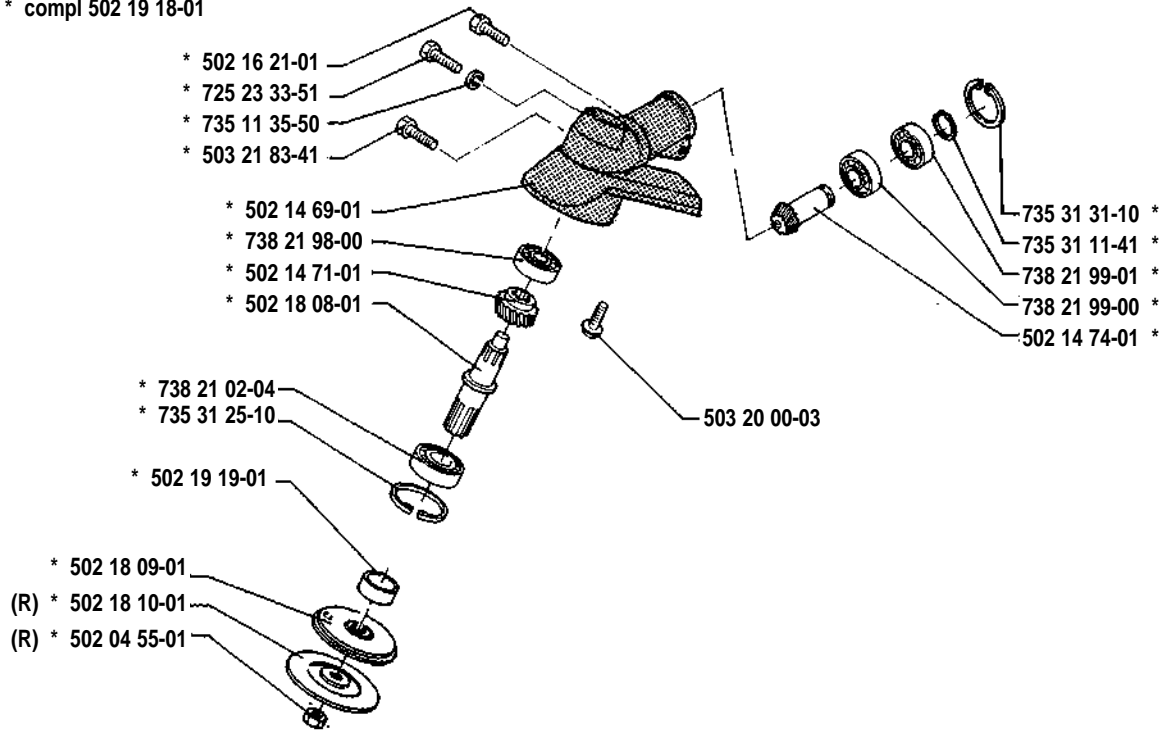
\* compl 501 94 96-01



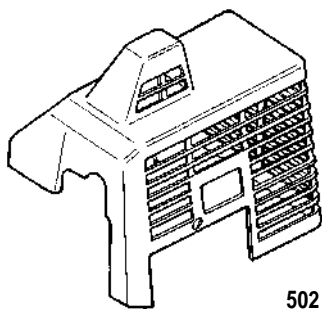
**H** \* compl 502 16 78-01



**J** \* compl 502 19 18-01



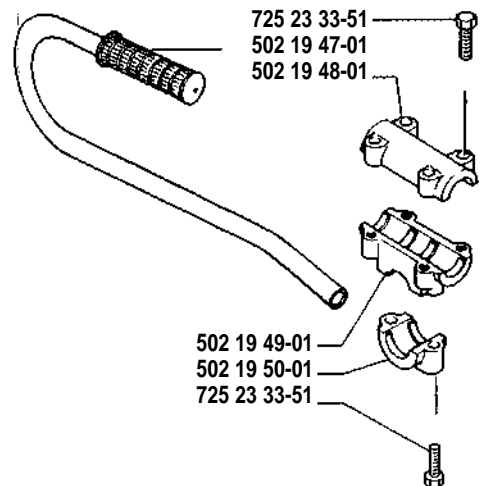
**P**



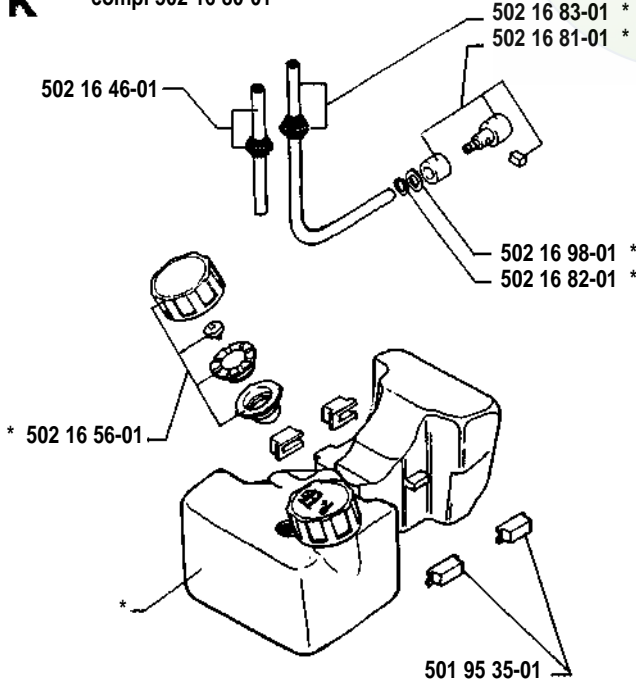
502 16 91-01

**SA**

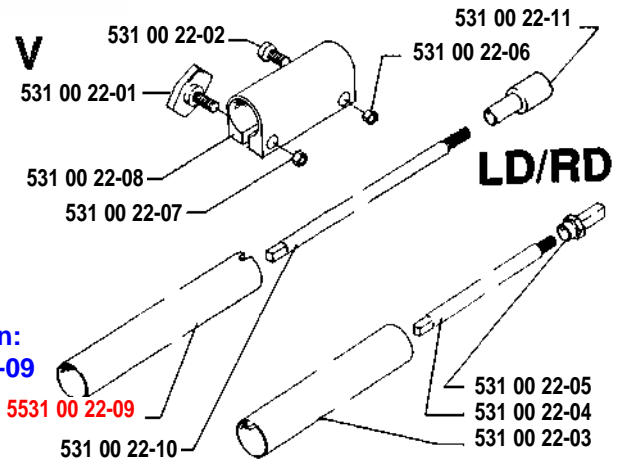
**S**



**K** \* compl 502 16 80-01



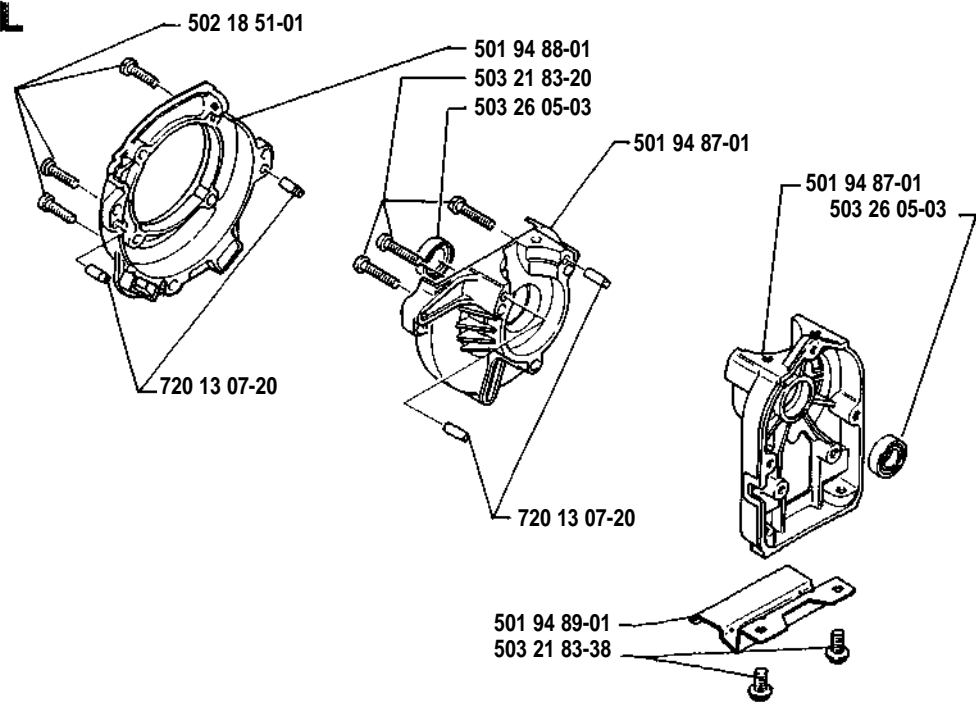
**V**



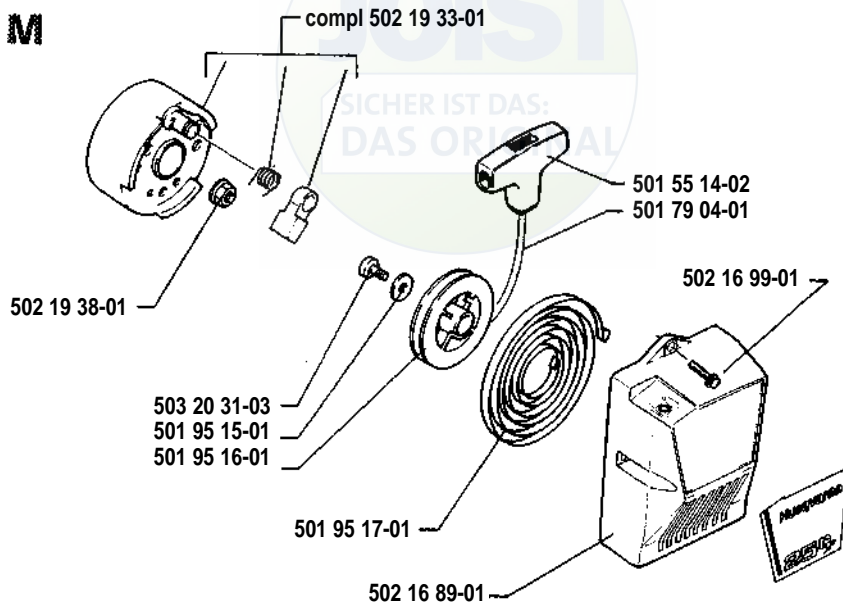
**Correction:**  
 531 00 22-09

531 00 22-09

**L**

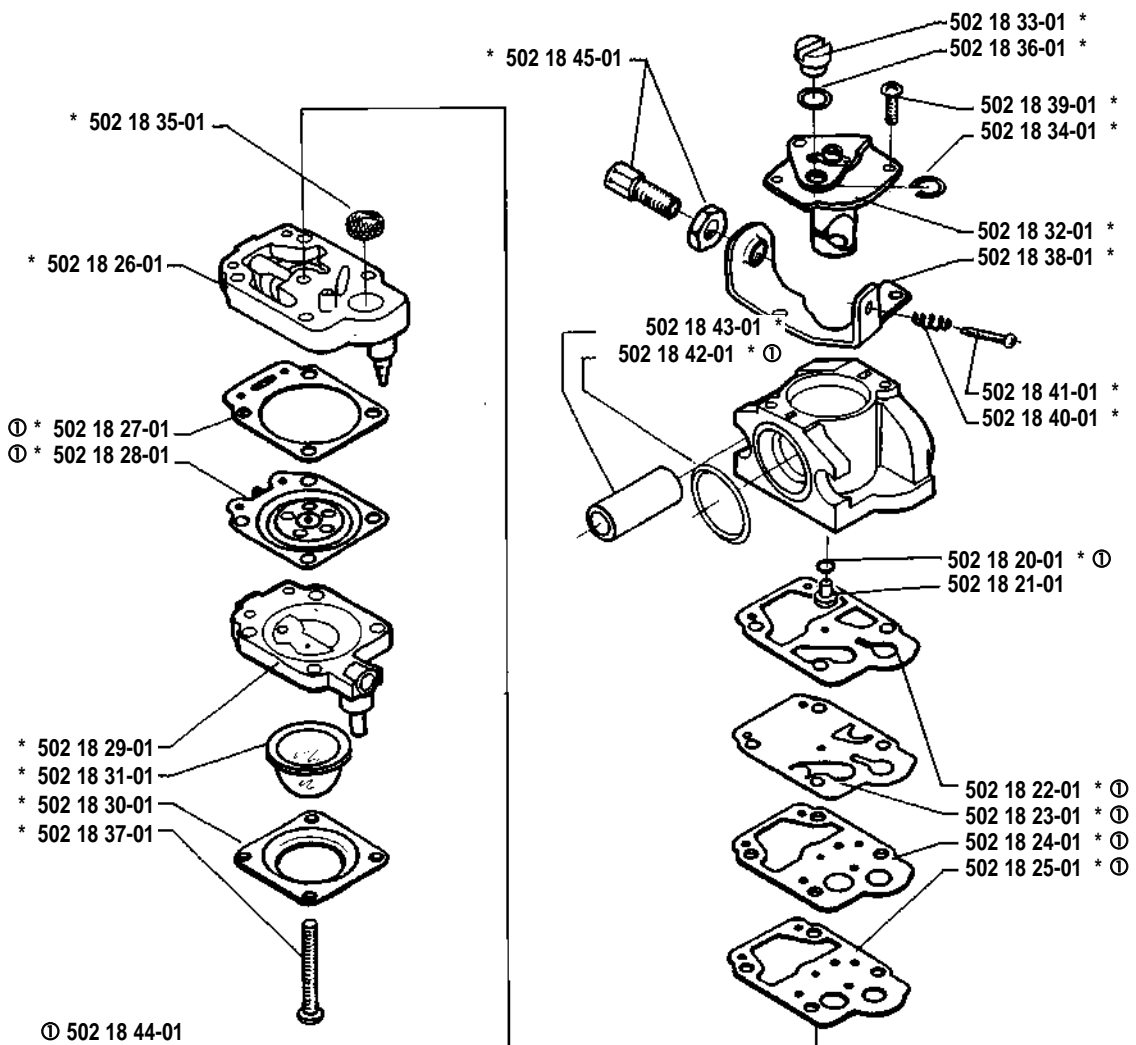


**M**



**N** \* compl 503 28 14-02

# Walbro WY 55

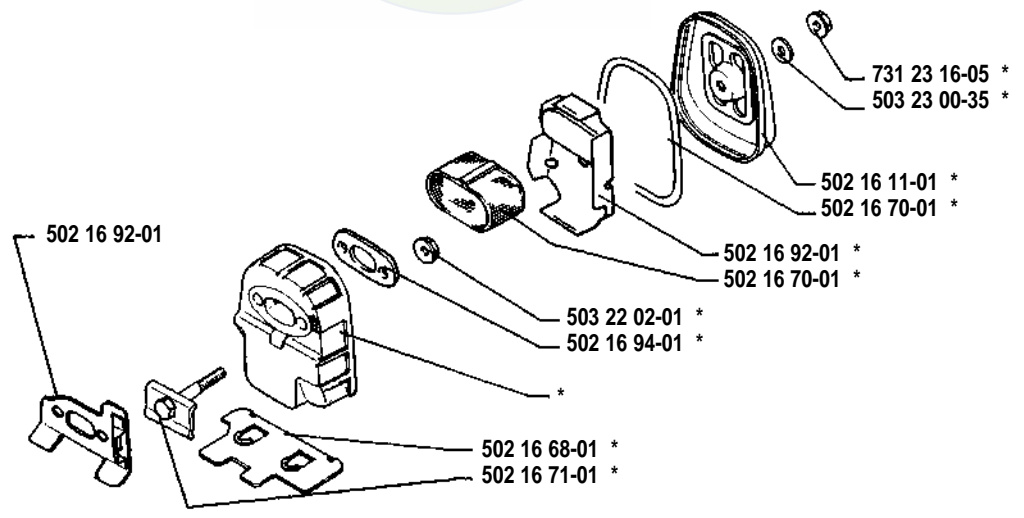


**Set of gaskets**  
**Dichtungssatz**  
**Jeu de joints**  
**Juego de juntas**  
**Packningssats**



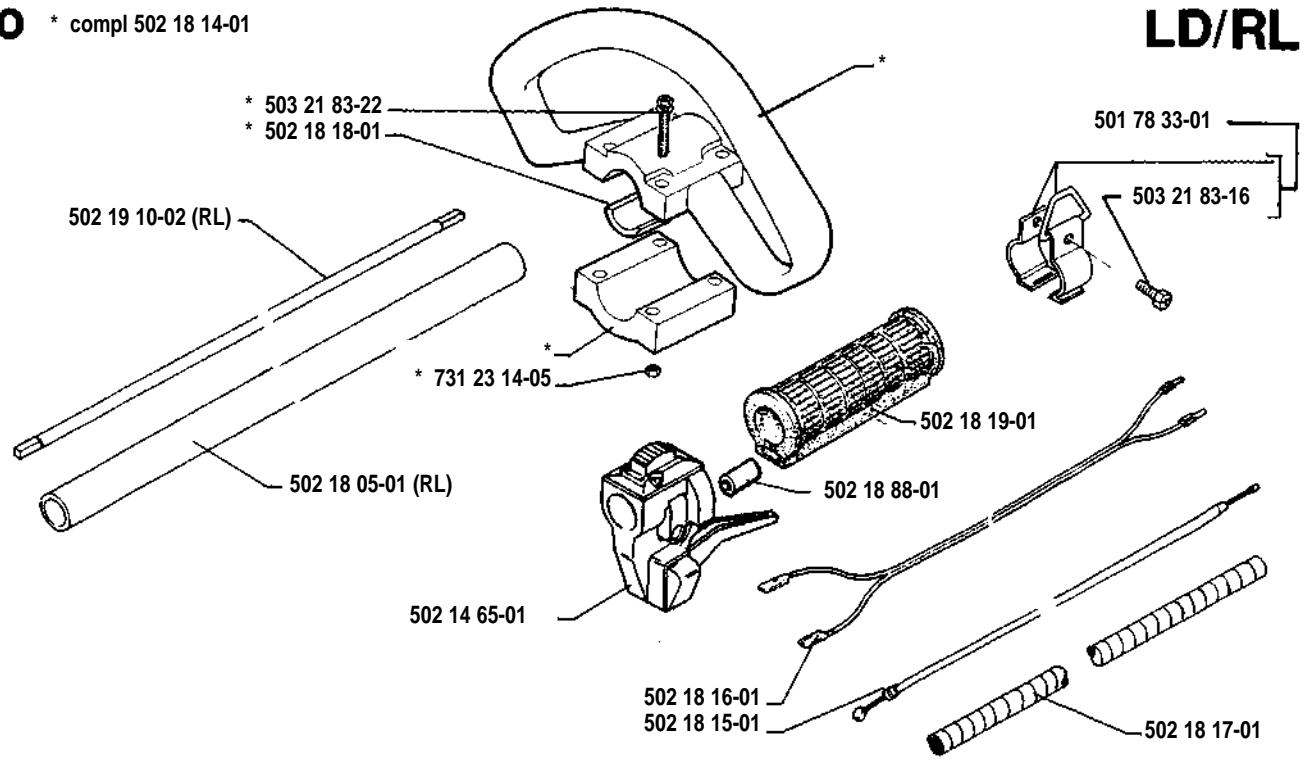
**R** \* compl 502 16 93-01

**SA (Spark arrestor)**



**O** \* compl 502 18 14-01

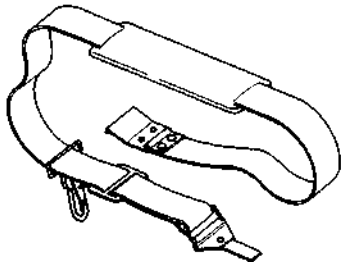
**LD/RL**



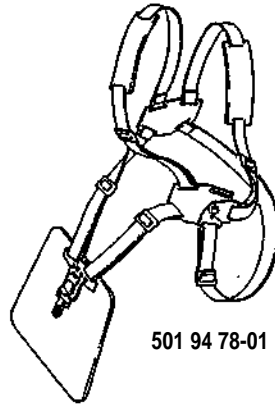


Q

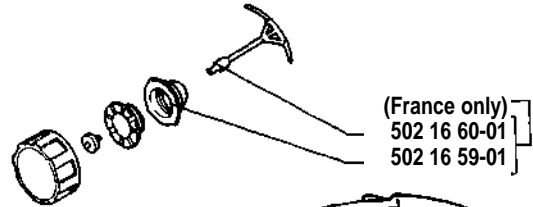
Accessoires  
Zubehöre  
Accessoires  
Accesorios  
Tillbehör



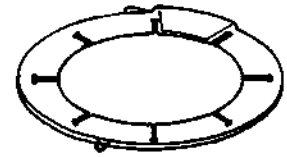
501 78 40-01



501 94 78-01



(France only)  
502 16 60-01  
502 16 59-01



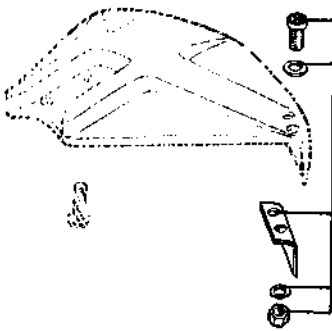
502 18 13-01



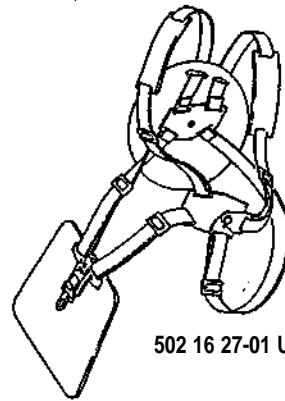
501 69 17-01



501 31 40-01



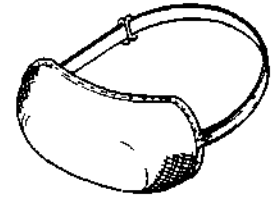
501 92 77-01



502 16 27-01 USA



502 02 61-01

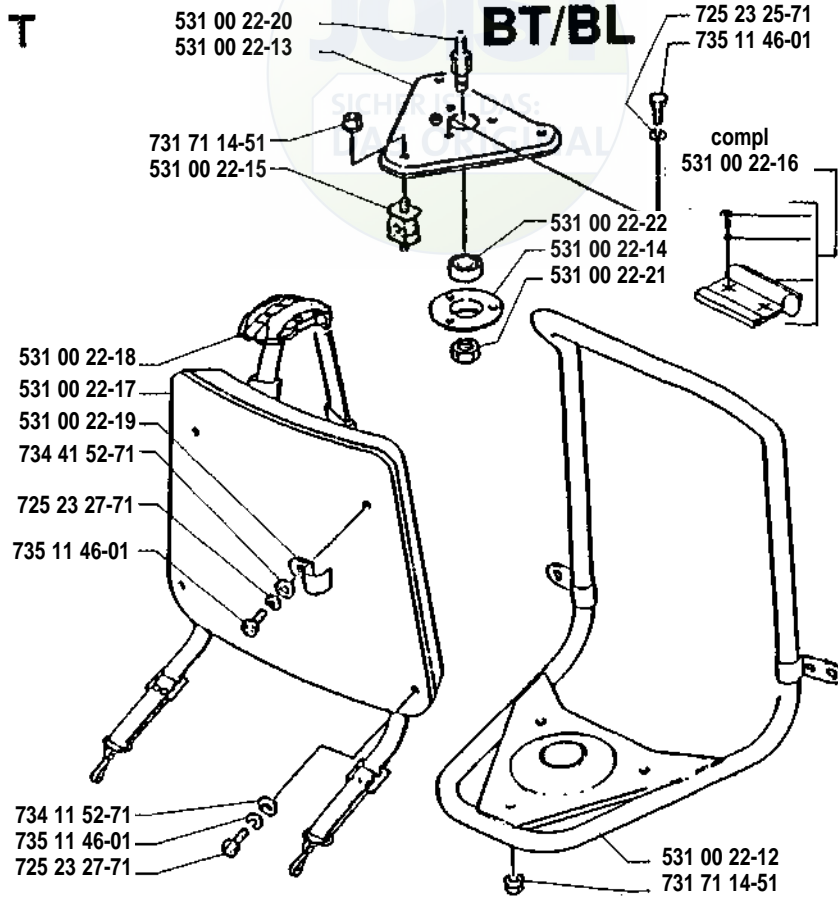


501 95 49-01



T

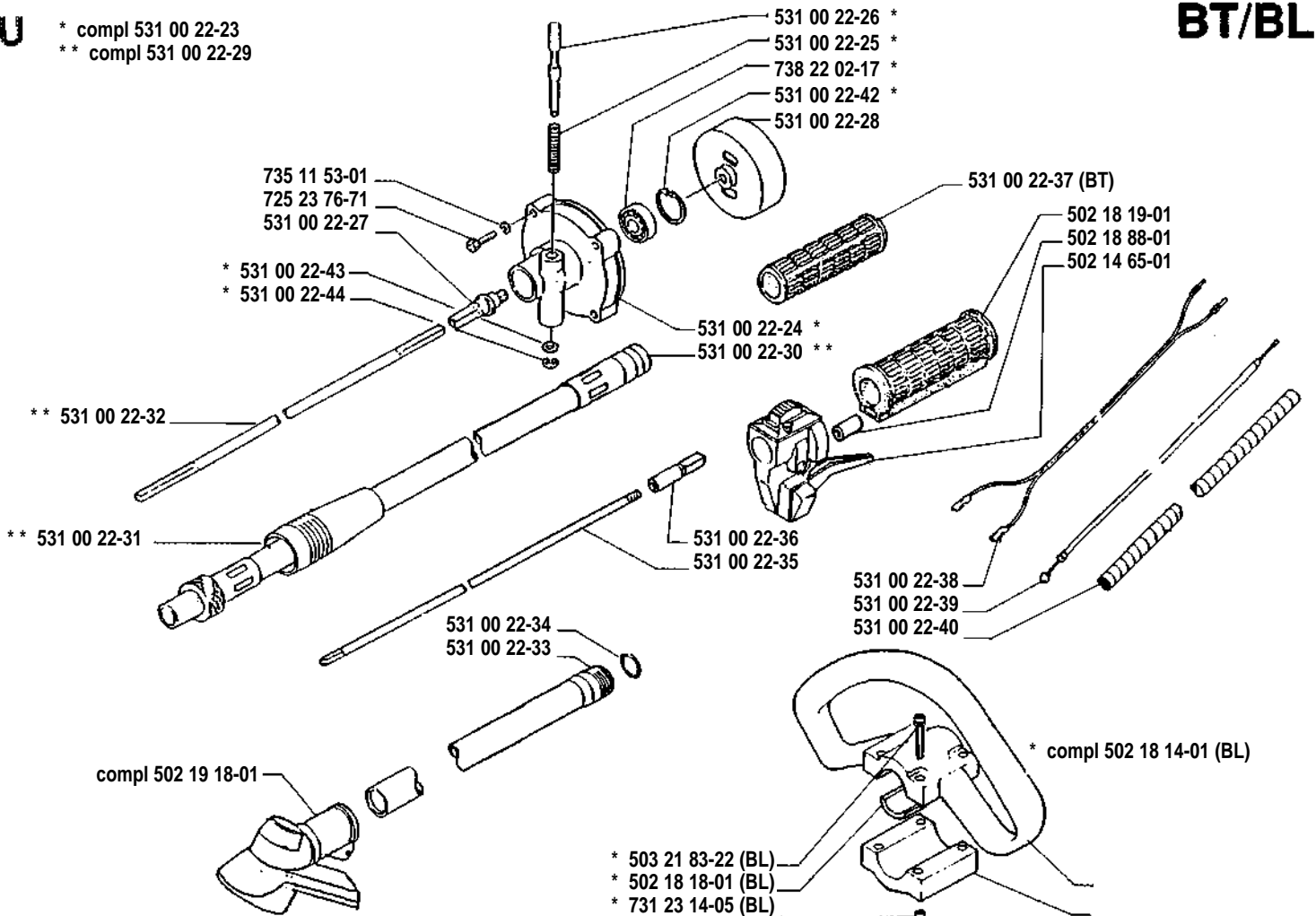
BT/BL



U

BT/BL

\* compl 531 00 22-23  
\*\* compl 531 00 22-29



MODEL NUMBER 22/25

PARTNUMBER	SQUARE	NOTE	PARTNUMBER	SQUARE	NOTE	PARTNUMBER	SQUARE	NOTE	PARTNUMBER	SQUARE	NOTE
501 31 40-01	Q		502 16 77-01	C		502 19 14-01	B		531 00 22-33	U	
501 48 54-02	F		502 16 78-01	H		502 19 15-01	B		531 00 22-34	U	
501 52 74-01	F		502 16 79-01	F		502 19 16-01	B		531 00 22-35	U	
501 55 14-02	M		502 16 80-01	K		502 19 17-01	B		531 00 22-36	U	
501 69 17-01	Q		502 16 81-01	K		502 19 18-01	J, U		531 00 22-37	U	
501 78 31-01	A, O		502 16 82-01	K		502 19 19-01	J		531 00 22-38	U	
501 78 33-01	A, O		502 16 83-01	K		502 19 29-01	C		531 00 22-39	U	
501 78 40-01	Q		502 16 84-01	C		502 19 30-01	Q		531 00 22-40	U	
501 78 66-01	D		502 16 85-01	C		502 19 32-01	G		531 00 22-41	H	
			502 16 86-01	C		502 19 33-01	M		531 00 22-42	U	
501 78 88-01	B		502 16 87-01	C		502 19 38-01	F		531 00 22-43	U	
501 78 89-01	B		502 16 88-01	C		502 19 47-01	S		531 00 22-44	U	
501 78 91-01	B		502 16 89-01	M		502 19 48-01	S		720 13 07-20	L	
501 79 04-01	M		502 16 90-01	C		502 19 49-01	S		724 12 93-61	A	
501 92 77-01	Q		502 16 91-01	P		502 19 50-01	S		725 23 25-71	T	
501 94 78-01	Q		502 16 92-01	R		502 20 00-03	J		725 23 27-71	T	
501 94 87-01	L		502 16 93-01	R		503 20 31-03	M		725 23 29-71	B	
501 94 88-01	L		502 16 94-01	R		503 21 83-11	E		725 23 33-51	J, S	
501 94 89-01	L		502 16 95-01	R		503 21 83-16	A, O		725 23 33-71	B	
501 94 92-01	D		502 16 96-01	R		503 21 83-18	F		725 23 76-71	U	
501 94 94-01	D		502 16 98-01	K		503 21 83-20	L		725 53 70-55	D	
501 94 95-01	F		502 16 99-01	C, M		503 21 83-21	A		727 23 57-00	H	
501 95 00-01	F		502 18 00-01	C		503 21 83-22	O, U		731 23 10-05	C	
501 95 15-01	M		502 18 01-01	C		503 21 83-33	B		731 23 14-05	A, O, U	
501 95 16-01	M		502 18 02-01	C		503 21 83-35	A		731 23 16-05	H, R	
501 95 17-01	M		502 18 05-01	A, O		503 21 83-36	A		731 71 14-51	T	
501 95 23-01	D		502 18 06-01	A		503 21 83-38	L		734 11 36-01	A	
501 95 24-01	D		502 18 08-01	J		503 21 83-41	J		734 11 46-01	B	
501 95 25-01	D		502 18 09-01	J		503 22 02-01	H, R		734 11 52-71	T	
501 95 35-01	K		502 18 10-01	J		503 23 00-16	A		735 11 35-50	A, J	
501 95 49-01	Q		502 18 11-01	A		503 23 00-31	A		735 11 46-01	T	
502 02 61-01	Q		502 18 12-01	A		503 23 00-35	H, R		735 11 53-01	U	
502 04 55-01	J		502 18 13-01	Q		503 23 50-08	F		735 11 53-50	B	
502 12 43-01	A		502 18 14-01	O		503 25 01-02	G		735 31 11-41	J	
502 12 43-02	A		502 18 15-01	O		503 25 31-01	G		735 31 25-10	J	
502 12 44-01	A		502 18 16-01	O		503 26 05-03	L		735 31 27-10	B	
502 14 65-01	O, U		502 18 17-01	O		503 27 11-01	D		735 31 31-10	J	
502 14 69-01	J		502 18 18-01	O, U		503 28 14-02	C, N		738 21 02-04	J	
502 14 71-01	J		502 18 19-01	A, O, U		531 00 22-01	V		738 21 98-00	J	
502 14 74-01	J		502 18 20-01	N		531 00 22-02	V		738 21 99-00	J	
502 14 79-01	A		502 18 21-01	N		531 00 22-03	V		738 21 99-01	J	
502 14 80-01	A		502 18 22-01	N		531 00 22-04	V		738 22 02-17	U	
502 14 81-01	A		502 18 23-01	N		531 00 22-05	V		762 91 02-05	A	
502 14 92-01	A		502 18 24-01	N		531 00 22-06	V				
502 14 93-01	A		502 18 25-01	N		531 00 22-07	V				
502 14 94-01	A		502 18 26-01	N		531 00 22-08	V				
502 14 95-01	A		502 18 27-01	N		531 00 22-09	V				
502 14 96-01	A		502 18 28-01	N		531 00 22-10	V				
502 16 11-01	H, R		502 18 29-01	N		531 00 22-11	V				
502 16 12-01	H		502 18 30-01	N		531 00 22-12	T				
502 16 21-01	J		502 18 31-01	N		531 00 22-13	T				
502 16 45-01	A		502 18 32-01	N		531 00 22-14	T				
502 16 46-01	K		502 18 33-01	N		531 00 22-15	T				
502 16 56-01	K		502 18 34-01	N		531 00 22-16	T				
502 16 59-01	Q		502 18 35-01	N		531 00 22-17	T				
502 16 60-01	Q		502 18 36-01	N		531 00 22-18	T				
502 16 62-01	B		502 18 37-01	N		531 00 22-19	T				
502 16 63-01	D		502 18 38-01	N		531 00 22-20	T				
502 16 65-01	E		502 18 39-01	N		531 00 22-21	T				
502 16 66-01	D		502 18 40-01	N		531 00 22-22	T				
502 16 67-01	H		502 18 41-01	N		531 00 22-23	U				
502 16 68-01	H, R		502 18 42-01	N		531 00 22-24	U				
502 16 69-01	H		502 18 43-01	N		531 00 22-25	U				
502 16 70-01	H, R		502 18 44-01	N		531 00 22-26	U				
502 16 71-01	H, R		502 18 45-01	N		531 00 22-27	U				
502 16 72-01	C, D		502 18 51-01	C, L		531 00 22-28	U				
502 16 73-01	C		502 18 88-01	O, U		531 00 22-29	U				
502 16 74-01	C		502 19 10-02	A, O		531 00 22-30	U				
502 16 75-01	C		502 19 11-01	B		531 00 22-31	U				
502 16 76-01	C		502 19 12-02	B		531 00 22-32	U				