



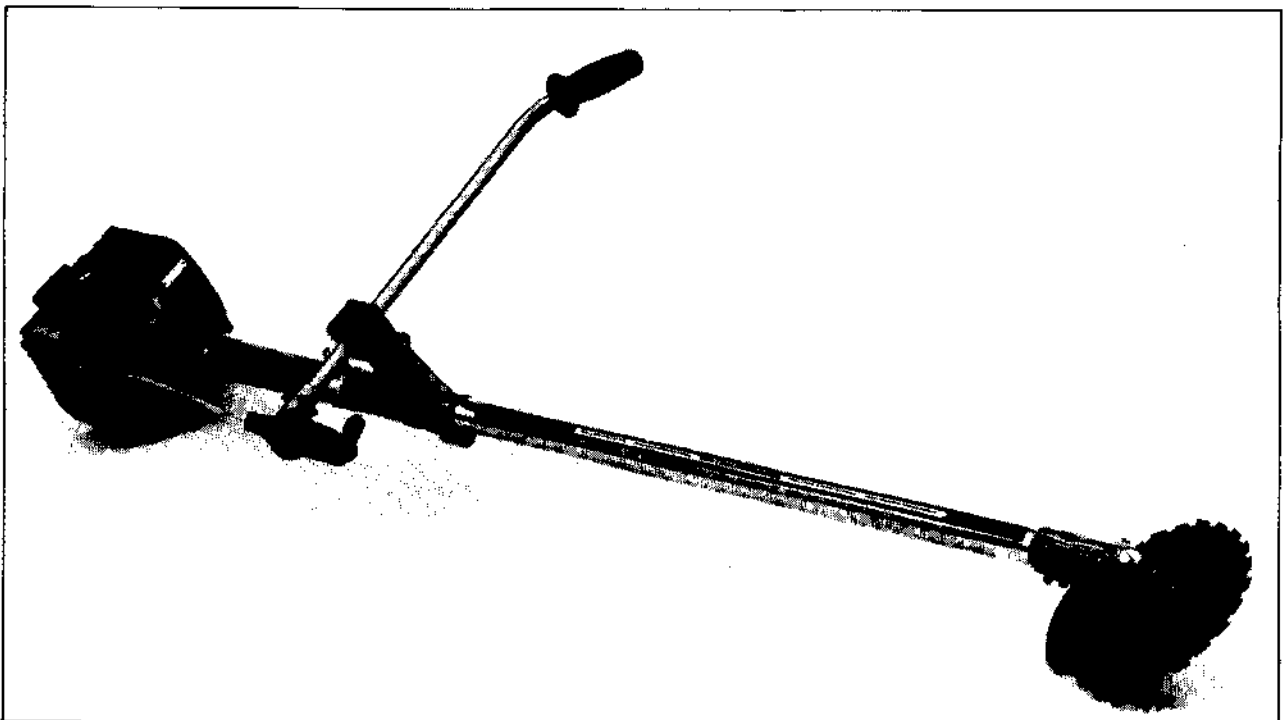
For Husqvarna Parts Call 606-678-9623 or 606-561-4983



<b>SERVICE</b> 		<b>13</b>
		SX 85.103

JAN 9 1986

# 165R



**1. 1985**

**Reservdelar**

**Spare parts**

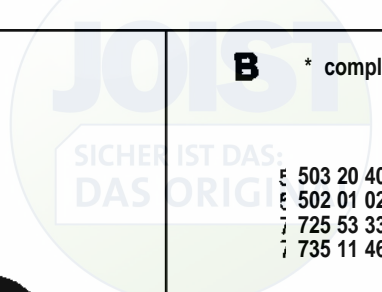
**Ersatzteile**

**Pièces de rechange**

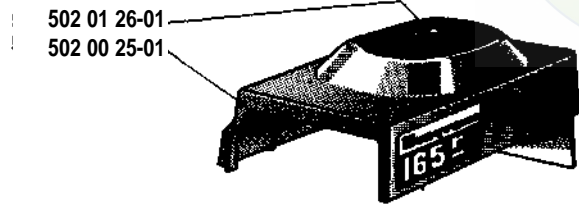


Beställn.-nummer Part number Best. Nr No de commande Varaosä n:ro	Ruta Box Viereck Carreau Index	Anm. Remarks Anm. Notes Huom	Beställn.-nummer Part number Best. Nr No de commande Varaosä n:ro	Ruta Box Viereck Carreau Index	Anm. Remarks Anm. Notes Huom	Beställn.-nummer Part number Best. nr No de commande Varaosä n:ro	Ruta Box Viereck Carreau Index	Anm. Remarks Anm. Notes Huom
112 70 43-02	K		501 67 35-01	K		501 03 64-01	P	
501 05 64-01	B		501 67 95-01	K		502 03 80-01	H	
501 08 17-01	K		501 69 78-01	K		502 03 81-01	N	
501 15 28-01	B, F		501 83 19-01	K		502 03 82-01	H	
501 20 87-01	H		501 83 20-01	K		502 03 83-01	H	
501 21 81-01	L		501 87 76-01	G		502 03 84-01	H	
501 22 00-01	D		502 00 05-01	J	①	502 03 85-01	K	
501 22 01-01	D		502 00 10-01	C		502 03 86-01	G	
501 22 02-01	D		502 00 12-02	H		502 04 38-01	N	
501 22 03-01	D		502 00 15-01	L		502 04 55-01	M	
501 22 04-01	D		502 00 16-02	G		502 06 24-01	N	
501 22 05-01	D		502 00 18-01	G		502 06 26-01	N	
501 22 08-01	D	②	502 00 20-01	J		502 06 28-01	N	
501 22 09-01	D	②	502 00 25-01	A		502 07 10-04	N	
501 22 10-01	D		502 00 27-01	E		502 07 14-01	N	
501 22 11-01	D		502 00 36-01	M		502 07 15-01	M	
501 22 12-01	D	②	502 00 37-01	M		502 09 68-01	N	
501 22 13-01	D	②	502 00 49-01	L		503 20 20-01	K	
501 22 14-01	D		502 00 53-01	N		503 20 30-01	H	
501 22 15-01	D		502 00 58-01	N		503 20 40-06	J	
501 22 17-01	D		502 00 57-01	N		503 20 40-08	E	
501 22 18-01	D		502 00 59-06	N		503 20 40-14	H	
501 22 19-01	D		502 00 61-01	N		503 20 40-15	B	
501 22 20-01	D		502 00 66-02	N		503 20 80-03	C	
501 22 21-01	D		502 00 68-01	C		503 20 90-02	C	
501 22 22-01	D		502 00 70-01	H		503 22 10-02	K	
501 22 24-01	D		502 00 72-01	H		503 22 85-01	N	
501 22 25-01	D		502 00 79-01	N		503 23 00-11	K	
501 22 29-01	D		502 00 88-01	M		503 23 30-01	J	
501 22 30-01	D		502 00 96-01	H		503 23 30-02	H, M, N	
501 22 31-01	D		502 00 97-02	H		503 23 50-11	B	
501 22 32-01	D		502 01 02-01	B		503 26 00-02	M	
501 25 10-01	C	①	502 01 05-01	N		503 26 02-04	J	
501 25 21-01	E	①	502 01 14-01	M		720 13 07-10	J	
501 25 46-01	D		502 01 20-01	C, D		723 12 22-55	H	
501 26 85-01	D		502 01 21-01	D		725 23 64-51	N	
501 26 89-01	D		502 01 22-01	D		725 23 82-55	E	
501 26 90-01	D		502 01 23-01	D		725 52 92-56	K	
501 28 92-01	C		502 01 26-01	A		725 52 94-55	N	
501 28 93-01	B	①	502 01 29-01	H		725 53 31-55	J, N	
501 30 13-01	H		502 01 36-01	C		725 53 33-55	B, N	
501 31 01-03	P		502 01 39-01	G		725 53 35-01	N, L	
501 31 04-01	H		502 01 40-01	M		725 53 64-01	N	
501 31 14-01	N		502 01 41-01	M		725 53 67-01	N	
501 31 14-02	N		502 01 45-01	M		725 53 70-55	H	
501 31 35-01	H		502 01 46-01	E		725 53 71-05	M, N	
501 31 38-01	N		502 01 48-01	J		725 53 74-55	H, M	
501 40 21-02	L		502 01 62-01	-	① compl	725 63 67-55	L	
501 40 22-01	L		502 01 66-01	E		728 63 31-00	M	
501 40 24-02	L		502 01 76-02	C		728 83 67-05	H, M	
501 40 27-01	L		502 01 90-01	N		731 23 12-01	N	
501 40 72-01	L		502 01 98-01	H, L		731 23 14-01	N	
501 40 89-01	L		502 02 00-01	P		731 23 14-05	N	
501 41 78-01	B		502 02 01-01	P		732 21 14-01	C	
501 42 14-01	K		502 02 06-01	P		734 48 51-01	K	
501 46 67-01	D		502 02 27-01	P		735 11 24-51	H	
501 48 54-01	K		502 02 29-02	P		735 11 36-00	K	
501 48 56-01	K		502 02 30-02	P		735 11 46-50	B	
501 49 48-02	D	② compl	502 02 38-01	P		735 31 09-20	P	
501 51 12-03	B		502 02 41-01	M		735 31 10-00	N	
501 53 93-02	B		502 02 44-01	M		738 22 02-25	F	
501 53 93-04	B		502 02 68-02	M		740 42 22-00	J	
501 55 14-01	L		502 02 83-01	N		740 42 24-00	M	
501 55 61-01	F		502 03 14-03	M		740 44 09-00	M	
501 67 32-01	K		502 03 55-01	P				

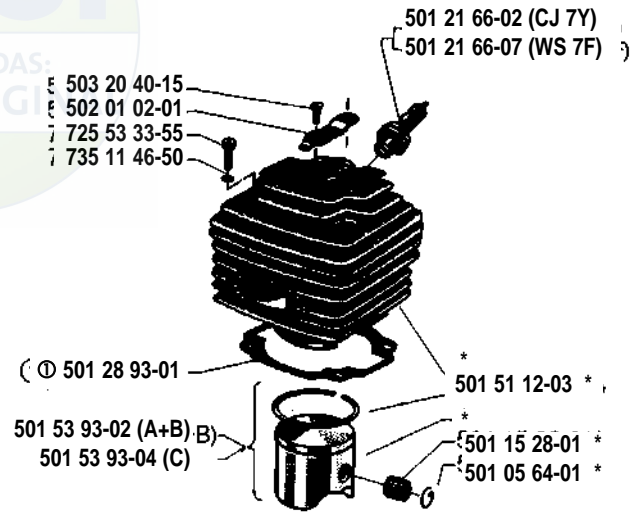
① 50 20 162-01  
Packningssats  
Set of gaskets  
Dichtungssatz  
Jeu de joints  
Tiivistesarj



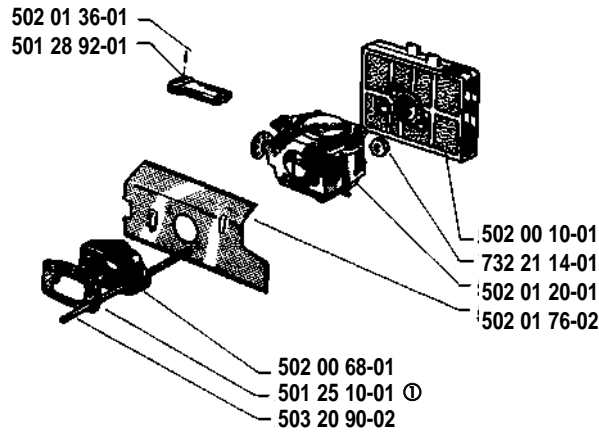
**A**



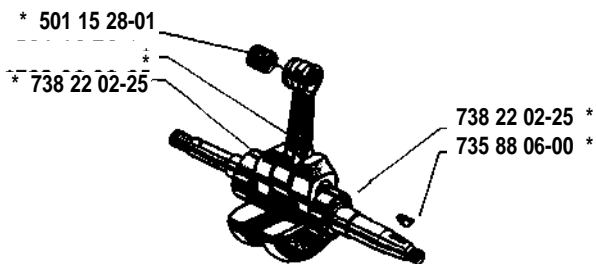
**B** \* compl 501 41 78-01



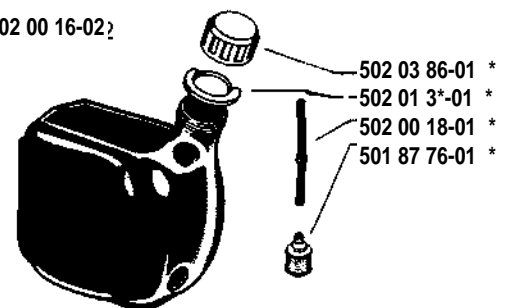
**C**



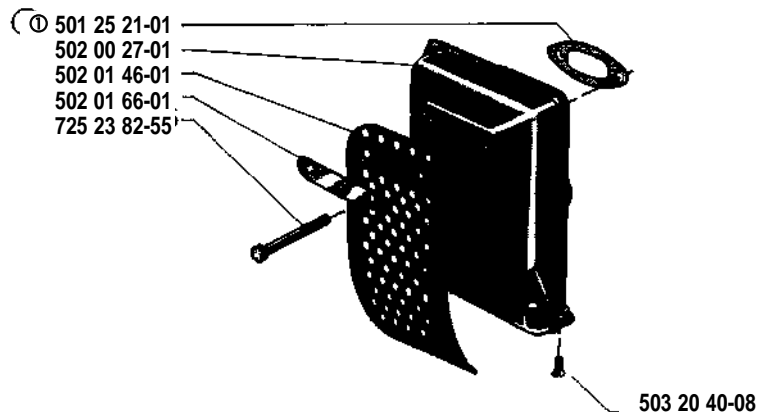
**F** \* compl 501 55 61-02



**G** \* compl 502 00 16-02

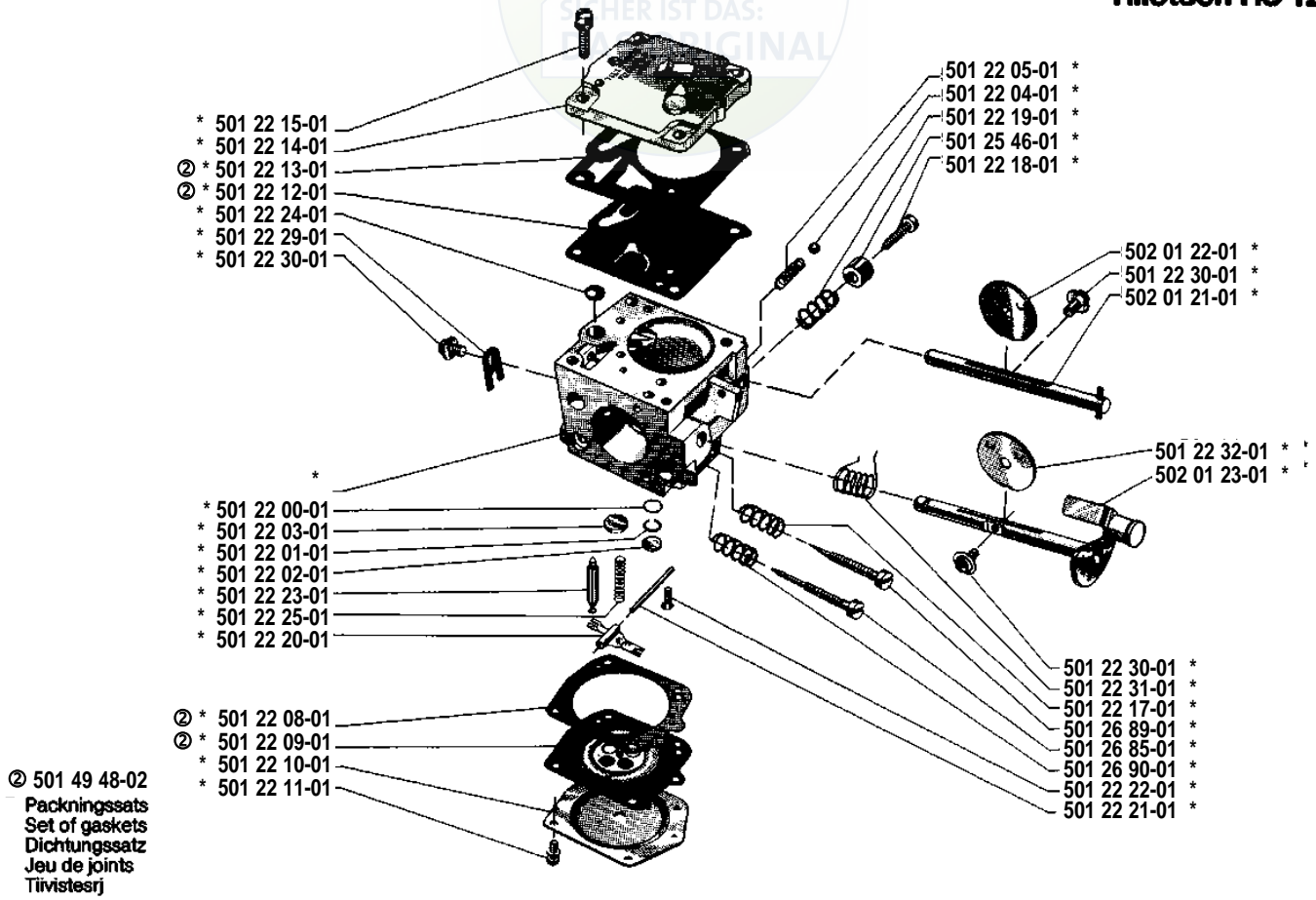


**E**

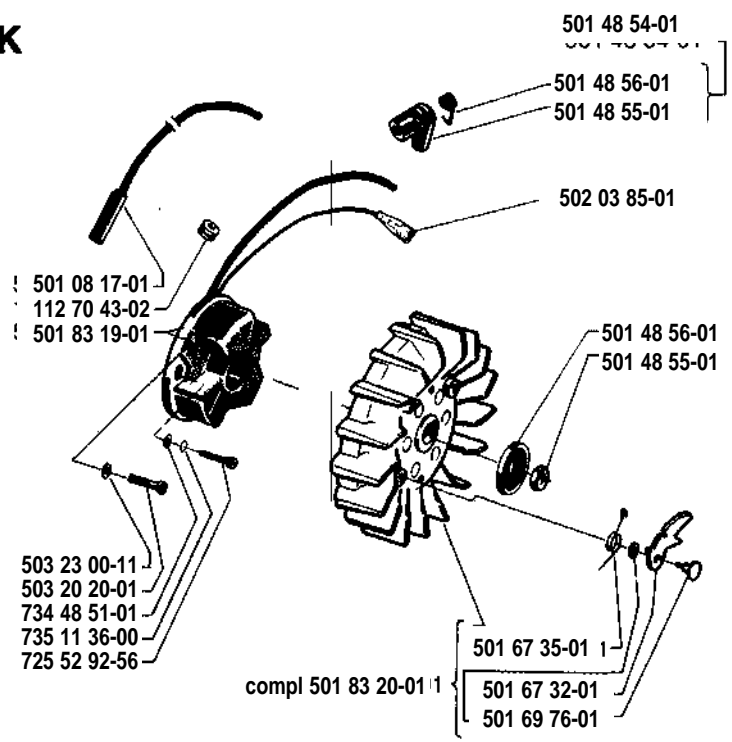


**D** \* compl 502 01 20-01

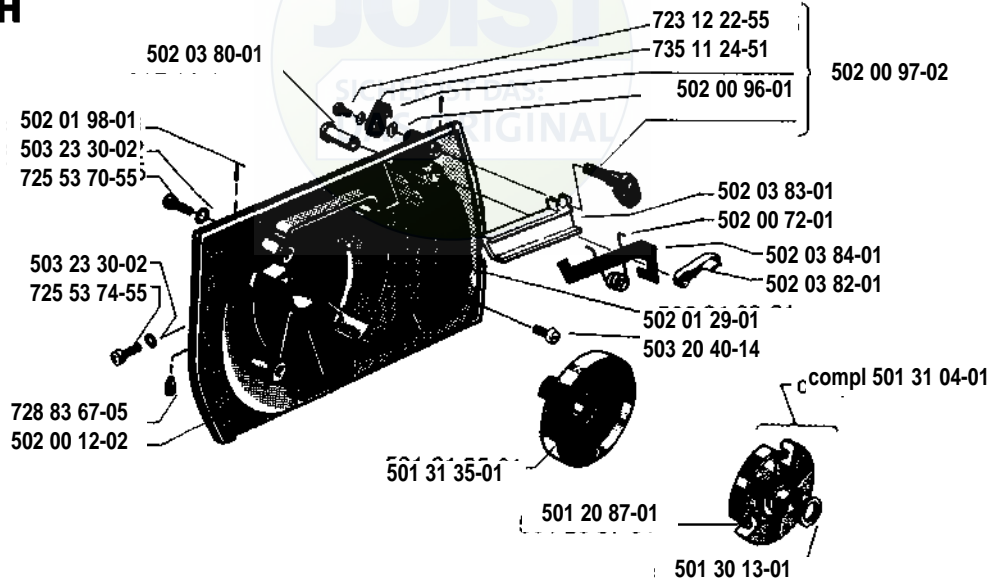
**Tillotson HS 121 A**



**K**

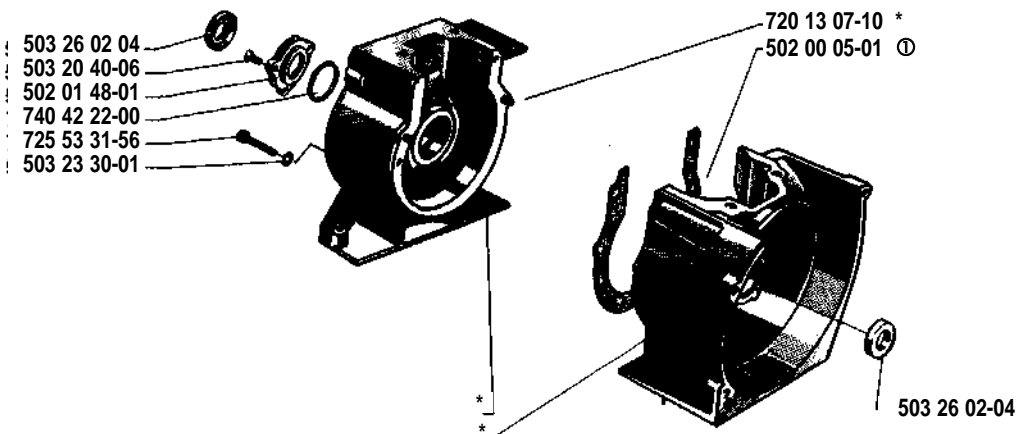


**H**



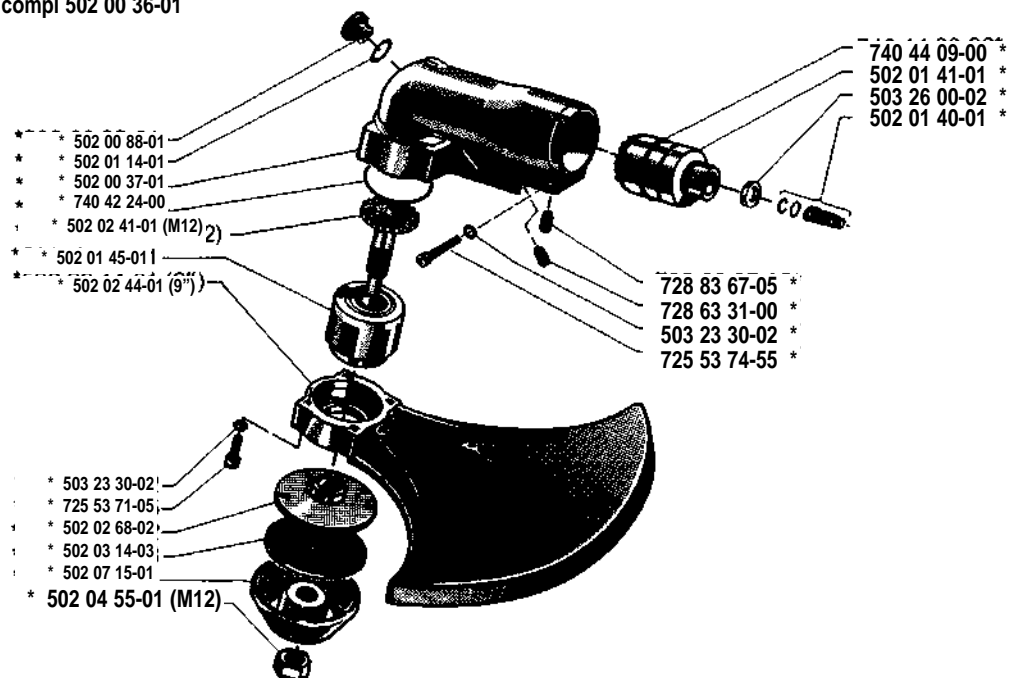
**J**

\* compl 502 00 20-01

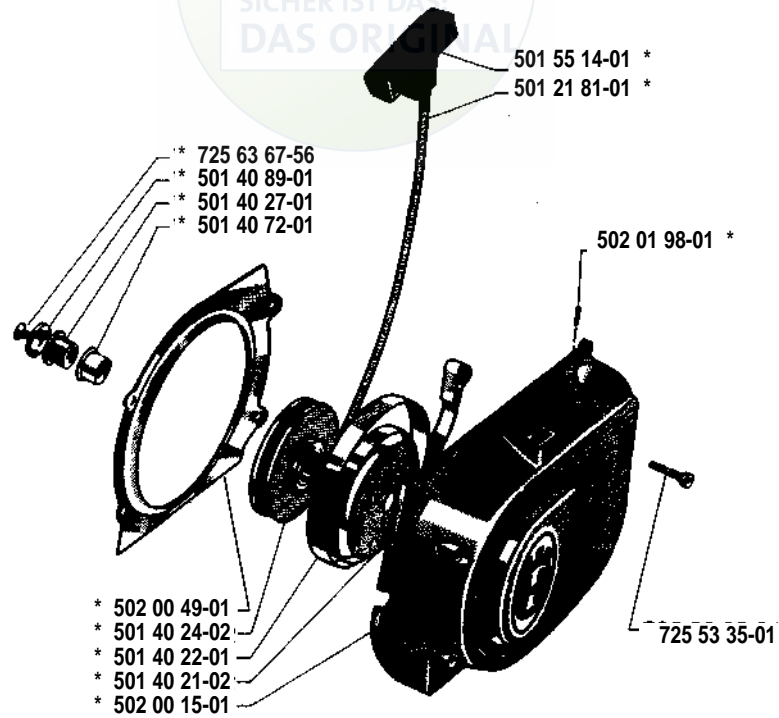


**M**

\* compl 502 00 36-01



**L** \* compl 502 00 14-01



**P**

**Tillbehör  
 Accessories  
 Zubehöre  
 Accessoires  
 Tarvikkeet**

