

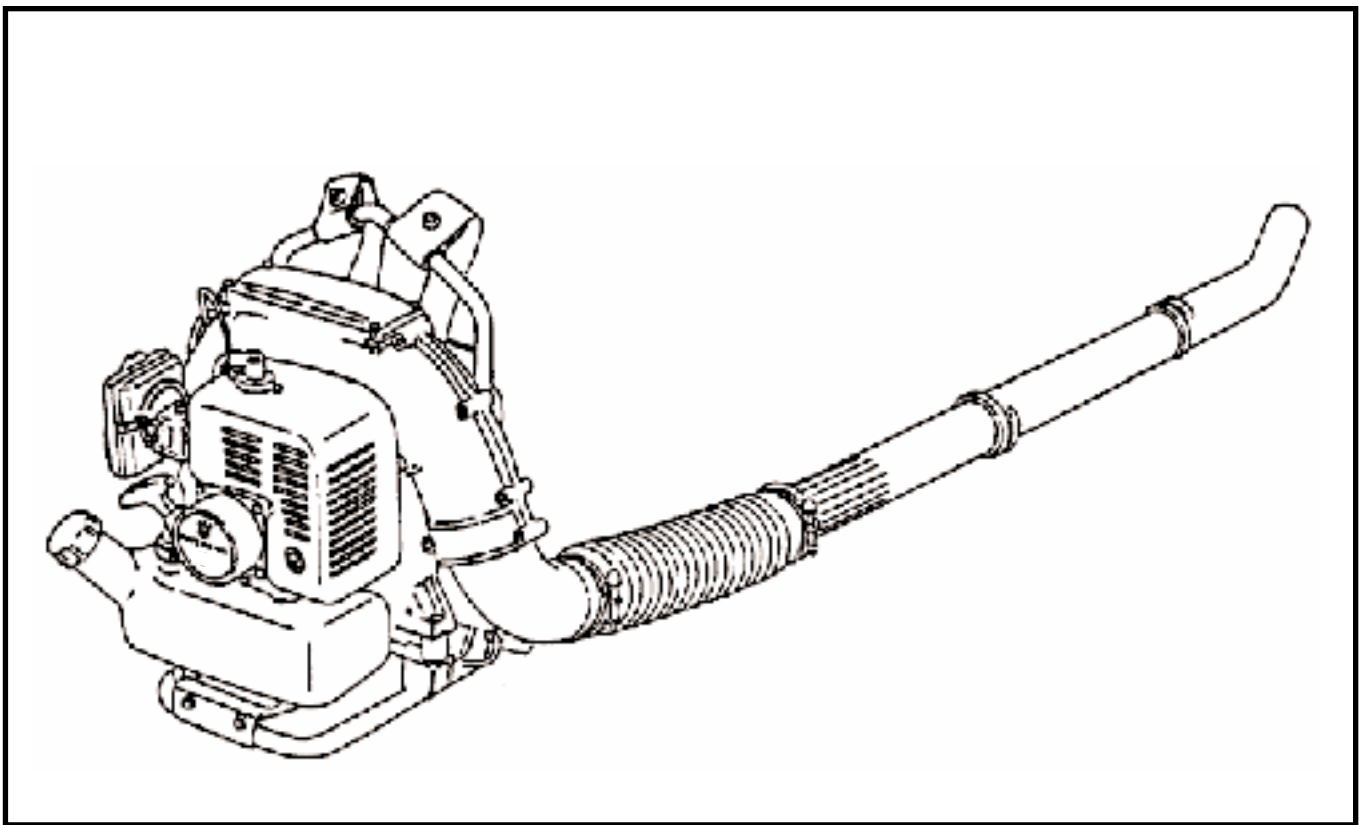
For Husqvarna Parts Call 606-678-9623 or 606-561-4983

**Husqvarna**

Illustrated Parts  
List

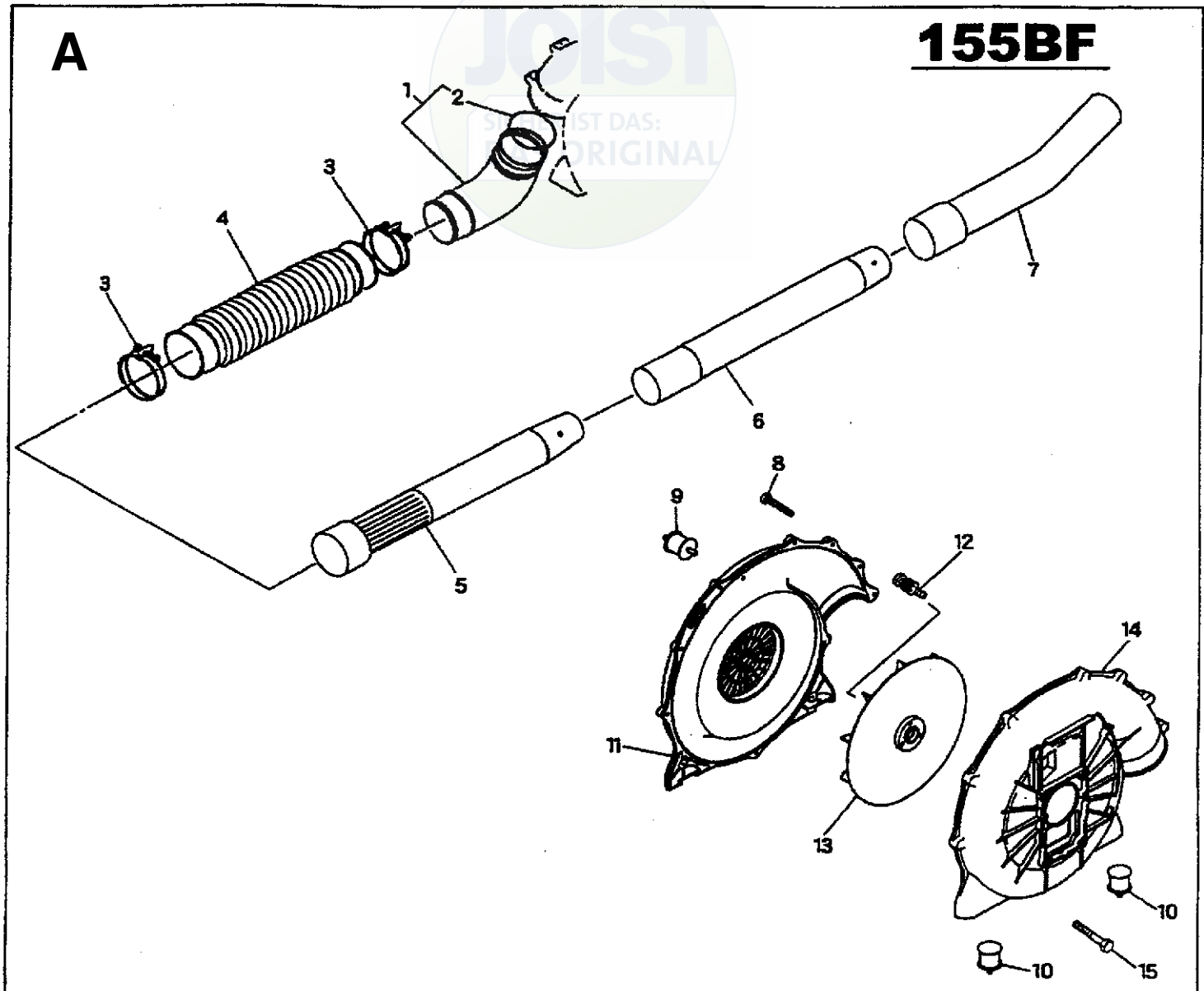
1999-07  
19907001

# 155 BF

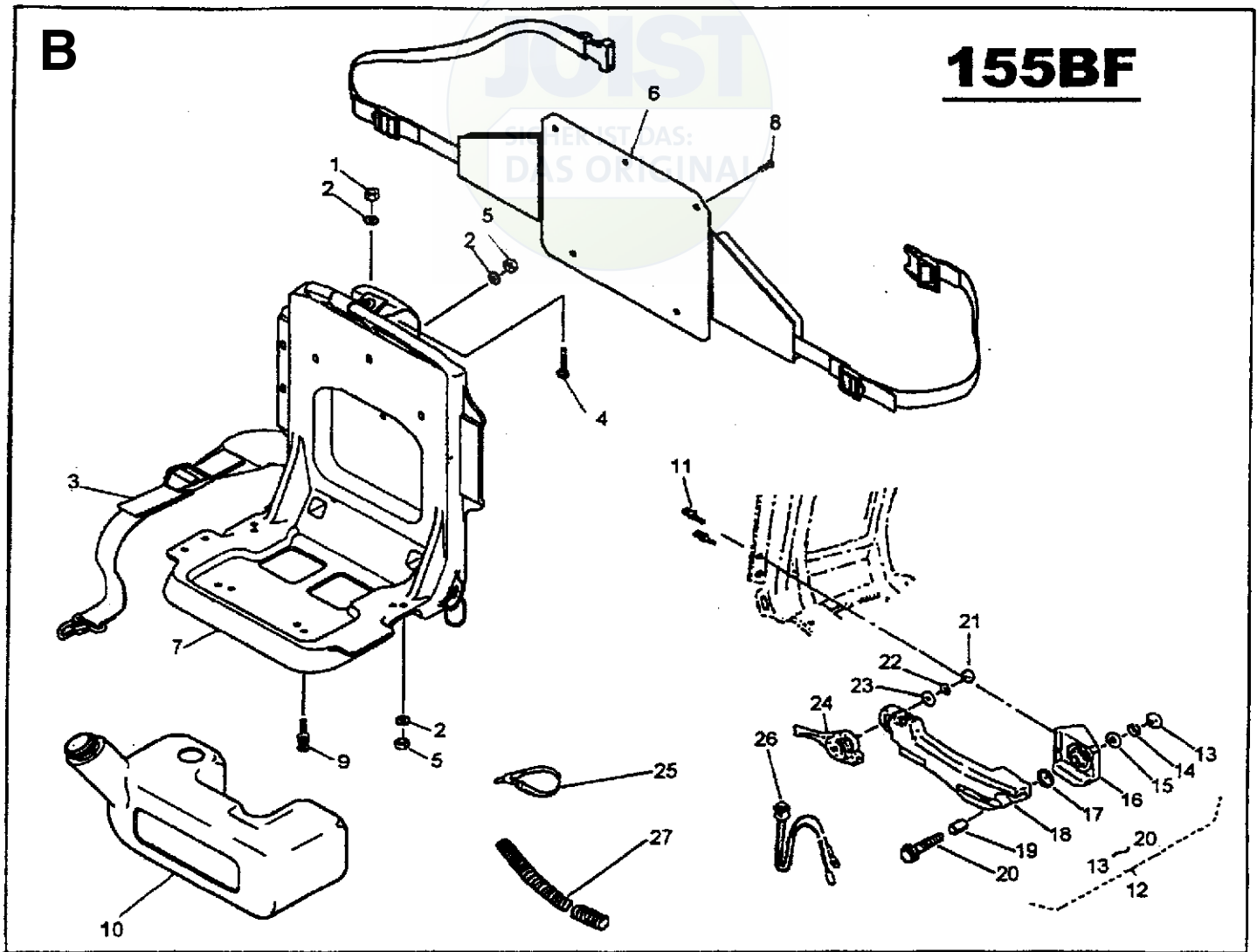


**Repair Parts Manual**

**Backpack Blower**



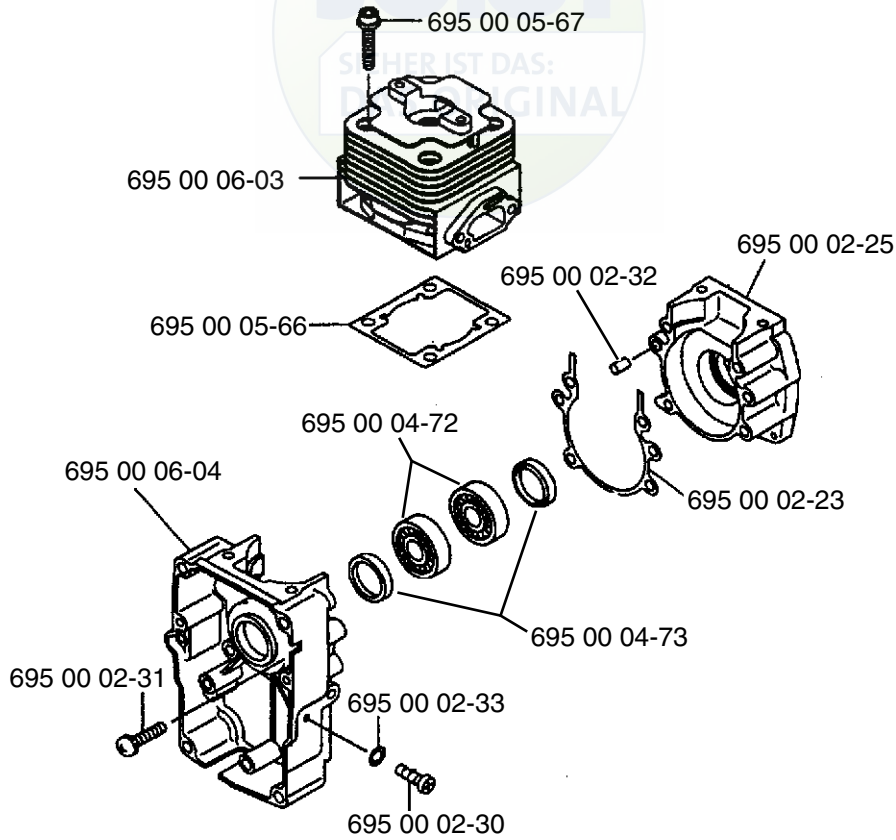
Ref. #	Part #	Description
1	695 00 04-02	Elbow Pipe Compl.
2	695 00 00-05	O-Ring
3	695 00 05-27	Clamp
4	695 00 00-16	Flexible Pipe
5	695 00 00-19	Base Pipe
6	695 00 00-20	Middle Pipe
7	695 00 00-21	Bend Pipe
8	695 00 06-33	Tapping Screw (M5x20)
9	695 00 06-34	Rubber AV Mount
10	695 00 06-35	Rubber AV Mount
11	695 00 06-36	Fan Housing
12	695 00 06-37	Pre-Coat Lock Bolt
13	695 00 06-38	Fan
14	695 00 06-39	Fan Housing
15	695 00 06-40	Pre-Coat Lock Bolt



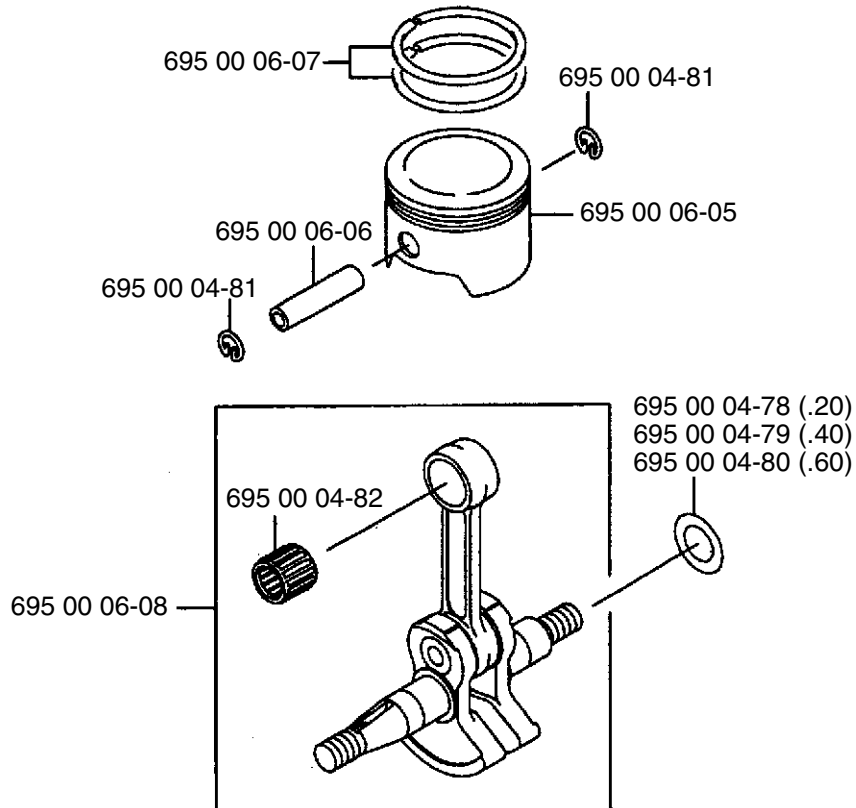
Ref. #	Part #	Description
1	695 00 00-38	Flange Nylon Nut (M6)
2	695 00 00-45	Washer
3	695 00 06-41	Shoulder Strap
4	695 00 06-42	Truss Screw (M6x16)
5	501 94 19-01	U-Nut (M6)
6	695 00 06-44	Backpack Pad
7	695 00 06-54	Backpack Frame
8	695 00 06-43	Clip
9	695 00 06-46	Screw (M6x16)
10	695 00 06-48	Fuel Tank
11	695 00 06-75	Screw (M5x12)
12	695 00 04-04	Lever Compl.
13	695 00 02-16	Hex Nut
14	695 00 02-12	Spring Lock Washer (M8)

Ref. #	Part #	Description
15	695 00 02-13	Plain Washer (M8)
16	695 00 02-06	Lever Mount
17	695 00 02-09	O-Ring
18	695 00 02-07	Lever Body
19	695 00 02-08	Spacer
20	695 00 02-10	Flange Bolt (M8x25)
21	695 00 02-16	Hex Nut (M5)
22	695 00 02-17	Spring Lock Washer (M5)
23	695 00 02-18	Plain Washer (M5)
24	695 00 02-15	Throttle Lever
25	695 00 00-43	Wire Band
26	695 00 02-19	Stop Switch
27	695 00 02-20	Tube

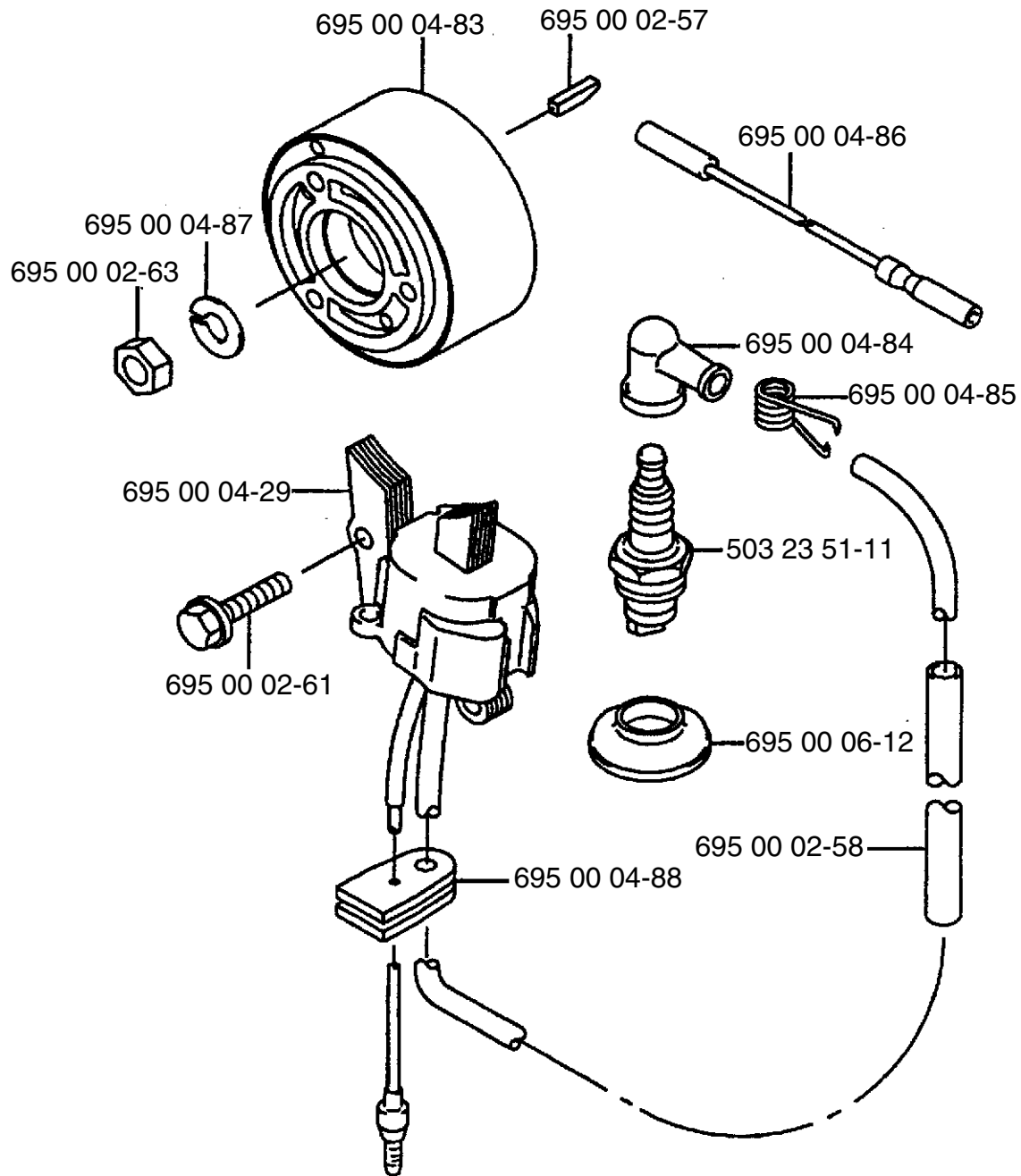
**C**



**D**

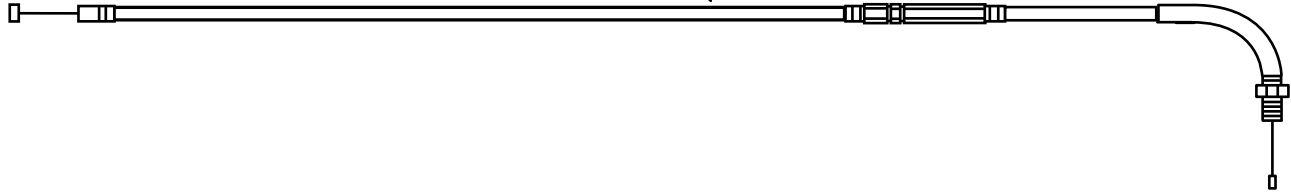


E



**F**

695 00 05-99



**G**

695 00 05-34

695 00 05-35

695 00 05-36

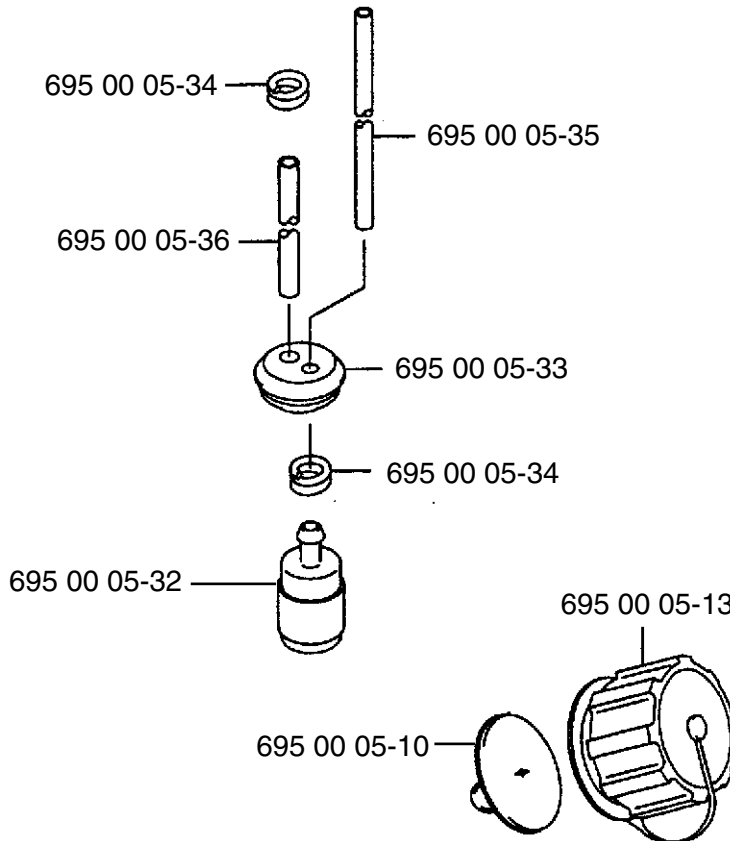
695 00 05-33

695 00 05-34

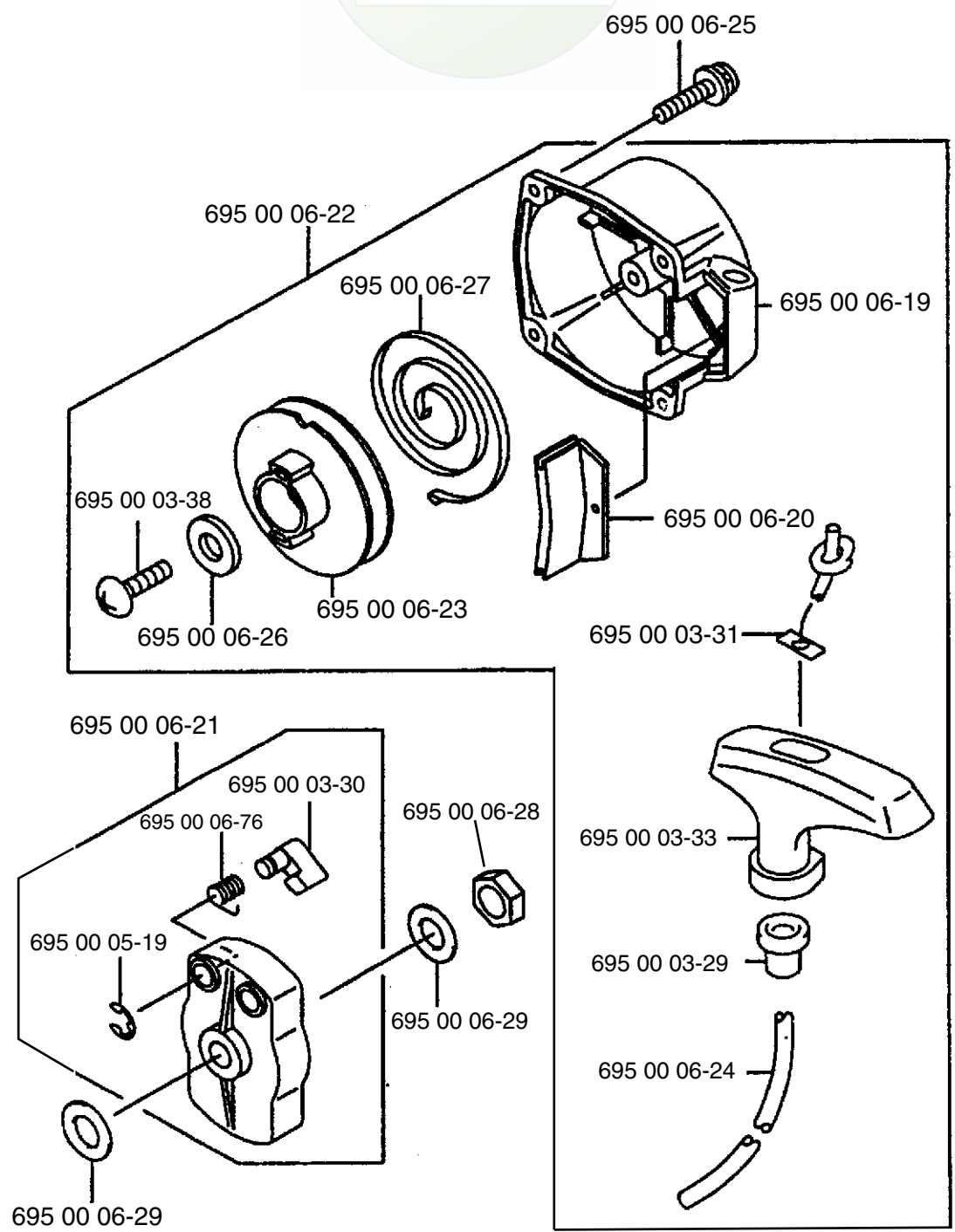
695 00 05-32

695 00 05-13

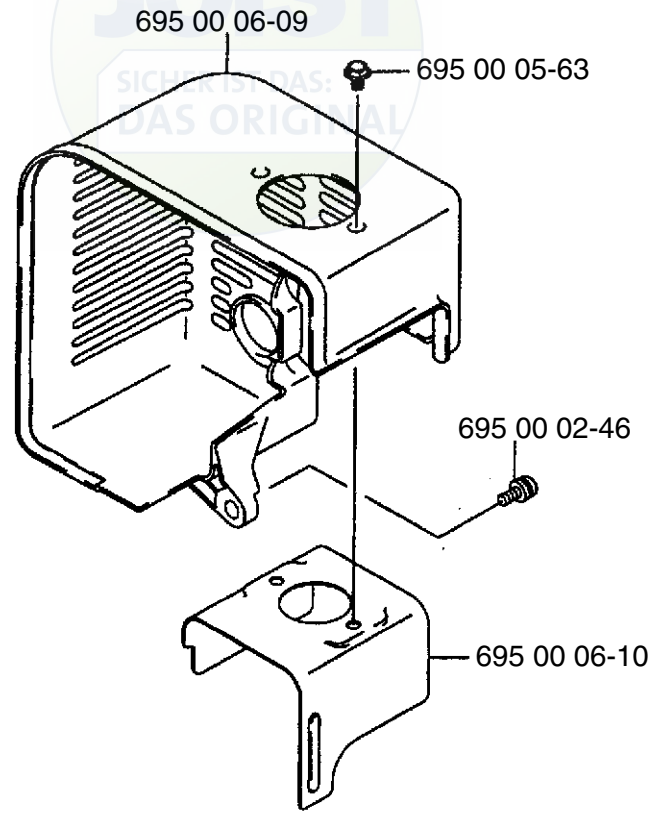
695 00 05-10



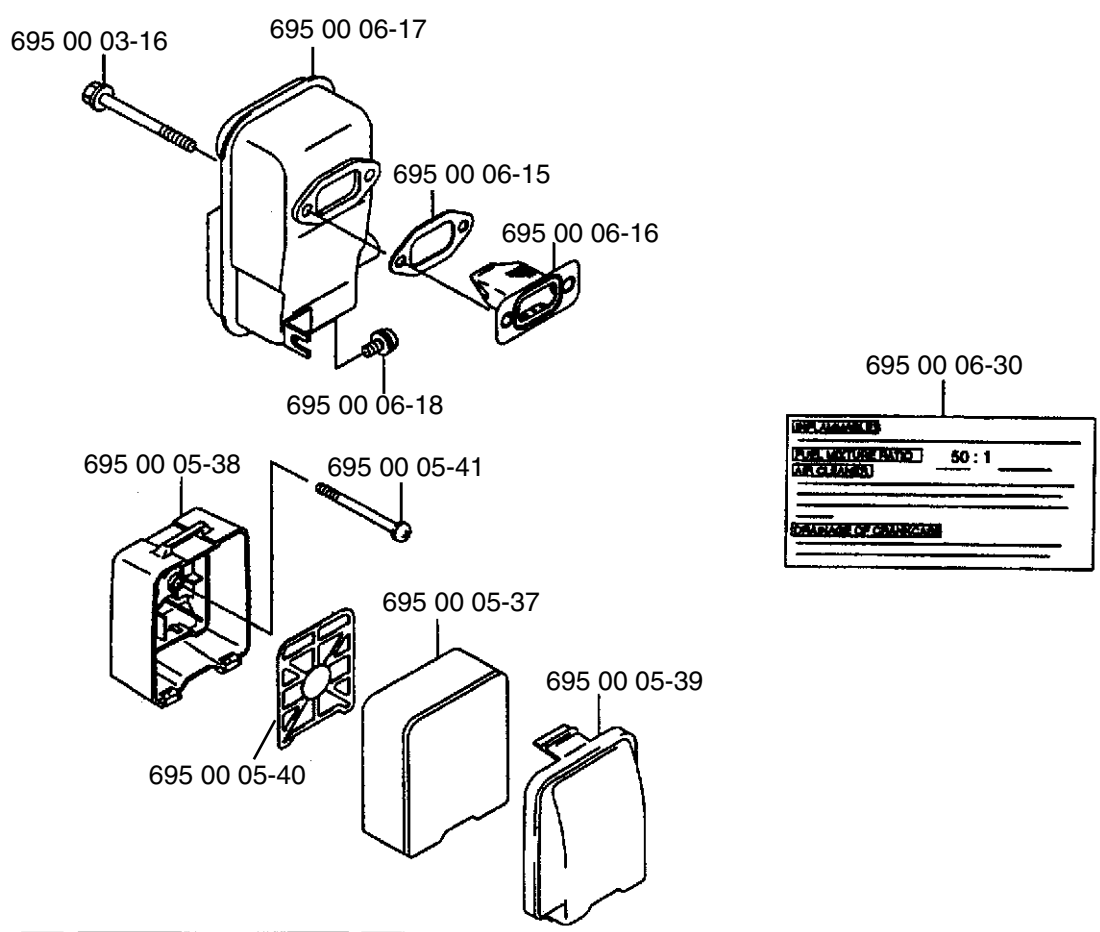
H



**J**



**K**



[REDACTED]	
FUEL MIXTURE RATIO	50:1
AIR FILTER	
[REDACTED]	



L

