

 **Husqvarna**

SERVICE



**11**

**I0300036**

IPL, 136, 141, 2003-01, 106 25 33-63

# 136, 141

**Spare parts**

**Ersatzteile**

**Pièces détachées**

**Reserve onderdelen**

**Repuestos**

**Reservdelar**

Replaces

Ersetzt

Remplace

Vervangt

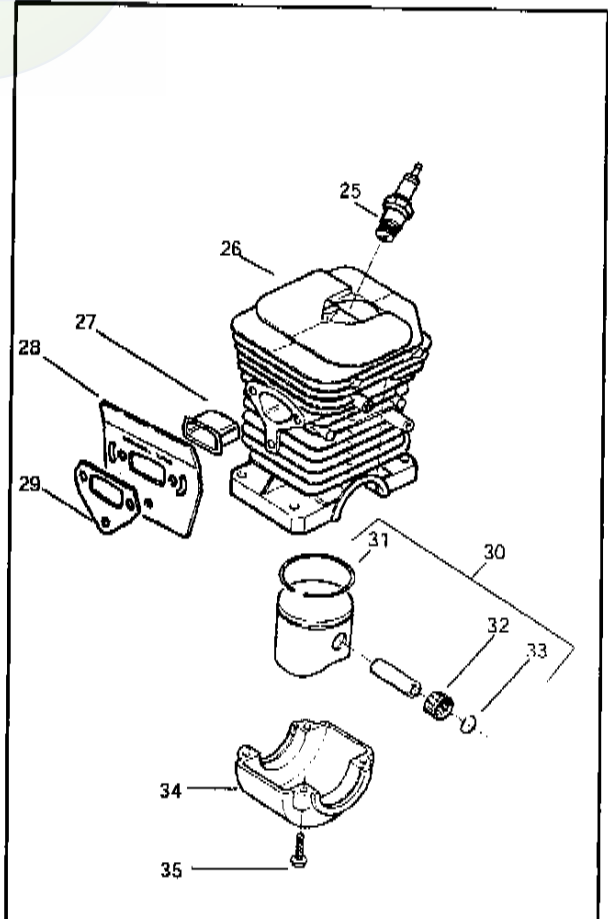
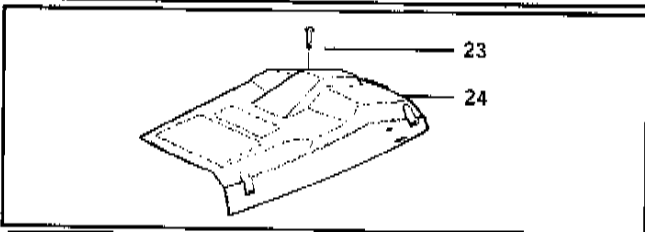
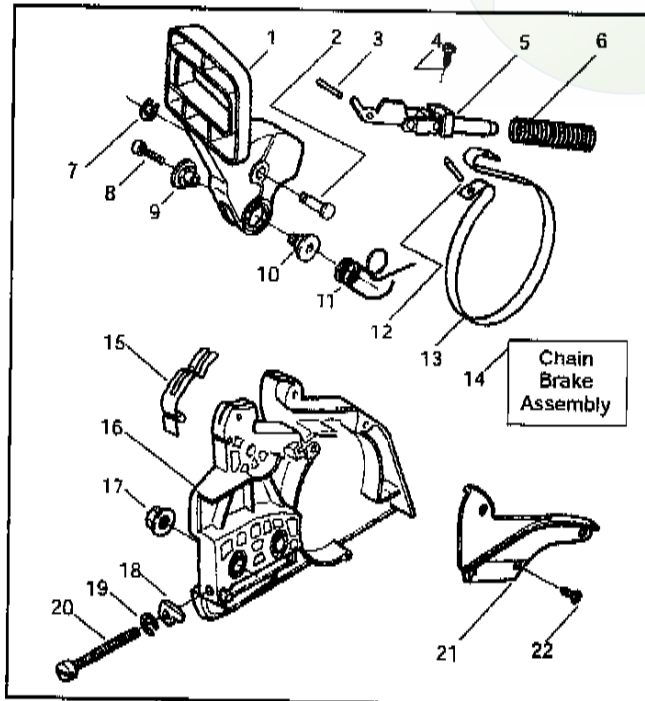
Reemplaza

Ersätter

106 25 33-62

# JOIST

SICHER IST DAS:  
DAS ORIGINAL



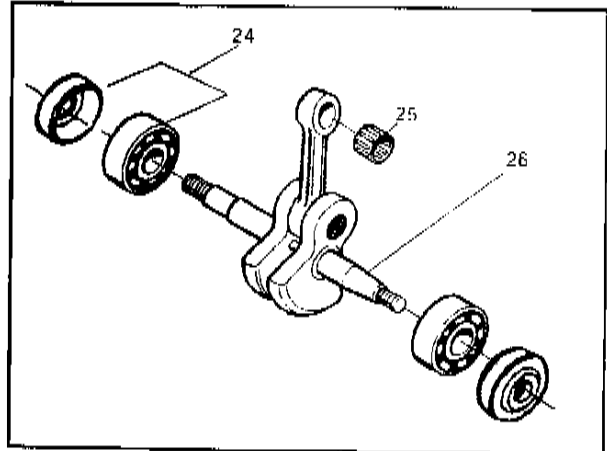
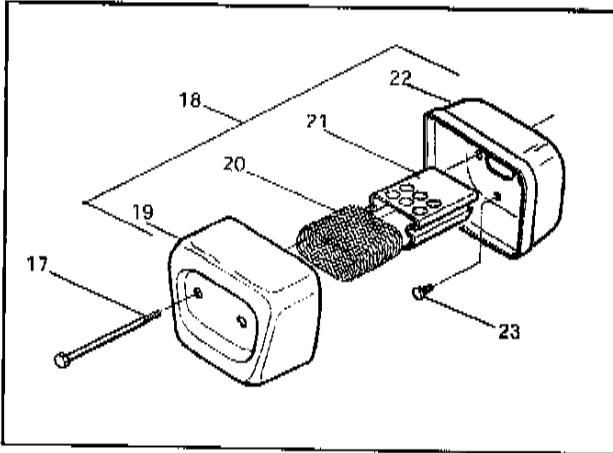
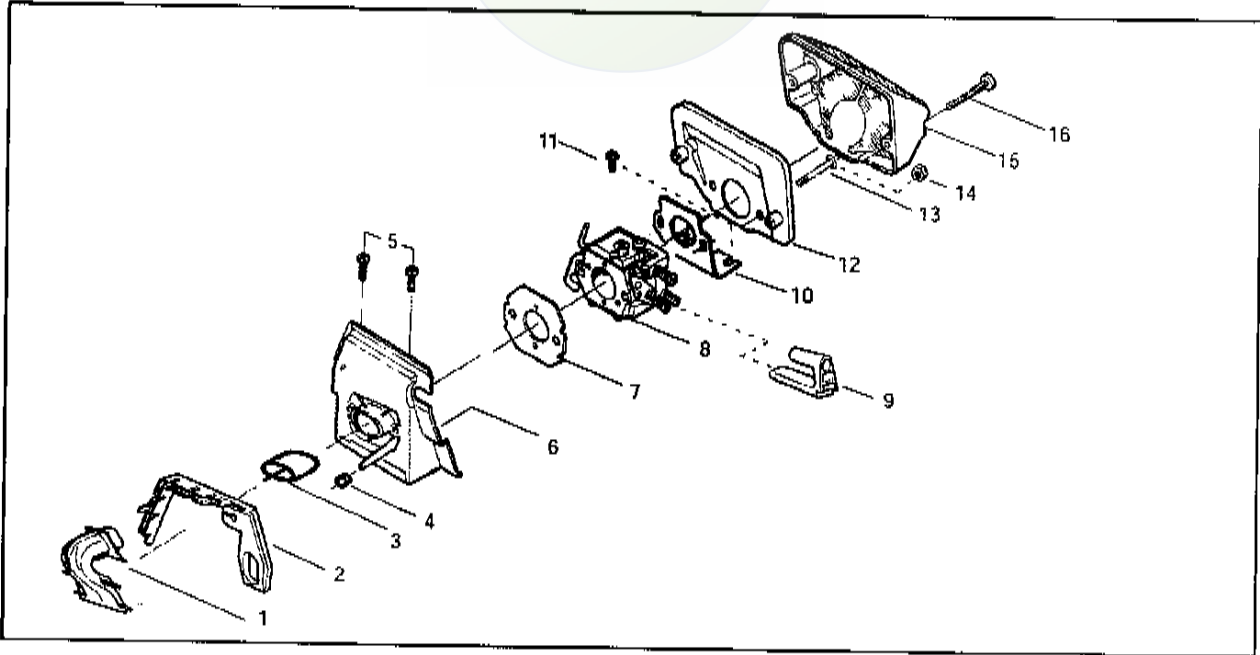
Ref.	Part No.	Description
1	530 07 13-48	Actuating Lever
2	530 02 98-79	Pivot Pin
3	530 01 59-15	Pin-Link
4 n	530 01 59-11	Screw
5	530 05 47-41	Front Link Assy.
6 n	530 01 62-37	Chain Brake Spring
7	530 03 85-93	Retainer
8	530 01 63-84	Screw
9 n	530 05 65-31	Journal-Right
10 n	530 02 98-81	Journal-Left
11	530 01 59-10	Handguard Spring
12	530 01 59-13	Pin-Spring
13	530 05 22-32	Brake Band
14	530 05 48-02	Chain Brake Assembly
15	530 02 98-78	Position Spring
16	530 04 94-83	Clutch Cover
17	530 01 59-17	Nut-Bar
18	530 01 58-26	Bar Adjusting Pin
19	530 03 85-93	Retainer
20	530 01 61-10	Screw-Bar Adjusting
21	530 05 30-35	Chain Brake Spring Cover
22 n	530 01 59-11	Screw
23	530 01 61-54	Screw
24	530 04 76-09	Cylinder Shield Assy.
25	952 03 01-50	Spark Plug (RCJ-7Y)
26	-	Kit-Cylinder (incl.#34)
	530 06 99-40	(136)
	530 06 99-41	(141)

Ref.	Part No.	Description
27	530 03 76-52	Heat Insulator
28	530 03 76-40	Muffler-Plate
29	530 01 92-05	Muffler Gasket
30	-	Piston Kit (Includes pin and 31,32,33)
	530 06 99-44	(136)
	530 06 94-54	(141)
31	-	Piston Ring
	530 02 98-05	(136)
	530 02 99-82	(141)
32	530 03 21-17	Piston Pin Bearing
33	530 01 56-97	Piston Pin Retainer
34	530 04 97-94	Cap-Crankcase
35	530 01 58-97	Screw
	Not Shown	
	-	Operator Manual
	530 08 83-22	U.S./Canada
	530 08 81-85	European
	530 08 81-86	European
	530 08 85-41	South America
n	530 08 81-84	Scan.
	530 08 62-23	Japan
	530 03 11-35	Scrench
	530 03 11-36	Worm Gear Pulter
	530 03 11-12	Clutch Assy. Tool
	530 04 79-41	Kickback Decal
n	530 03 79-12	Scabbard

n = NEW PART NUMBER FOR THIS IPL      K = REFER TO THE SERVICE REFERENCE INDICATED FOR MORE INFORMATION. (LOCATED AT END OF IPL)  
 D = THESE PARTS ARE ILLUSTRATED FOR CLARITY. ORDER COMPLETE ASSEMBLY.

# JOIST

SICHER IST DAS:  
DAS ORIGINAL

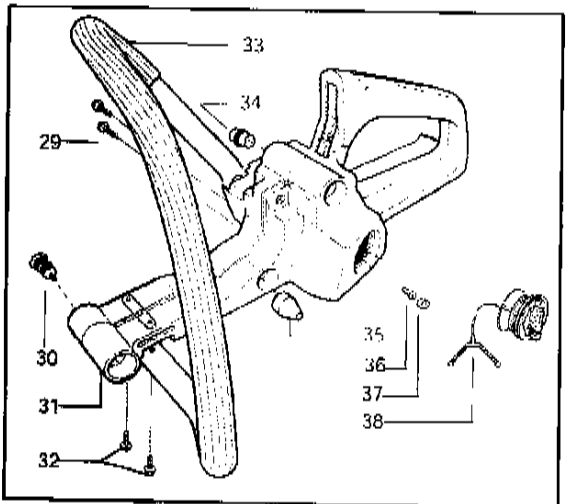
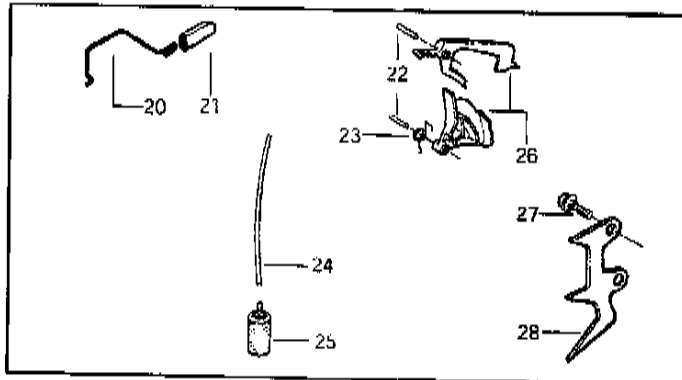
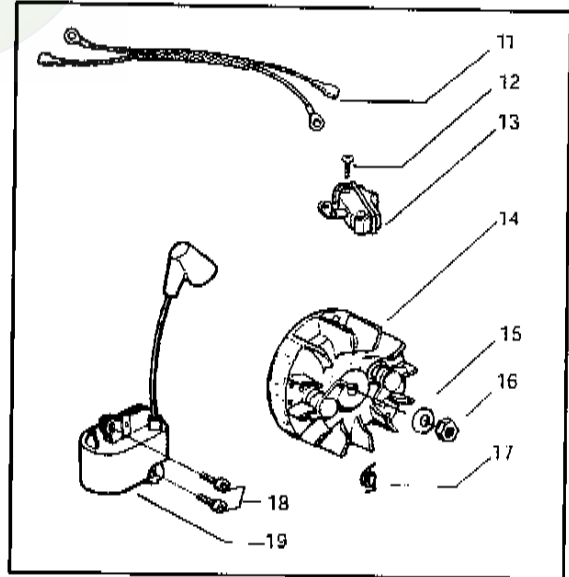
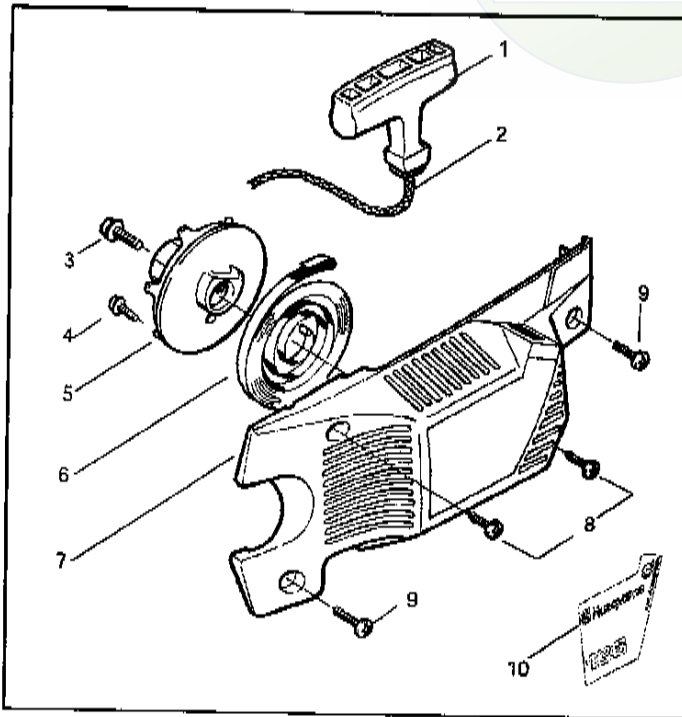


Ref.	Part No.	Description	Ref.	Part No.	Description
1	530 02 98-13	Turbo Air Cleaner Assembly	12	530 03 65-82	Air Filter - Bottom
2	530 01 92-03	Seal - Turbo Clean	13	530 01 59-68	Stud - Carb.
3	530 02 98-14	Intake Sleeve	14	530 01 60-08	Nut
4	530 05 34-35	Impulse Seal	15	530 02 98-11	Air-Filter - Top
5	530 01 58-14	Screw	16	530 01 58-89	Screw
6	530 03 74-65	Adapter - Carb.	17	530 01 60-44	Screw
7	530 01 91-72	Carburetor Gasket	18	530 06 94-15	Muffler Kit (Includes 17, 19, 20, 21 & 22)
8	----	Carburetor	19	530 03 72-54	Muffler Cover
	KKKKK	Zama - C1Q-w6	20	530 02 98-10	Spark Arrestor Screen
	530 03 54-82	WT-542 (Walbro)	21	530 03 72-46	Muffler Diffuser
	530 06 96-29	WT-289 (Walbro)	22	530 03 72-51	Muffler Body
n	530 07 15-10	WT-540 (Walbro)	23	530 01 59-02	Muffler Bolt
9	530 03 74-66	Grommet Final	24	530 05 63-63	Assy. - Bearing and Seal
10	530 04 77 67	Plate - Support	25	530 03 21-17	Piston Pin Bearing
11	530 01 58-96	Screw	26	530 02 97-94	Crankshaft & Rod Assembly

n = NEW PART NUMBER FOR THIS IPL      K = REFER TO THE SERVICE REFERENCE INDICATED FOR MORE INFORMATION (LOCATED AT END OF IPL)  
D \* THESE PARTS ARE ILLUSTRATED FOR CLARITY. ORDER COMPLETE ASSEMBLY.

# JOIST

SICHER IST DAS:  
DAS ORIGINAL



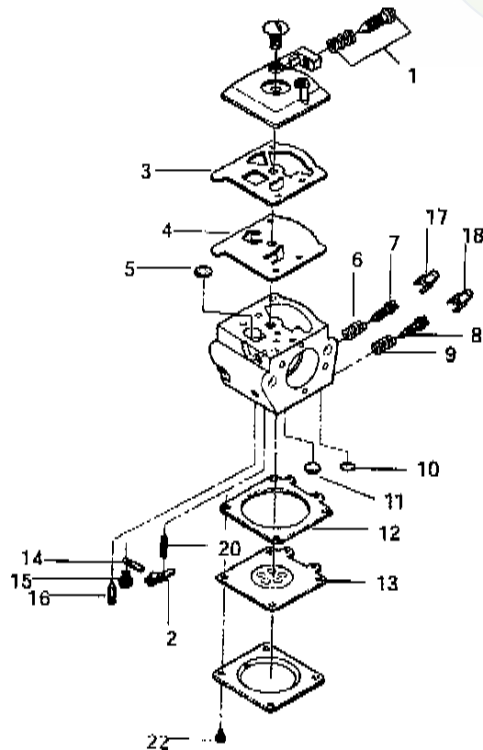
Ref.	Part No.	Description	Ref.	Part No.	Description	Ref.	Part No.	Description
1	530 03 84-91	Starter Handle	12	530 01 58-95	Screw	25	530 01 44-97	Assy Fuel Pickup
2	530 06 92-32	Rope Kit	13	503 71 79-01	Ignition Switch	26	530 06 95-87	Kit - Throttle Trigger
3	530 01 59-20	Screw	14	530 03 91-47	Assy. Flywheel (incl.16)	27	530 01 58-05	Screw
4	530 01 60-80	Screw	15	530 01 51-27	Flywheel Washer	28	530 01 43-81	Assy Spike
5	530 06 93-13	Starter-Pulley Kit	16n	530 01 61-34	Nut	29	530 01 59 40	Screw
6n	530 01 58-91	Recoil Spring	17	530 02 38-17	Spring -Starter Dog	30	530 02 98 70	Isolator
7	530 04 75-99	Fan Housing Assembly	18	530 01 58-95	Screw	31	530 05 24-46	Assy. -Tank/Handle
8	530 01 58-92	Screw	19	530 03 91-43	Module - Ignition	32	530 01 59-06	Screw
9	530 01 58-93	Screw	20	530 02 98-69	Wire - Throttle	33	530 04 98-76	Handle Front
10	---	Decal - Model	21	530 02 98-63	Cap - Wire	34	530 05 24-39	Isolator - Limiter
	530 05 34-59	136	22	530 02 98-60	Pin	35	530 02 99 84	Isolator Bumper
	530 05 34-60	141	23	530 02 38-17	Spring - Starter Dog	36	530 02 61-19	Valve Check
11	530 40 32-57	Leadwire Harness Assly.	24	530 06 92-47	Kit - Fuel line	37	530 03 82-64	Plug - Vent
						38	501 81 96-03	Assy Fuel Cap

n = NEW PART NUMBER FOR THIS IPL      K = REFER TO THE SERVICE REFERENCE INDICATED FOR MORE INFORMATION (LOCATED AT END OF IPL)  
D = THESE PARTS ARE ILLUSTRATED FOR CLARITY. ORDER COMPLETE ASSEMBLY.



**Carburetor Assembly # 530 06 96-29 (WT-289)**  
**Carburetor Assembly # 530 03 54-82 (WT-542)**

**Carburetor CIO-W6 Zama -**  
**See Service Reference**



Carb.  
Repair  
Kit

19

Gasket/  
Diaph.  
Kit

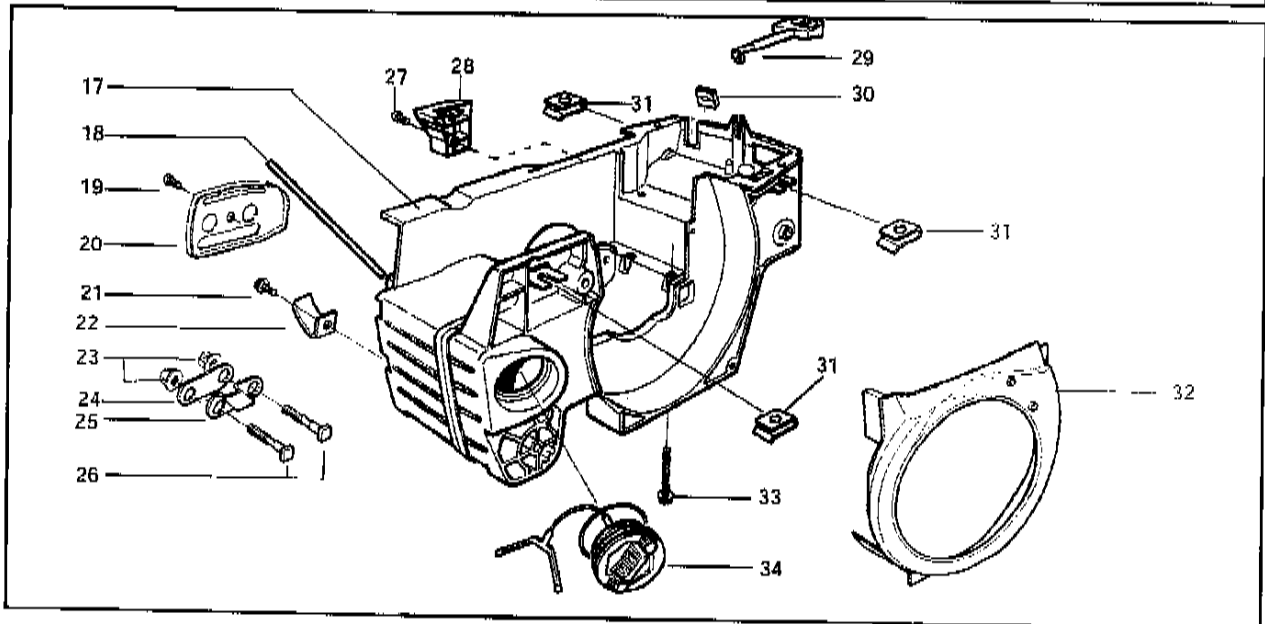
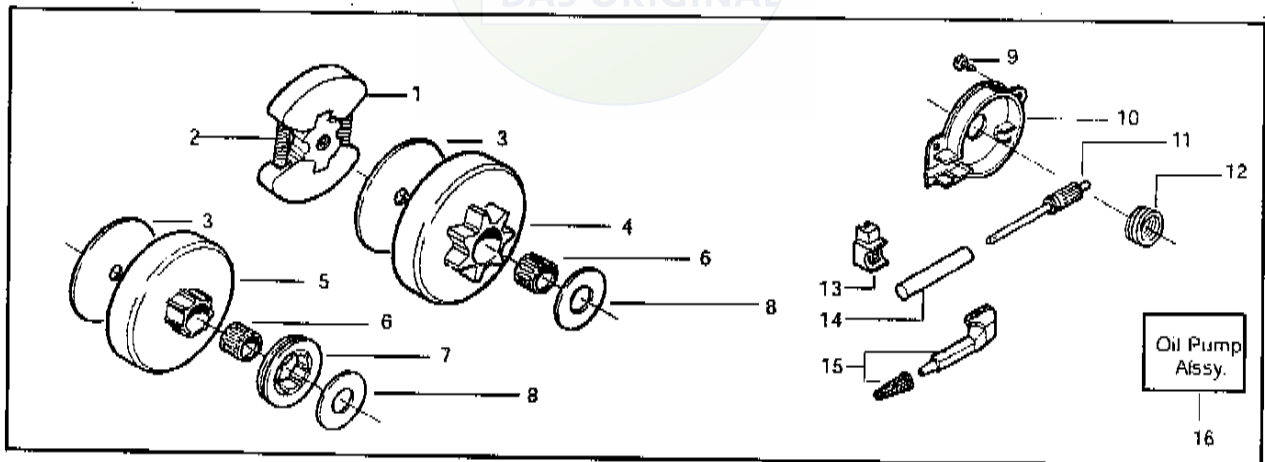
21

Ref.	Part No.	Description	Ref.	Part No.	Description
1.	530 03 52-96	Idle Adv. Screw Kit	19.	-	Carburetor Repair Kit (Incl. 3-5 & 10-18)
2.	530 03 50-31	Metering Lever		530 06 98-26	Walbro
3.	530 03 51-64	Fuel Pump Gasket		530 03 52-69	Zama
4.	530 03 51-66	Fuel Pump Diaphragm	20.	530 03 51-88	Metering Lever Spring
5.	507 43 25-82	Fuel Inlet Screen	21.	-	Gasket/Diaphragm Kit (Incl. 3, 4, 12 & 13)
6.	530 03 52-93	Needle Spring (Low Speed)		530 06 98-44	Walbro
7.	530 03 52-81	Low Speed Needle		530 03 52-70	Zama
8.	530 03 72-59	High Speed Needle	22.	530 03 50-21	Metering Cover Screw Assy
9.	530 03 52-95	Needle Spring (High Speed)			Not Shown
10.	530 03 51-62	Welch Plug (5/16)		530 03 11-57	Limiter Cap Removal Tool
11.	530 03 52-25	Cup Plug		530 03 11-61	Limiter Cap Insertion Tool
12.	530 03 51-65	Metering Diaphragm Gasket			
13.	530 03 50-14	Metering Diaphragm			
14.	530 03 50-28	Metering Lever Pin			
15.	530 03 50-16	Metering Lever Pin Screw			
16.	530 03 51-06	Inlet Needle Valve			
17.	530 03 84-79	Limiter Cap High			
18.	530 03 84-78	Limiter Cap Low			
					<b>Zama Carburetor Service Reference</b>
				LLLLL	If replacing the complete Zama Carburetor, it is not serviceable; you will need to order # 530069629 Walbro Carburetor Assy.

□ = NEW PART NUMBER FOR THIS IPI. K = REFER TO THE SERVICE REFERENCE INDICATED FOR MORE INFORMATION. (LOCATED AT END OF IPI)  
 D = THESE PARTS ARE ILLUSTRATED FOR CLARITY. ORDER COMPLETE ASSEMBLY.

# JOIST

SICHER IST DAS:  
DAS ORIGINAL



Ref.	Part No.	Description	Ref.	Part No.	Description
1	530 01 49-49	Clutch Assembly (incl. 2)	18	530 05 24-40	Tube-Oil Vent
2	530 09 41-88	Spring - Clutch	19	530 01 58-96	Screw (optional)
3	530 01 56-11	Clutch Washer	20	530 04 78-55	Bar Plate
4	530 06 93-42	Clutch Drum w/Bearing Assy.	21	530 01 58-78	Screw
5	530 06 93-16	Drum, Adapt. & Bearing Kit (incl. 6 & 7)	22	530 02 98-50	Chain Catcher
6	530 03 21-19	Clutch Bearing	23	530 01 59-17	Nut
7	530 02 86-50	Rim-Floating (.325)	24	530 01 92-28	Gasket
8	530 01 59-07	Thrust Washer	25	530 03 60-43	Bar Stud Plate
9	530 01 58-96	Screw	26	530 01 58-77	Bar Bolt
10	530 02 98-35	Oil Pump Housing	27	530 01 58-93	Screw
11	530 02 98-38	Plunger & Gear Assembly	28	530 05 24-28	Cover
12	530 02 98-33	Oil Pump Worm	29	530 02 98-31	Choke Lever
13	530 01 91-74	Oil Seal	30	530 02 98-30	Grommet
14	530 02 98-34	Oil Pump Barrel	31	530 01 59-22	Type 1U1 Speed Nut
15	530 01 47-76	Oil Pick-Up and Screen Assembly	32	530 02 98-00	Baffle Plate
16	530 01 44 10	Oil Pump Assembly (Includes 10,11 & 14)	33	530 01 60-37	Screw
17	530 06 99-42	Kit - Chassis Assy.	34	501 76 56-02	Assy.- Oil Tank Cap

N = NEW PART NUMBER FOR THIS IPL      K = REFER TO THE SERVICE REFERENCE INDICATED FOR MORE INFORMATION. (LOCATED AT END OF IPL)  
D = THESE PARTS ARE ILLUSTRATED FOR CLARITY. ORDER COMPLETE ASSEMBLY.