

For Husqvarna Parts Call 606-678-9623 or 606-561-4983



**Illustrated Parts  
List**

---

# 132 HBV

**Blower**

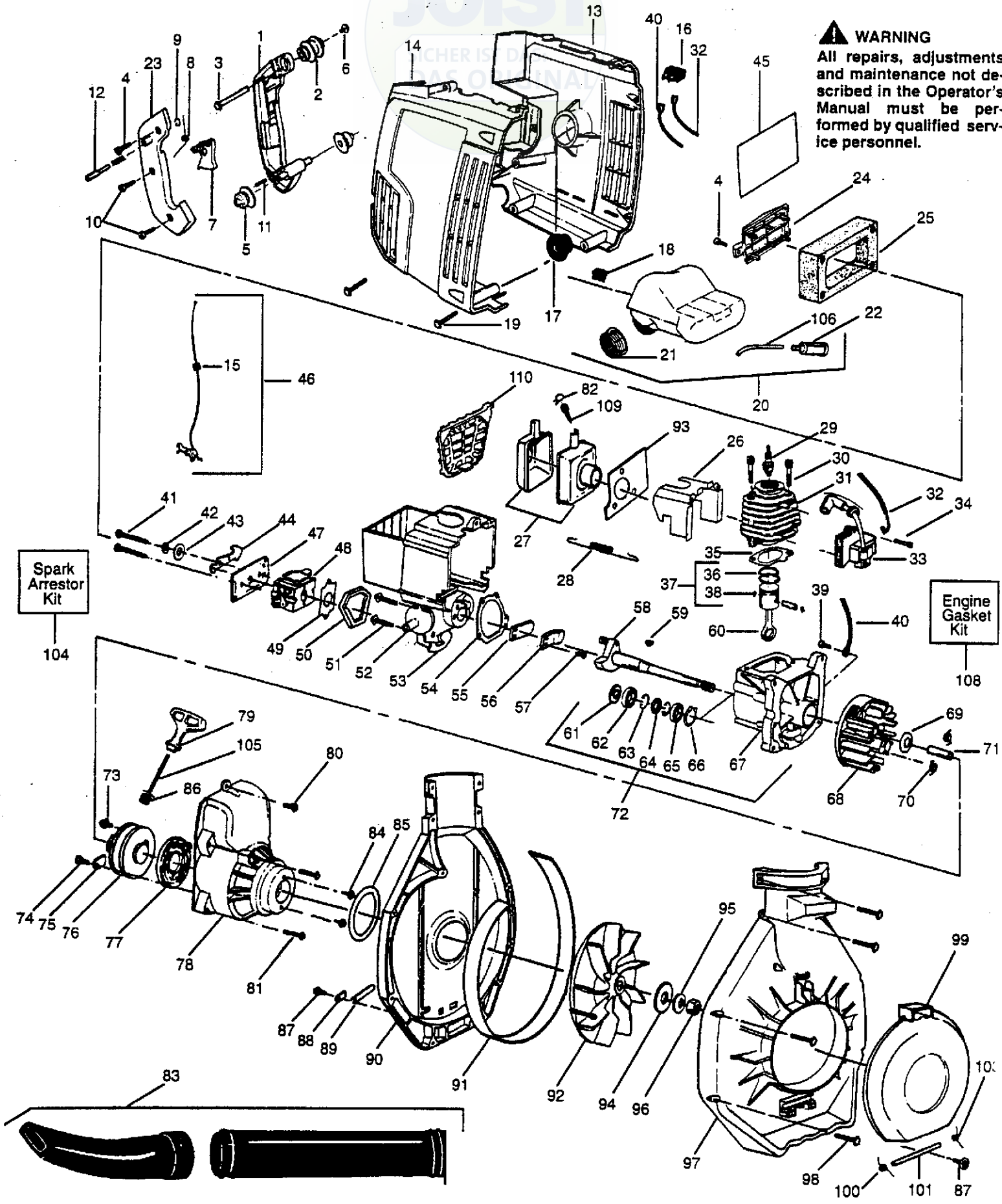
**1.1996**

PARTS LIST NO. 530-067901	
PAGE NO. 1	REPLACES 530-067901-2/15/95

Note: Illustrations may differ from actual models due to design changes

MODEL 132 HBV
------------------

**WARNING**  
All repairs, adjustments and maintenance not described in the Operator's Manual must be performed by qualified service personnel.



PAGE NO. 2  
 REPLACES 530-067901-2/15/95

HUSQVARNA PARTS LIST  
 Note: Illustrations may differ from actual models due to design changes

MODEL:  
 132 HBV

Key No.	Part No.	Description	Key No.	Part No.	Description
1	530-094712	Handle	59	530-015126	Key-Flywheel
2	530-026994	Front Isolator	60	530-010960	Connecting Rod Ass'y.
3	530-029111	Spacer	61	★★★★★	Spacer-See Service Reference 2
4	530-015635	Screw-Handle	62	530-032103	Inner Bearing
5	530-029130	Rear Isolator	63	530-015787	Ring-Retaining, C'case
6	530-015813	Screw	64	530-019158	Crankshaft Seal
7	530-029072	Trigger	65	530-032102	Outer Bearing
8	530-027597	Spring	66	530-015789	Retaining Ring-Crankshaft
9	530-015702	"C" Clip	67	530-014016	Crankcase Ass'y.
10	530-029117	Throttle Lock Button	68	530-039189	Flywheel
11	530-015840	Pin	69	530-347987	Washer
12	530-024772	Spring	70	530-023817	Spring-Starter Dog
13	530-037851	Shroud-Left	71	530-038386	Spacer-Flywheel
14	530-037850	Shroud-Right	72	530-014156	Crankcase/Crankshaft Ass'y.
15	530-019168	Grommet	73	530-016080	Screw-Starter Pulley
16	530-069572	Switch Kit	74	530-015496	Screw-Retainer
17	530-029129	Isolator-Engine Mount	75	530-027523	Retainer
18	530-029295	Isolator-Tank	76	★★★★★	Starter Pulley (Incl. 73)-See Service Reference 1
19	530-015814	Screw-Shroud	77	530-029395	Starter Spring
20	530-014162	Fuel Tank Ass'y. (Incl. #21, 22 & 106)	78	530-069714	Fan Housing Kit (Incl. Starter Pulley)
21	530-014347	Fuel Cap Ass'y.	79	530-027569	Starter Handle
22	530-014362	Fuel Pick-up Ass'y.	80	530-015775	Screw-Fan Housing
23	530-014160	Handle Cover Ass'y. (Incl. 9, 10 & 12)	81	530-015769	Screw-Fan Housing
24	530-037847	Cover-Air Filter	82	530-029228	Clamp
25	530-029112	Air Filter	83	530-038508	Tube and Nozzle As'y.
26	530-029404	Air Baffle	84	530-015805	Screw-Fan Housing
27	530-069293	Muffler Kit	85	530-019167	"O" Ring-Fan Housing
28	530-029116	Spring-Muffler	86	530-029182	Eyelet
29	530-030075	Spark Plug (RCJ-8Y)	87	530-015815	Screw
30	530-015239	Screw-Cylinder	88	530-027523	Retainer
31	530-069628	Cylinder Kit	89	530-029119	Tube-Rope Retainer
32	530-029425	Lead Wire	90	530-094710	Blower Housing (Upper)
33	530-039137	Ignition Module	91	530-029173	Band
34	530-015816	Screw-Ignition Module	92	530-014157	Impeller Ass'y.
35	530-019178	Gasket-Cylinder	93	530-019232	Muffler Gasket
36	530-025875	Piston Ring	94	530-015818	Washer-Impeller
37	530-069277	Piston Kit (Incl. #36, 38, & Pin)	95	530-015441	Washer-Conical
38	530-015162	Retainer	96	530-001733	Nut
39	530-015306	Screw-Groundwire	97	530-047736	Blower Housing (Lower) Ass'y (Incl. 99-103)
40	530-029426	Ground Wire	98	530-015814	Screw
41	530-015849	Screw	99	530-047700	Door
42	530-015254	Wave Washer	100	530-015667	Spring-Right
43	530-015852	Spacer	101	530-015647	Pin
44	530-029114	Choke Shutter	103	530-015672	Spring-Left
45	530-047413	Instruction Decal	104	530-069348	Spark Arrestor Kit
46	530-037492	Cable Assembly (Incl. #45)	105	530-069232	Rope Kit
47	530-029115	Plate	106	530-069247	Line Kit
48	530-069644	Carburetor (WT 141A) w/Limiter Cap	108	530-069294	Gasket Kit
49	530-019164	Gasket-Carburetor	109	530-029227	Screen
50	530-019165	Seal-Reed Block	110	530-069692	Muffler Guard
51	530-015771	Screw-Reed Block			
52	530-029113	Ground Wire			
53	530-047696	Reed Block/Heat Shield			
54	530-019166	Gasket-Reed Block			
55	530-027593	Reed Valve			
56	530-027594	Reed Stop			
57	530-016064	Screw			
58	530-014033	Crankshaft-See Service Reference 2			
			Not Shown		
				530-083094	Operator Manual
				530-083427	French/English
				530-083428	European
				530-031159	Scandinavian
					Hex Wrench 5/32"

✓ = NEW PART NUMBER FOR THIS IPL

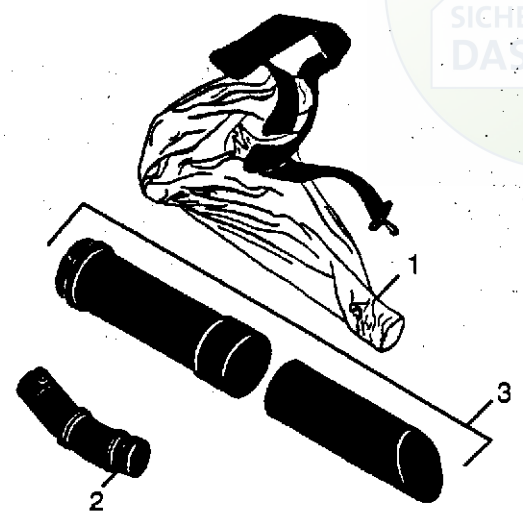
★ = REFER TO THE SERVICE REFERENCE INDICATED FOR MORE INFORMATION. (LOCATED AT END OF IPL)

PAGE NO. 3  
 REPLACES 530-067901-2/15/95

Note: Illustrations may differ from actual models due to design changes

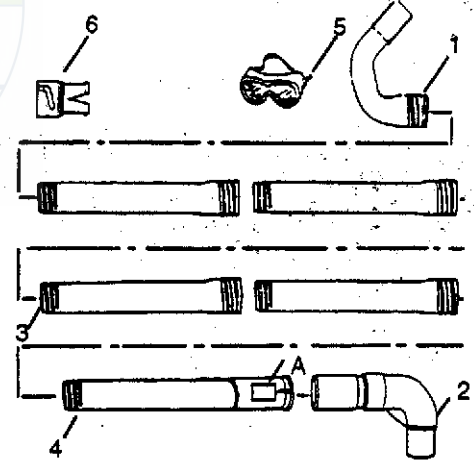
MODEL: 132 HBV

**Vacuum Attachment Parts**



KEY NO.	PART NO.	DESCRIPTION
1	530-095116	Collection Bag W/Strap
2	530-095117	Elbow
3	530-069750	Vacuum Tube Kit

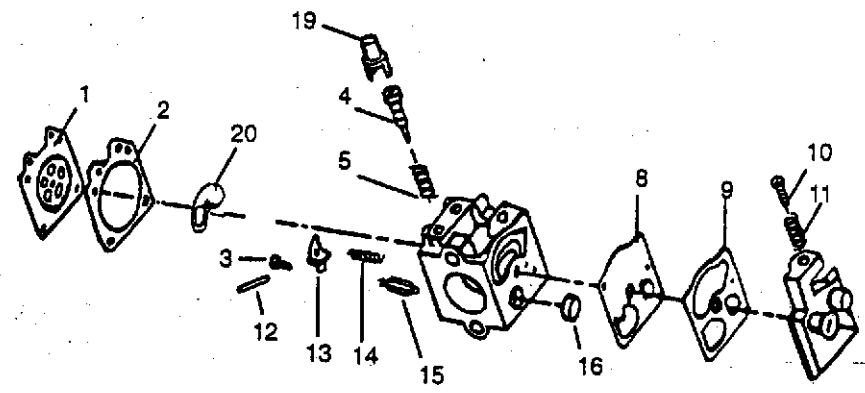
**Gutter Attachment #952-703530**



KEY NO.	PART NO.	DESCRIPTION
1	530-094426	Nozzle
2	530-094518	Elbow
3	530-094425	Extension Tube
4	530-094424	Pivot Tube
5	952-701645	Goggles
6	530-094850	Adapter
A	530-029036	Warning Decal

**Carburetor Assembly (WT-141A) #530-069644**

Carb. Repair Kit 17  
 Carb. Gasket Kit 18



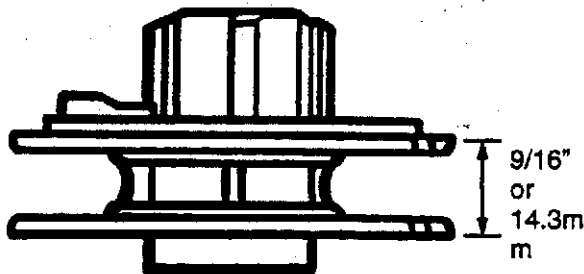
Key No.	Part No.	Description	Key No.	Part No.	Description
1	530-035014	*+ Metering Diaphragm	13	530-035031	* Metering Lever
2	530-035151	*+ Metering Diaphragm Gasket	14	530-037330	* Metering Lever Spring
3	530-035016	* Metering Lever Pin Screw	15	530-035106	* Inlet Needle Valve
4	530-035341	Mixture Needle	16	530-035178	* Fuel Inlet Screen
5	530-035376	Mixture Needle Spring	17	530-035264	Carb. Kwik Repair Kit (*Indicates Contents)
8	530-035166	*+ Fuel Pump Diaphragm	18	530-035219	Carb. Gasket/Diaphragm Kit (+Indicates Contents)
9	530-035164	*+ Fuel Pump Gasket			Kit (+Indicates Contents)
10	530-035203	Idle Speed Screw			Limiting Cap
11	530-035121	Idle Screw Spring	19	530-038403	
12	530-035028	* Metering Lever Pin	20	530-035211	*+ Circuit Plate Gasket

530-067901 - 3/29/96	
PAGE NO. 4	REPLACES 530-067901-2/15/95

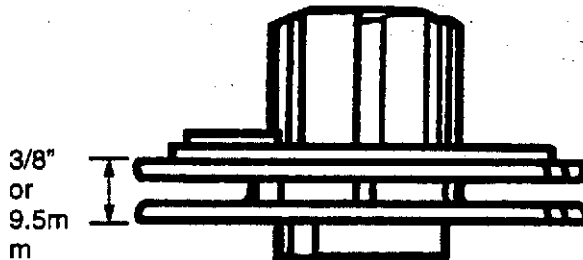
Note: Illustrations may differ from actual models due to design changes

**SERVICE REFERENCE**

**1. Starter Pulley** – When ordering a new starter pulley for your unit, please measure your existing pulley as shown by the dimensions in the illustrations below and order accordingly.



530-069291

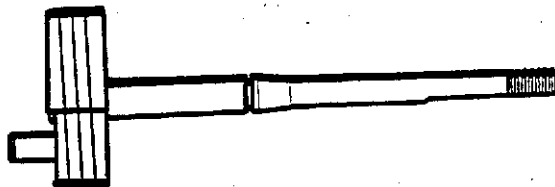


530-069486

**NOTE:** Illustrations smaller than actual size.

**2. Crankshaft Spacer** – Earlier models equipped with the laminated crankshaft (shown on the left) requires Spacer 530-015788. Later models equipped with a step on the crankshaft (shown on the right), do not require the spacer.

Spacer Required



Spacer Not Required

