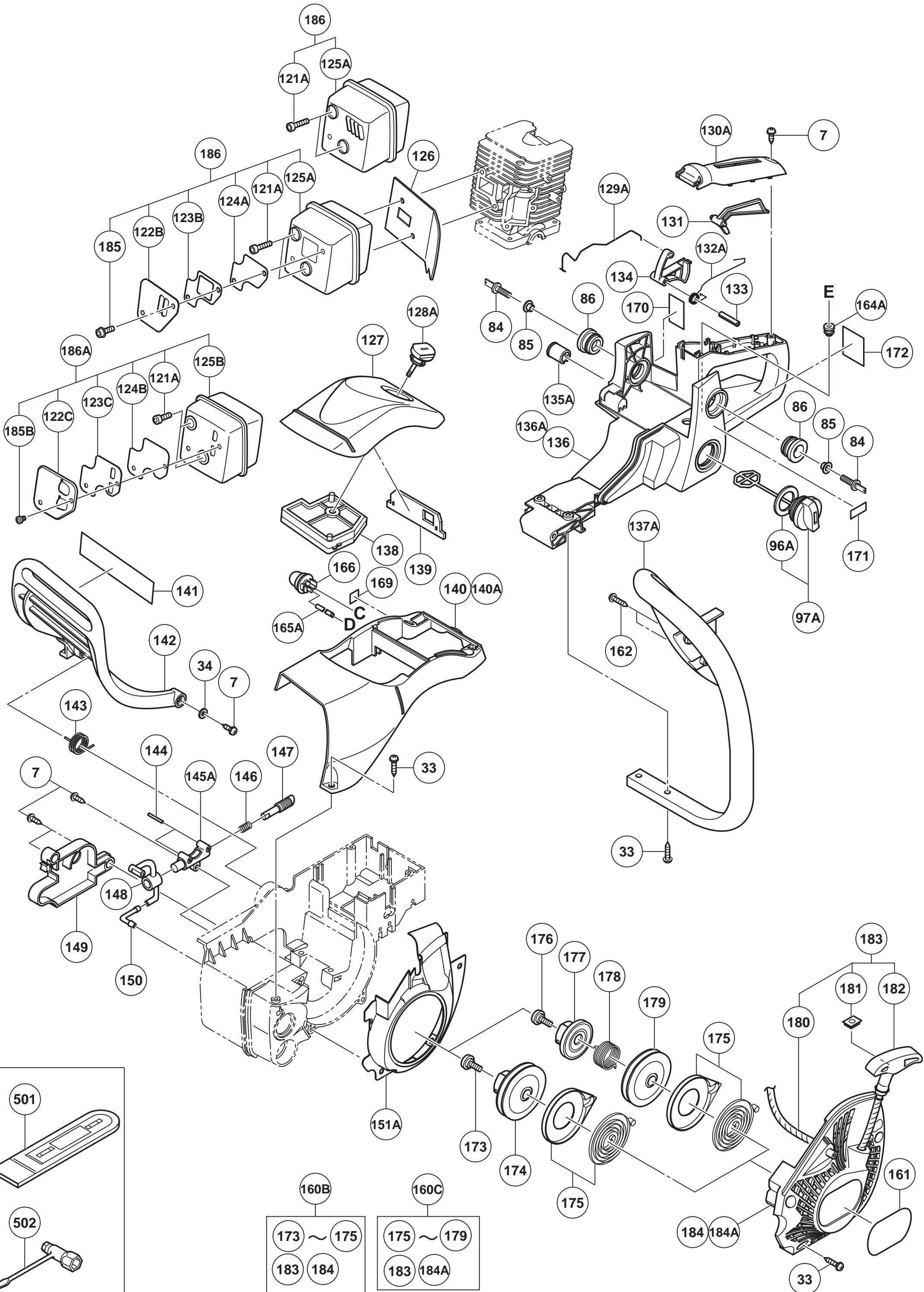


53B ~ 55A
67A 151A 188



MODEL
TCS33EB(2-2)