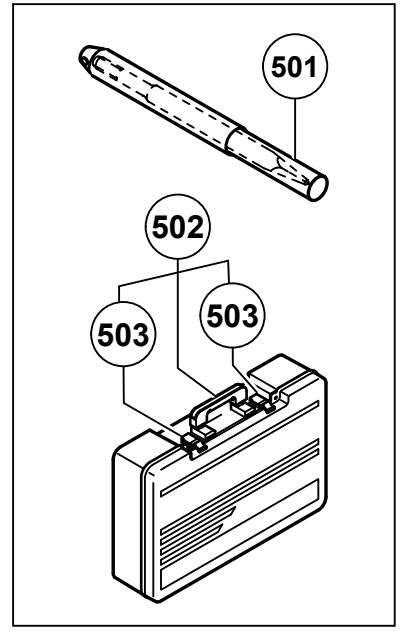


Rev.6
16.7.2020



MODEL
H45ME