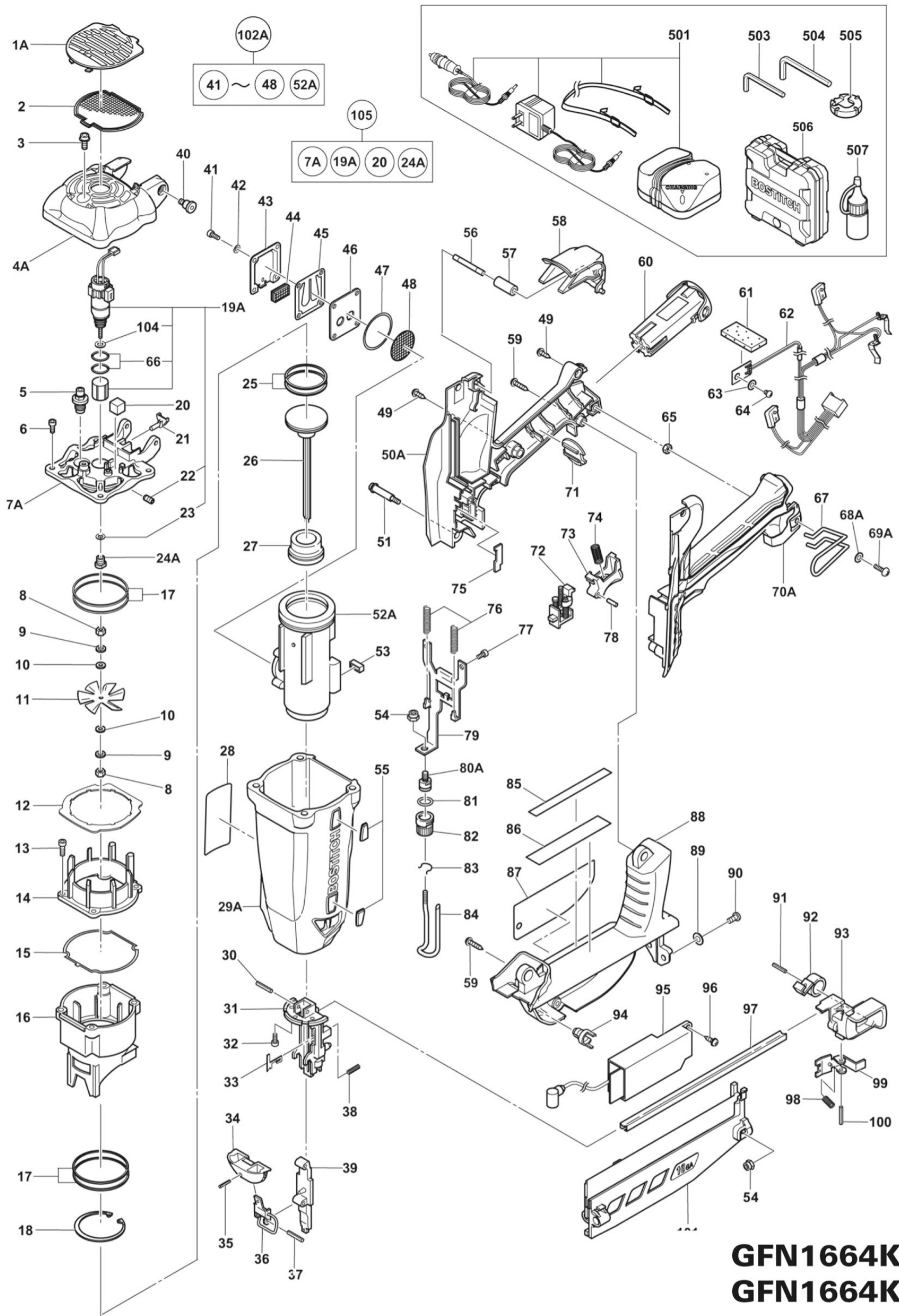


**GFN1664K**  
**16GA 2-1/2" Cordless Finish Nailer**  
**Clavadora neumática inalámbrica calibre 16**  
**para clavos de 2-1/2"**  
**Cloueuse de finition sans fil,**  
**63,5 mm de calibre 16**

IP1308-1RA 1/10  
 TO BE USED WITH PARTS LIST IP1308-2 AND OPERATION AND MAINTENANCE MANUAL 189774.

GFN1664K		Parts List:		IP1308-2REVA	
<b>To be Used with tool parts illustration:</b>				IP1308-1REVA	
<b>and operation and maintenance manual:</b>				189774	
<b>Serial Number on the Tool:</b>				Serial No.	<b>0000 and Higher</b>
ITEM	PART #	DESCRIPTION	ITEM	PART #	DESCRIPTION
1A	9R192230	FILTER COVER	55	9R192359	FRAME PROTECTOR
2	9R192231	FILTER MESH	56	9R192282	CELL PIN
3	9R192232	HX. SKT HD. BT (W/FLG) M5X10	57	9R192283	PIPE RUBBER
4A	9R192353	TOP COVER	58	9R192284	ACTUATOR
5	9R192234	SPARK PLUG (A)	59	9R192273	SLF T/S (W/FLG) D4X20 (BK)
6	9R192235	NYLOCK HX. SKT HD. BT M4X12	60A	9B12070R	BATTERY EBM 315 (USA,CAN)
7A	9R192236	CYLINDER HEAD	61	9R192286	SUPPORT (B)
8	9R192237	NUT M3	62	9R192287	HARNES, WIRE
9	9R192238	SPRING WHR M3	63	9R192288	WHR M4
10	9R192239	WHR M3	64	9R192289	MACHINE SCW M4X10
11	9R192240	FAN	65	9R192290	LOCK NUT M4 (BK)
12	9R192241	RUBBER PLATE	66	9R192331	O-RING
13	9R192242	HX. SKT HD. BT M4X16	67	9R192312	HOOK
14	9R192243	CHAMBER HEAD	68A	9R192313	WHR
15	9R192244	GASKET	69A	9R192314	TRUSS HD. SCW M4X25 (BK)
16	9R192245	CHAMBER	70A	9R192358	HANDLE (A)
17	9R192246	PISTON RING (B)	71	9R192292	TERMINAL SUPPORT
18	9R192247	RETAINING RING FOR D40 HOLE	72	9R192298	TRIGGER STOPPER ASS'Y
19A	9R192254	MOTOR ASS'Y	73	9R192294	TRIGGER
20	9R192248	PACKING	74	9R192293	TRIGGER SPRING
21	9R192249	ADAPTER	75	9R192296	CORD COVER PLATE
22	9R192250	HX. SKT SET SCW M4X5	76	9R192297	CHAMBER SPRING
23	9R192251	SHAFT RUBBER WHR	77	9R192299	SEAL LOCK HX. SKT HD. BT M4X10
24A	9R192252	SHAFT COVER	78	9R192295	PIN D3X20
25	9R192255	PISTON RING (A)	79	9R192300	PUSHING LEVER ARM
26	9R192149	PISTON	80A	9R192301	PUSHING LEVER PIECE
27	9R192257	PISTON BUMPER	81	9R192302	O-RING (S-8)
28	189793	PRODUCT LABEL	82	9R192375	ADJUSTER
29A	9R192162	HOUSING	83	9R192304	RATCHET SPRING
30	9R192167	PIN	84	9R192260	PUSHING LEVER (A)
31	9R192173	BLADE GUIDE	85	189788	LABEL, INDICATOR LIGHT
32	9R192262	SEAL LK HX. SKT HD. BT M4X12	86	189787	LABEL, CLEAN AND COOL
33	9R192174	LOCK PLATE	87	189786	WARNING LABEL
34	9R192204	LOCK LEVER COVER	88	9R192263	MAGAZINE COVER
35	9R192264	ROLL PIN D3X10	89	9R192310	BT WHR M5
36	9R192213	LOCK LEVER	90	9R192311	MACHINE SCW M5X15 (BK)
37	9R192261	ROLL PIN D3X16	91	9R192261	ROLL PIN D3X16
38	9R192233	LOCK SPRING	92	9R192316	RIBBON SPRING
39	9R192256	GUIDE PLATE	93	9R192363	NAIL FEEDER (B)
40	9R192253	HX. SHOULDER BT M5	94	9R192321	PRISM
41	9R192274	SEAL LOCK HX. SKT HD. BT M4X8	95	9R192322	CONTROLLER
42	9R192275	CONICAL SPRING H8	96	9R192323	SLF T/S (W/FLG) D4X12 (BK)
43	9R192276	BUFFER COVER	97	9R192324	NAIL RAIL
44	9R192277	MUFFLER	98	9R192325	PUSHING SPRING
45	9R192278	REED VALVE	99	9R192326	NAIL FEEDER (A)
46	9R192279	BUFFER PLATE	100	9R192327	ROLL PIN D2.5X24
47	9R192280	O-RING	101	9R192328	MAGAZINE
48	9R192281	MESH	102A	9R192329	CYLINDER ASS'Y (A)
49	9R192267	SLF T/S (W/FLG) D4X16 (BK)	104	9R192352	SHAFT WHR
50A	9R192357	HANDLE (B)	105	9R192330	CYLINDER HEAD ASS'Y
51	9R192269	HX. SHOULDER BT M4X32			
52A	9R192258	CYLINDER			
53	9R192270	CHAMBER STOP RUBBER			
54	9R192271	NYLON NUT M5			
STANDARD ACCESSORIES					
501	9B12071R	CHARGER (MODEL UC 3SML)			
503	106167	HEX. BAR WRENCH 3MM			
504	166038	HEX. BAR WRENCH 4MM			
505	9R192333	SOFT FOOT			
506	9R192364	CASE			
507	9R192226	LUBRICANT OILER			
508	189774RevA	CORDLESS GAS NAILER MANUAL			
509	192674-1RA	CLEANING GUIDE ILLUSTRATIONS			
509	192674-2RB	CLEANING GUIDE INSTRUCTIONS			



**GFN1664K-E**  
**GFN1664K-U**

For use with gas tool manual FT71696-45.

STANLEY

**BOSTITCH®**

[www.bostitch.eu](http://www.bostitch.eu)

GFN1664K		Parts List:		IP1308-2REVA-EU	
<b>To be Used with tool parts illustration:</b>					
<b>and operation and maintenance manual:</b>					
<b>Serial Number on the Tool:</b>					
				Serial No.	0000 and Higher
ITEM	PART#	DESCRIPTION	ITEM	PART#	DESCRIPTION
1A	9R192230	FILTER COVER	55	9R192359	FRAME PROTECTOR
2	9R192231	FILTER MESH	56	9R192282	CELL PIN
3	9R192232	HX. SKT HD. BT (W/FLG) M5X10	57	9R192283	PIPE RUBBER
4A	9R192353	TOP COVER	58	9R192284	ACTUATOR
5	9R192234	SPARK PLUG (A)	59	9R192273	SLF T/S (W/FLG) D4X20 (BK)
6	9R192235	NYLOCK HX. SKT HD. BT M4X12	60A	9B12070R-EU	BATTERY EBM 315 (EU)
7A	9R192236	CYLINDER HEAD	61	9R192286	SUPPORT (B)
8	9R192237	NUT M3	62	9R192287	HARNESS, WIRE
9	9R192238	SPRING WHR M3	63	9R192288	WHR M4
10	9R192239	WHR M3	64	9R192289	MACHINE SCW M4X10
11	9R192240	FAN	65	9R192290	LOCK NUT M4 (BK)
12	9R192241	RUBBER PLATE	66	9R192331	O-RING
13	9R192242	HX. SKT HD. BT M4X16	67	9R192312	HOOK
14	9R192243	CHAMBER HEAD	68A	9R192313	WHR
15	9R192244	GASKET	69A	9R192314	TRUSS HD. SCW M4X25 (BK)
16	9R192245	CHAMBER	70A	9R192358	HANDLE (A)
17	9R192246	PISTON RING (B)	71	9R192292	TERMINAL SUPPORT
18	9R192247	RETAINING RING FOR D40 HOLE	72	9R192298	TRIGGER STOPPER ASS'Y
19A	9R192254	MOTOR ASS'Y	73	9R192294	TRIGGER
20	9R192248	PACKING	74	9R192293	TRIGGER SPRING
21	9R192249	ADAPTER	75	9R192296	CORD COVER PLATE
22	9R192250	HX. SKT SET SCW M4X5	76	9R192297	CHAMBER SPRING
23	9R192251	SHAFT RUBBER WHR	77	9R192299	SEAL LOCK HX. SKT HD. BT M4X10
24A	9R192252	SHAFT COVER	78	9R192295	PIN D3X20
25	9R192255	PISTON RING (A)	79	9R192300	PUSHING LEVER ARM
26	9R192149	PISTON	80A	9R192301	PUSHING LEVER PIECE
27	9R192257	PISTON BUMPER	81	9R192302	O-RING (S-8)
28	FT71695-16	PRODUCT LABEL	82	9R192375	ADJUSTER
29A	9R192162	HOUSING	83	9R192304	RATCHET SPRING
30	9R192167	PIN	84	9R192260	PUSHING LEVER (A)
31	9R192173	BLADE GUIDE	85	FT71695-12	MAG. WARNING LABEL.
32	9R192262	SEAL LK HX. SKT HD. BT M4X12	86	FT71695-11	MAG. BATTERY LABEL
33	9R192174	LOCK PLATE	87	FT71695-10	WARNING LABEL
34	9R192204	LOCK LEVER COVER	88	9R192263	MAGAZINE COVER
35	9R192267	ROLL PIN D3X16	89	9R192310	BT WHR M5
36	9R192213	LOCK LEVER	90	9R192311	MACHINE SCW M5X15 (BK)
37	9R192261	ROLL PIN D3X16	91	9R192261	ROLL PIN D3X16
38	9R192233	LOCK SPRING	92	9R192316	RIBBON SPRING
39	9R192256	GUIDE PLATE	93	9R192363	NAIL FEEDER (B)
40	9R192253	HX. SHOULDER BT M5	94	9R192321	PRISM
41	9R192274	SEAL LOCK HX. SKT HD. BT M4X8	95	9R192322	CONTROLLER
42	9R192275	CONICAL SPRING H8	96	9R192323	SLF T/S (W/FLG) D4X12 (BK)
43	9R192276	BUFFER COVER	97	9R192324	NAIL RAIL
44	9R192277	MUFFLER	98	9R192325	PUSHING SPRING
45	9R192278	REED VALVE	99	9R192326	NAIL FEEDER (A)
46	9R192279	BUFFER PLATE	100	9R192327	ROLL PIN D2.5X26
47	9R192280	O-RING	101	9R192328	MAGAZINE
48	9R192281	MESH	102A	9R192329	CYLINDER ASS'Y (A)
49	9R192267	SLF T/S (W/FLG) D4X16 (BK)	104	9R192352	SHAFT WHR
50A	9R192357	HANDLE (B)	105	9R192330	CYLINDER HEAD ASS'Y
51	9R192269	HX. SHOULDER BT M4X32			
52A	9R192258	CYLINDER			
53	9R192270	CHAMBER STOP RUBBER			
54	9R192271	NYLON NUT M5			
<b>STANDARD ACCESSORIES</b>					
501a	9B12071R-E	EU CHARGER (MODEL UC 3SML)			
501b	9B12071R-U	UK CHARGER (MODEL UC 3SML)			
503	106167	HEX. BAR WRENCH 3MM			
504	166038	HEX. BAR WRENCH 4MM			
505	9R192333	SOFT FOOT			
506	9R192364	CASE			
507	SB-20CL	LUBRICANT OILER			
508	FT71695-45	CORDLESS GAS NAILER MANUAL			
509	FT71695-47	MANUAL ILLUSTRATIONS			