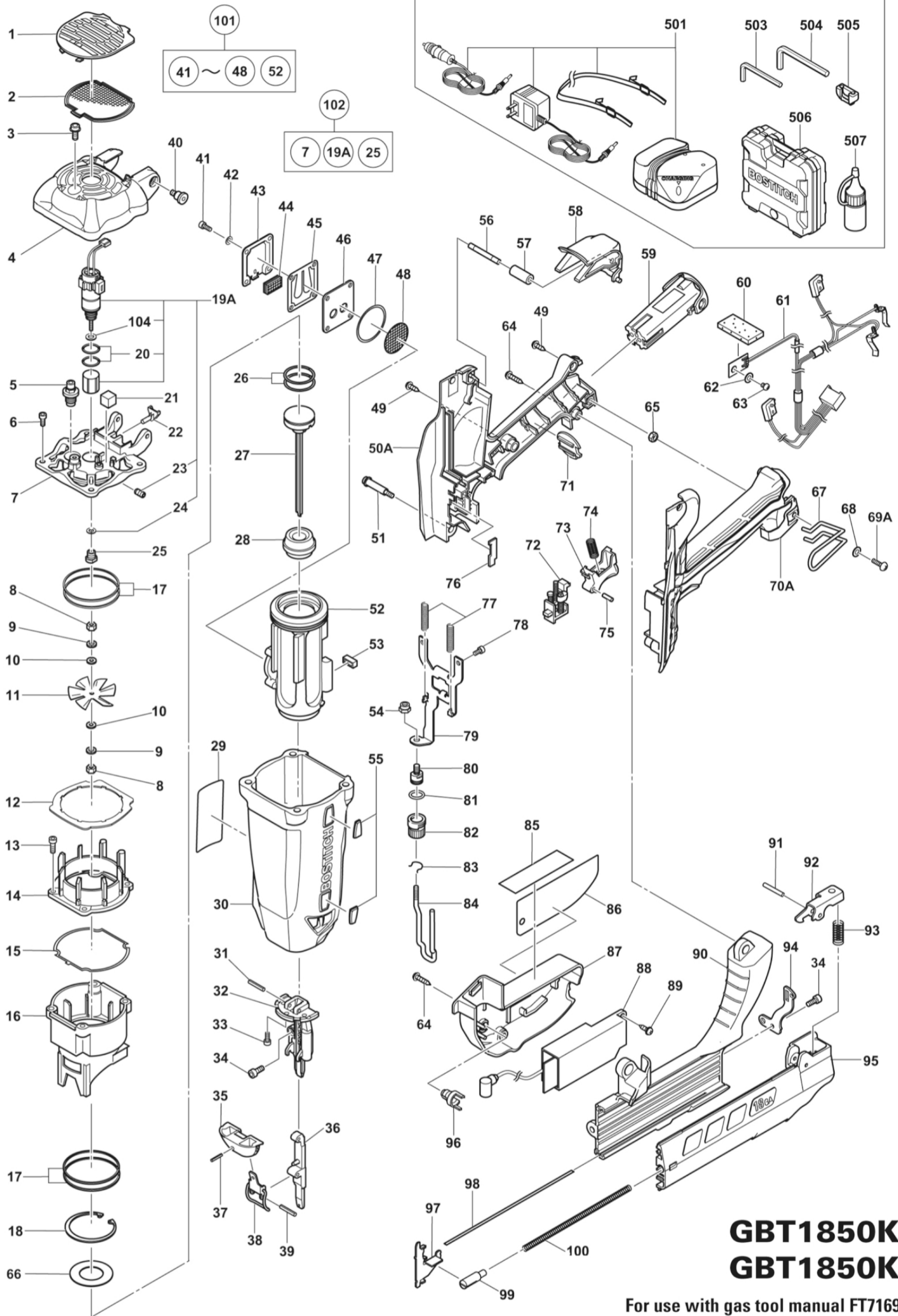


GBT1850K

18GA Straight 2" Cordless Brad Nailer
Clavadora de puntillas recta inalámbrica
calibre 18 para puntillas de 2"
Cloueuse de finition droite pour clou à tête perdue,
50,8 mm de calibre 18

IP1309-1RB 1/10
 TO BE USED WITH PARTS LIST IP1309-2 AND OPERATION AND MAINTENANCE MANUAL 189774.

GBT1850K		Parts List:		IP1309-2REVA	
To be Used with tool parts illustration:					
and operation and maintenance manual:					
Serial Number on the Tool:				000 and Higher	
ITEM	PART #	DESCRIPTION	ITEM	PART #	DESCRIPTION
1	9R192230	FILTER COVER	55	9R192359	FRAME PROTECTOR
2	9R192231	FILTER MESH	56	9R192282	CELL PIN
3	9R192232	HX. SKT HD. BT (W/FLG) M5X10	57	9R192283	PIPE RUBBER
4	9R192353	TOP COVER	58	9R192284	ACTUATOR
5	9R192234	SPARK PLUG (A)	59	9B12070R	BATTERY EBM 315 (USA,CAN)
6	9R192235	NYLOCK HX. SKT HD. BT M4X12	60	9R192286	SUPPORT (B)
7	9R192236	CYLINDER HEAD	61	9R192287	HARNESS, WIRE
8	9R192237	NUT M3	62	9R192288	WASHER M4
9	9R192238	SPRING WASHER M3	63	9R192289	MACHINE SCREW M4X10 (10 PCS.)
10	9R192239	WASHER M3	64	9R192273	SLF T/S (W/FLG) D4X20 (BLK)
11	9R192240	FAN	65	9R192290	LOCK NUT M4 (BLK)
12	9R192241	RUBBER PLATE	66	9R192348	CYLINDER PLATE
13	9R192242	HX. SKT HD. BT M4X16	67	9R192312	HOOK
14	9R192243	CHAMBER HEAD	68	9R192313	WASHER
15	9R192244	GASKET	69A	9R192314	TRUSS HD. SCREW M4X25 (BLK)
16	9R192245	CHAMBER	70A	9R192358	HANDLE (A)
17	9R192246	PISTON RING (B)	71	9R192292	TERMINAL SUPPORT
18	9R192247	RETAINING RING FOR D40 HOLE	72	9R192298	TRIGGER STOPPER ASSY
19A	9R192254	MOTOR ASS'Y	73	9R192294	TRIGGER
20	9R192331	O-RING	74	9R192293	TRIGGER SPRING
21	9R192248	PACKING	75	9R192295	PIN D3X20
22	9R192249	ADAPTER	76	9R192296	CORD COVER PLATE
23	9R192250	HX. SKT SET SCREW M4X5	77	9R192297	CHAMBER SPRING
24	9R192251	SHAFT RUBBER WASHER	78	9R192299	SEAL LOCK HX. SKT HD. BT M4X10
25	9R192252	SHAFT COVER	79	9R192308	PUSHING LEVER ARM
26	9R192265	PISTON RING (A)	80	9R192301	PUSHING LEVER PIECE
27	9R192266	PISTON	81	9R192302	O-RING
28	9R192268	PISTON BUMPER	82	9R192309	ADJUSTER
29	189792	PRODUCT LABEL	83	9R192304	RATCHET SPRING
30	9R192259	HOUSING	84	9R192315	PUSHING LEVER(A)
31	9R192167	PIN	85	189787	LABEL, CLEAN AND COOL
32	9R192272	BLADE GUIDE	86	189786	LABEL, WARNING
33	9R192262	SEAL LOCK HX. SKT HD. BT M4X12	87	9R192332	CONTROL COVER
34	9R192291	NYLOCK HX. SKT HD. BT M4X10	88	9R192322	CONTROLLER
35	9R192204	LOCK LEVER COVER	89	9R192323	SLF T/S (W/FLG) D4X12 (BLK)
36	9R192303	GUIDE PLATE	90	9R192317	MAGAZINE
37	9R192264	ROLL PIN D3X10	91	9R192318	ROLL PIN D3X20
38	9R192305	LOCK LEVER	92	9R192334	STOP LEVER
39	9R192261	ROLL PIN D3X16	93	9R192341	SPRING
40	9R192253	HX. SHOULDER BT M5	94	9R192342	PLATE
41	9R192274	SEAL LOCK HX. SKT HD. BT M4X8	95	9R192343	MAGAZINE COVER
42	9R192275	CONICAL SPRING H8	96	9R192321	PRISM
43	9R192276	BUFFER COVER	97	9R192344	NAIL FEEDER
44	9R192277	MUFFLER	98	9R192345	NAIL PLATE
45	9R192278	REED VALVE	99	9R192346	FEEDER PIECE
46	9R192279	BUFFER PLATE	100	9R192347	FEED SPRING
47	9R192280	O-RING	101	9R192387	CYLINDER ASSY
48	9R192281	MESH	102	9R192330	CYLINDER HEAD ASSY
49	9R192267	SLF T/S (W/FLG) D4X16 (BLK)	104	9R192352	SHAFT WASHER
50A	9R192357	HANDLE (B)			
51	9R192269	HX. SHOULDER BT M4X32			
52	9R192306	CYLINDER			
53	9R192270	CHAMBER STOP RUBBER			
54	9R192271	NYLON NUT M5			
STANDARD ACCESSORIES					
501	9B12071R	CHARGER (MODEL UC 3SML)			
503	106167	HEX. BAR WRENCH 3MM			
504	166038	HEX. BAR WRENCH 4MM			
505	9R192394	SOFT FOOT			
506	9R192366	CASE			
507	9R192226	LUBRICANT OILER			
508	192674RA	CLEANING GUIDE			
508	189774RevA	CORDLESS GAS NAILER MANUAL			
509	192674-1RA	CLEANING GUIDE ILLUSTRATIONS			
509	192674-2RB	CLEANING GUIDE INSTRUCTIONS			



GBT1850K-E
GBT1850K-U

For use with gas tool manual FT71696-45.

STANLEY

BOSTITCH®

www.bostitch.eu

GBT1850K		Parts List: IP1309-2REVA-EU			
To be Used with tool parts illustration: FT71695-47					
and operation and maintenance manual: FT71695-45					
Serial Number on the Tool:				000 and Higher	
ITEM	PART#	DESCRIPTION	ITEM	PART#	DESCRIPTION
1	9R192230	FILTER COVER	55	9R192359	FRAME PROTECTOR
2	9R192231	FILTER MESH	56	9R192282	CELL PIN
3	9R192232	HX. SKT HD. BT (W/FLG) M5X10	57	9R192283	PIPE RUBBER
4	9R192353	TOP COVER	58	9R192284	ACTUATOR
5	9R192234	SPARK PLUG (A)	59	9B12070R-EU	BATTERY EBM 315 (EU)
6	9R192235	NYLOCK HX. SKT HD. BT M4X12	60	9R192286	SUPPORT (B)
7	9R192236	CYLINDER HEAD	61	9R192287	HARNESS, WIRE
8	9R192237	NUT M3	62	9R192288	WASHER M4
9	9R192238	SPRING WASHER M3	63	9R192289	MACHINE SCREW M4X10 (10 PCS.)
10	9R192239	WASHER M3	64	9R192273	SLF T/S (W/FLG) D4X20 (BLK)
11	9R192240	FAN	65	9R192290	LOCK NUT M4 (BLK)
12	9R192241	RUBBER PLATE	66	9R192348	CYLINDER PLATE
13	9R192242	HX. SKT HD. BT M4X16	67	9R192312	HOOK
14	9R192243	CHAMBER HEAD	68	9R192313	WASHER
15	9R192244	GASKET	69A	9R192314	TRUSS HD. SCREW M4X25 (BLK)
16	9R192245	CHAMBER	70A	9R192358	HANDLE (A)
17	9R192246	PISTON RING (B)	71	9R192292	TERMINAL SUPPORT
18	9R192247	RETAINING RING FOR D40 HOLE	72	9R192298	TRIGGER STOPPER ASS'Y
19A	9R192254	MOTOR ASS'Y	73	9R192294	TRIGGER
20	9R192331	O-RING	74	9R192293	TRIGGER SPRING
21	9R192248	PACKING	75	9R192295	PIN D3X20
22	9R192249	ADAPTER	76	9R192296	CORD COVER PLATE
23	9R192250	HX. SKT SET SCREW M4X5	77	9R192297	CHAMBER SPRING
24	9R192251	SHAFT RUBBER WASHER	78	9R192299	SEAL LOCK HX. SKT HD. BT M4X10
25	9R192252	SHAFT COVER	79	9R192308	PUSHING LEVER ARM
26	9R192265	PISTON RING (A)	80	9R192301	PUSHING LEVER PIECE
27	9R192266	PISTON	81	9R192302	O-RING
28	9R192268	PISTON BUMPER	82	9R192309	ADJUSTER
29	FT71695-15	PRODUCT LABEL	83	9R192304	RATCHET SPRING
30	9R192259	HOUSING	84	9R192315	PUSHING LEVER(A)
31	9R192167	PIN	85	FT71695-50	MAG. BATTERY LABEL
32	9R192272	BLADE GUIDE	86	FT71695-10	LABEL, WARNING
33	9R192262	SEAL LOCK HX. SKT HD. BT M4X12	87	9R192332	CONTROL COVER
34	9R192291	NYLOCK HX. SKT HD. BT M4X10	88	9R192322	CONTROLLER
35	9R192204	LOCK LEVER COVER	89	9R192323	SLF T/S (W/FLG) D4X12 (BLK)
36	9R192303	GUIDE PLATE	90	9R192317	MAGAZINE
37	9R192264	ROLL PIN D3X10	91	9R192318	ROLL PIN D3X20
38	9R192305	LOCK LEVER	92	9R192334	STOP LEVER
39	9R192261	ROLL PIN D3X16	93	9R192341	SPRING
40	9R192253	HX. SHOULDER BT M5	94	9R192342	PLATE
41	9R192274	SEAL LOCK HX. SKT HD. BT M4X8	95	9R192343	MAGAZINE COVER
42	9R192275	CONICAL SPRING H8	96	9R192321	PRISM
43	9R192276	BUFFER COVER	97	9R192344	NAIL FEEDER
44	9R192277	MUFFLER	98	9R192345	NAIL PLATE
45	9R192278	REED VALVE	99	9R192346	FEEDER PIECE
46	9R192279	BUFFER PLATE	100	9R192347	FEED SPRING
47	9R192280	O-RING	101	9R192387	CYLINDER ASS'Y
48	9R192281	MESH	102	9R192330	CYLINDER HEAD ASS'Y
49	9R192267	SLF T/S (W/FLG) D4X16 (BLK)	104	9R192352	SHAFT WASHER
50A	9R192357	HANDLE (B)			
51	9R192269	HX. SHOULDER BT M4X32			
52	9R192306	CYLINDER			
53	9R192270	CHAMBER STOP RUBBER			
54	9R192271	NYLON NUT M5			
STANDARD ACCESSORIES					
501a	9B12071R-E	EU CHARGER (MODEL UC 3SML)			
501b	9B12071R-U	UK CHARGER (MODEL UC 3SML)			
503	106167	HEX. BAR WRENCH 3MM			
504	166038	HEX. BAR WRENCH 4MM			
505	9R192394	SOFT FOOT			
506	9R192366	CASE			
507	SB-20CL	LUBRICANT OILER			