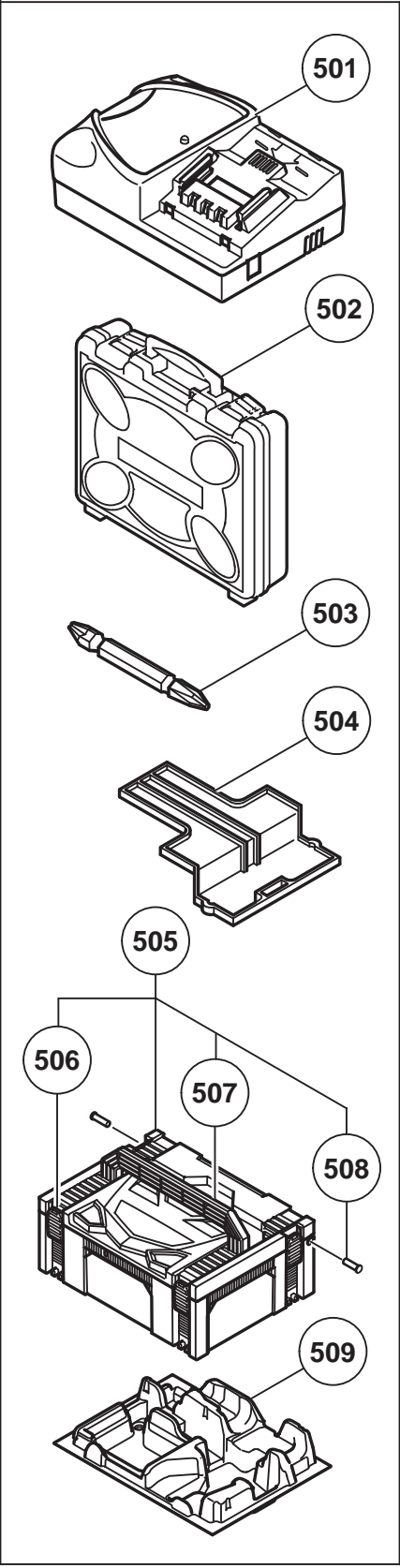


3B
4 ~ 8B 10 ~ 19A 21B ~ 28



MODEL
DS14DSL