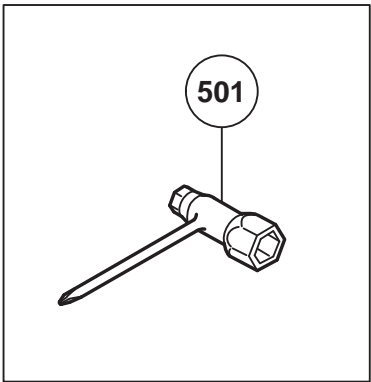


- | | |
|------|-----------|
| 165 | 177 ~ 181 |
| 186A | 194 ~ 199 |



MODEL
CH22EC2(2/3)

