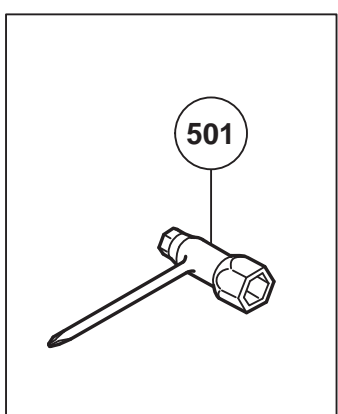


- 169B
- | | |
|------|-----------|
| 163 | 172 ~ 176 |
| 185A | 193 ~ 198 |



MODEL
CH22EB2(2/2)