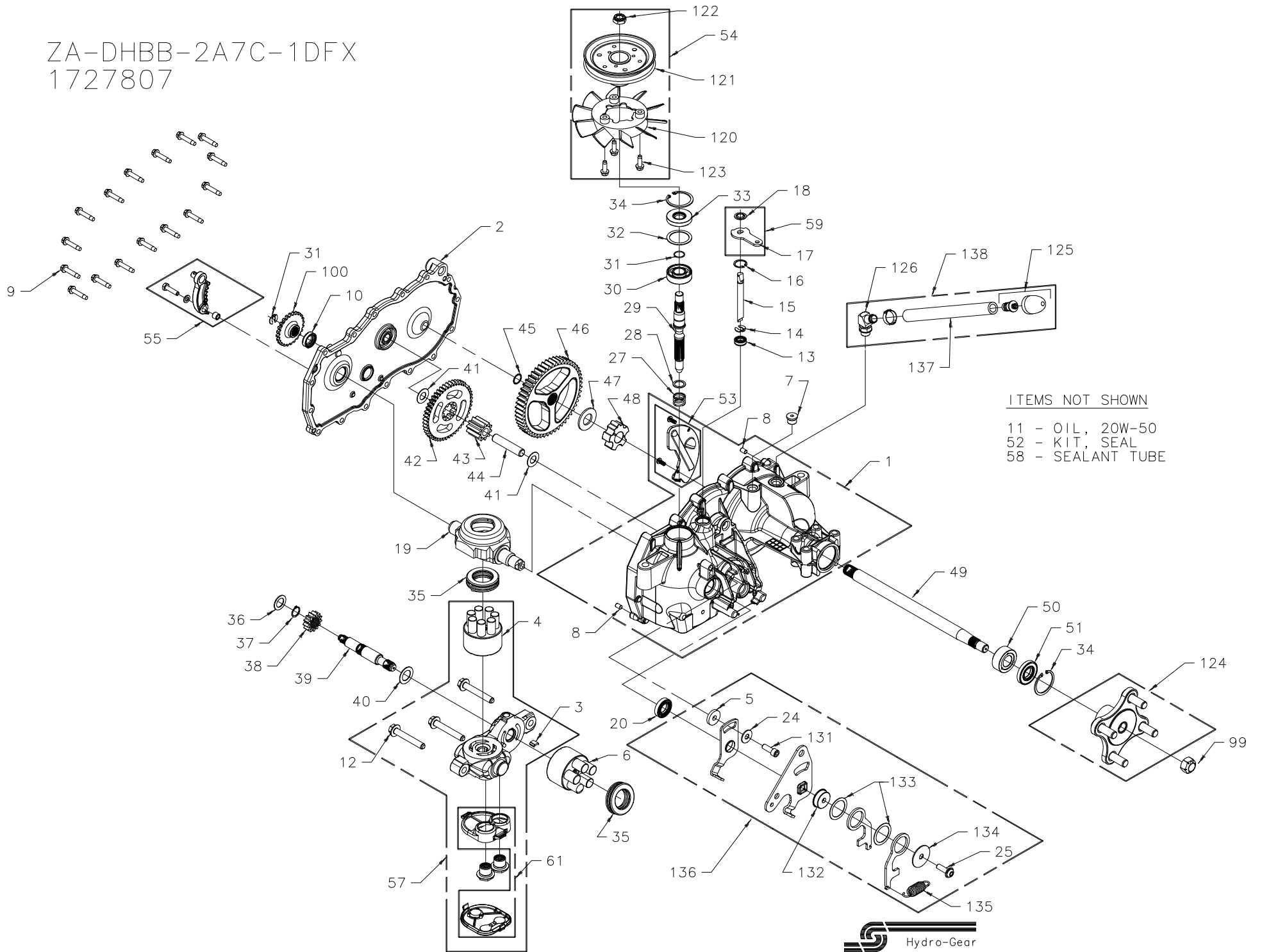


ZA-DHBB-2A7C-1DFX  
1727807



ITEMS NOT SHOWN

- 11 - OIL, 20W-50
- 52 - KIT, SEAL
- 58 - SEALANT TUBE



# ZA-DHBB-2A7C-1DFX 1727807

ITEM	PART #	QTY	DESCRIPTION
1	70862L	1	ASSEMBLY, MAIN HOUSING-LH HOUSING, MAIN LH-MACHINED BUSHING, .865 X .985 X .790 PLATE, EXPANSION LH SCREW, 10-32 X 1/2 (SELF-TAPPING) PIN, STANDARD, HEADLESS SEALANT TUBE, 10.3 oz SEAL, LIP .375 X .75 X .25 BEARING-JOURNAL SEAL, LIP .50* X .88* X .25* SEAL, LIP 18 X 32 X 7
2	70863L	1	ASSEMBLY, SIDE-LH HOUSING, SIDE LH-MACHINED BUSHING, .865 X .985 X .790
3	51448	1	PLATE, BYPASS
4	70723	1	ASSEMBLY, BLOCK 7 PISTON BLOCK, CYL PISTON SPRING, COMP WASHER, THRUST .370 X .047
5	51949	1	SPACER
6	70331	1	ASSEMBLY, BLOCK BLOCK, CYLINDER PISTON SPRING, COMPRESSION WASHER, THRUST
7	9005110-5600	1	PLUG, SAE #6
8	9004800-2506	2	PIN, STAINLESS, HEADLESS
9	51190	16	HFHCS 1/4-20 X 1.25 (SELF-TAPPING)
10	70719	1	KIT, BRAKE SEAL
11		56 oz.	OIL, 20W-50
12	50016	3	BOLT, HEX FLANGE 3/8-24 X 2.5
13	51626	1	SEAL, LIP .375 X .75 X .25
14	51628	2	RING, RETAINING .375 EXT
15	51625	1	ROD, BYPASS
16	51627	1	RING, RETAINING .750 INT
17	51629	1	ARM, BYPASS
18	51630	1	RING, RETAINING .375 EXT (PUSHNUT)
19	51048	1	SWASHPLATE, TRUNNION, MACHINED
20	51140	1	SEAL, LIP 18 X 32 X 7
24	44130	1	WASHER, FLAT 11/32 ID X 7/8 OD X 1/16
25	51812	1	TWHCS 5/16-24 X 1.0
27	2003014	1	SPRING-HELICAL COMPRESSION
28	2003017	1	WASHER .591 X .787 X .040
29	51062	1	SHAFT, INPUT
30	50315	1	BEARING, BALL 17MM ID X 40MM OD X 12MM
31	2000022	1	RING, RETAINING WIRE .561 ID
32	50951	1	SPACER
33	51161	1	SEAL, LIP 17 X 40 X 7
34	50329	2	RING, RETAINING

ITEM	PART #	QTY	DESCRIPTION
35	50551	2	BEARING, THRUST 30 X 52 X 13
36	44371	1	WASHER, FLAT 5/8 ID X 1.0 OD X .05
37	44145	1	RING, RETAINING
38	51130	1	GEAR, PINION, 13T
39	51632	1	SHAFT, MOTOR
40	51069	1	WASHER, MOTOR SHAFT .71 ID X 1.16 OD X .04
41	50132	2	WASHER, HT .5 ID X 1.0 OD X .032
42	51129	1	GEAR, 10T/48T
43	51043	1	GEAR, 10T JACKSHAFT
44	51083	1	PIN, JACKSHAFT
45	44871	1	RING, SPIRAL RETAINING
46	51633	1	GEAR, 52T BULL
47	44875	1	WASHER, 3/4 ID X 1-1/2 OD X .13
48	51088	1	BEARING, SLEEVE (INBOARD)
49	51954	1	SHAFT, AXLE 1.00/.75 X 12.4 (FLANGE)
50	51089	1	BUSHING, 1.003 X 1.571 X .625
51	51066	1	LIP SEAL 1.00 X 1.577 X .25
52	70853	1	KIT, SEAL SEAL, LIP .625 X 1.000 X .250 SEAL, LIP .375 X .75 X .25 SEAL, LIP 18 X 32 X 7 SEAL, LIP 17 X 40 X 7 SEAL, LIP .750 X 1.577 X .250 SEAL, LIP 1.00 X 1.577 SEAL, LIP .50 X .88 X .25 RING, RETAINING .375 EXT RING, RETAINING .750 INT RING, RETAINING .375 EXT RING, RETAINING 1.56 INT RING, RETAINING WIRE .561 RING, RETAINING .62 EXT RING, RETAINING, SPIRAL
53	70868L	1	KIT, EXPANSION PLATE, LH PLATE, EXPANSION LH SCREW, 10-32 X 1/2 (SELF-TAPPING)
54	70591	1	KIT, FAN-PULLEY FAN, 6", 10 BLADE PULLEY, 4.5" NUT, HEX LOCK 1/2-20 (NYLON INSERT) SCREW, HEX WASHER HEAD TAPPING 1/4-20 X .75
55	71070	1	KIT, BRAKE ARM - RH ARM, PARKING BRAKE WASHER .28 X .50 X .063 BOLT, 1/4-20 X 1 W/PATCH BUSHING, .260 X .394 X .330 CLEVIS PIN
57	71142	1	KIT, CENTER SECTION CENTER SECTION, LH BUSHING, .707 X .788 X .591 PLATE, BYPASS HGCS 3/8-24 X 2.5 (PATCH) BASE, FILTER CHK PLUG ASSY/WASHER, .027* ASSEMBLY, FILTER COVER SPRING, COMP PISTON BLOCK, CYL WASHER, THRUST .370 X .047

ITEM	PART #	QTY	DESCRIPTION
58	50928	1	SEALANT TUBE, 10.3 oz
59	70891	1	KIT, BYPASS ARM ARM, BYPASS RING, RETAINING .375 EXT (PUSHNUT)
61	70911	1	KIT, FILTER FILTER, BASE ASSEMBLY, COVER
99	51901	1	NUT, HEX 9/16-18
100	51635	1	DISC, COG BRAKE
120	51365	1	FAN, 6", 10 BLADE
121	50302	1	HUB PULLEY KIT 4.5"
122	51244	1	HEX LOCK NUT, 1/2-20 (NYLON INSERT)
123	50752	3	HEX WASHER HEAD TAPPING SCREW 1/4-20 X .25
124	71093	1	HUB ASSEMBLY, 1/2-20 HUB STUD, 1/2-20 X 1.5 (RIB NECK)
125	70921	1	CAP-VENT ASS'Y. PLASTIC VENT CAP-POPPET VALVE
126	50604	1	FITTING-0 RING ASS'Y (60°)
131	51616	1	SHCS, 5/16-24 x 1.00 (PATCH)
132	51947	1	BUSHING, PILOT, 1.125
133	51948	2	WASHER, PLASTIC
134	51950	1	WASHER, 1.5 X .34 X .062
135	51399	1	SPRING, EXTENSION
136	71095	1	KIT, RTN ASSEMBLY, RH SHCS, 5/16-24 x 1.00 (PATCH) BUSHING, PILOT, 1.125 WASHER, PLASTIC WASHER, 1.5 X .34 X .062 SPRING, EXTENSION SPACER ARM, NEUTRAL, RH ARM, CONTROL, RH ARM SCISSOR
			WASHER, FLAT 11/32 ID X 7/8 OD X 1/16 TWHCS 5/16-24 X 1.0
137	50594	1	HOSE, .5 X 8.75
138	71306	1	KIT, BREATHER ASSEMBLY CAP, VENT ASSEMBLY HOSE, .5 X 8.75 FITTING, O-RING ASSEMBLY

